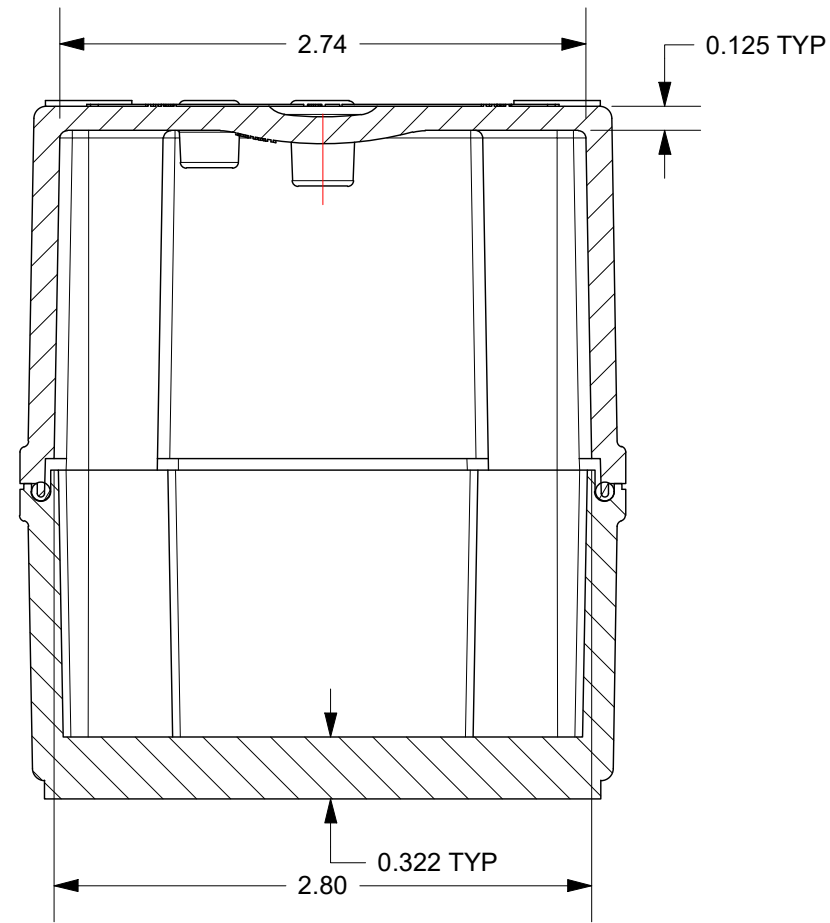
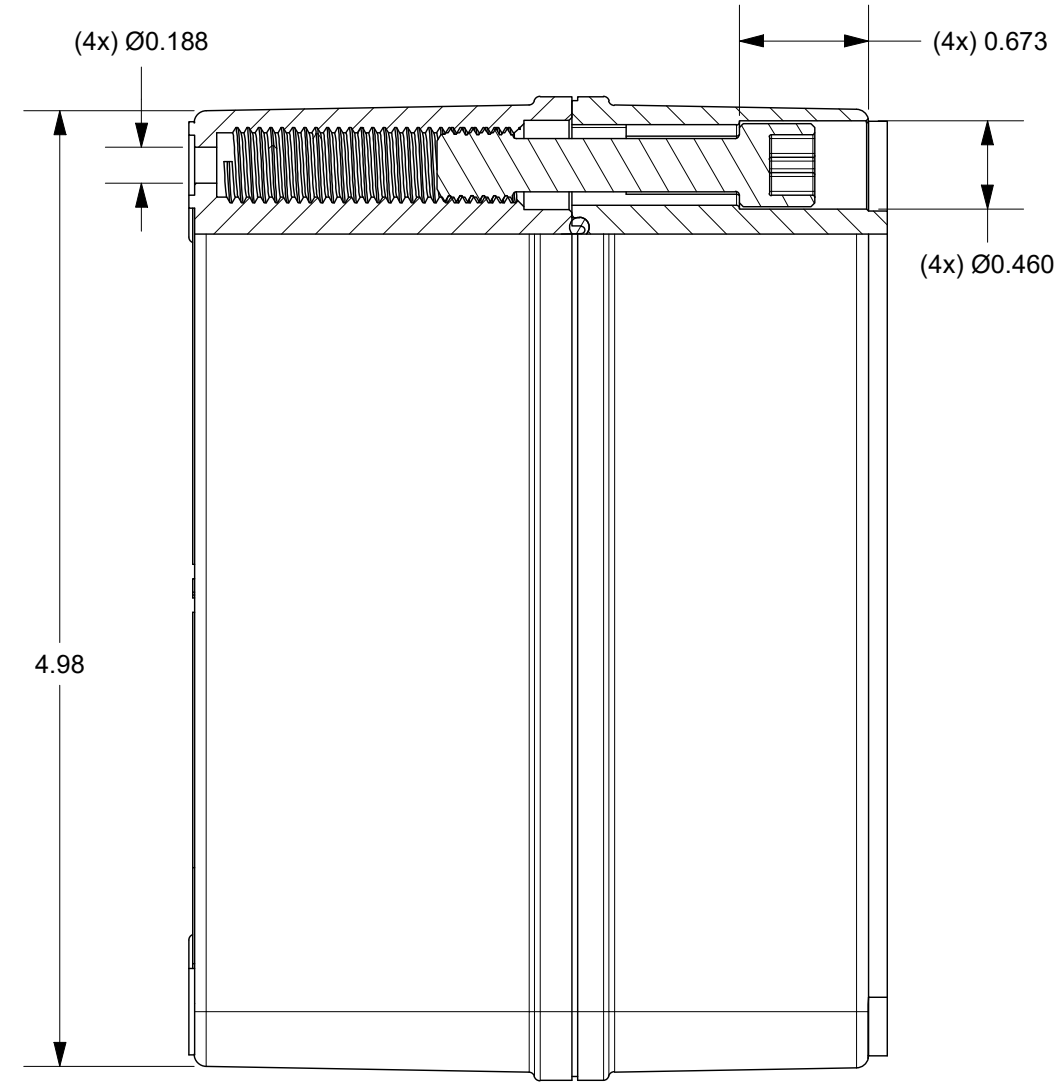
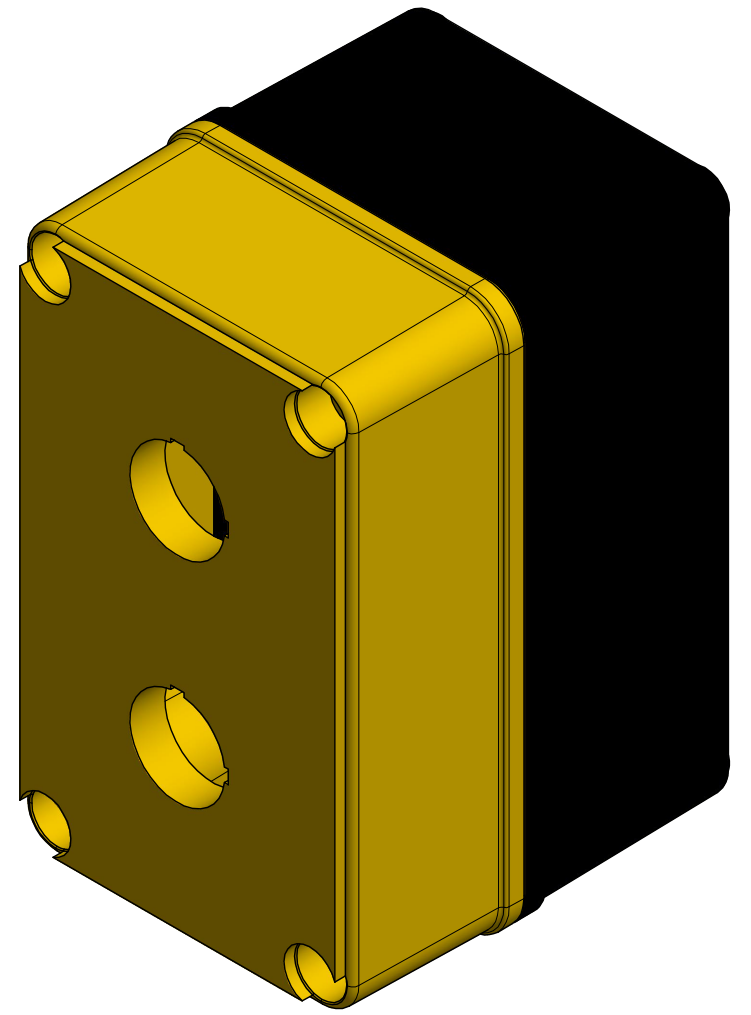


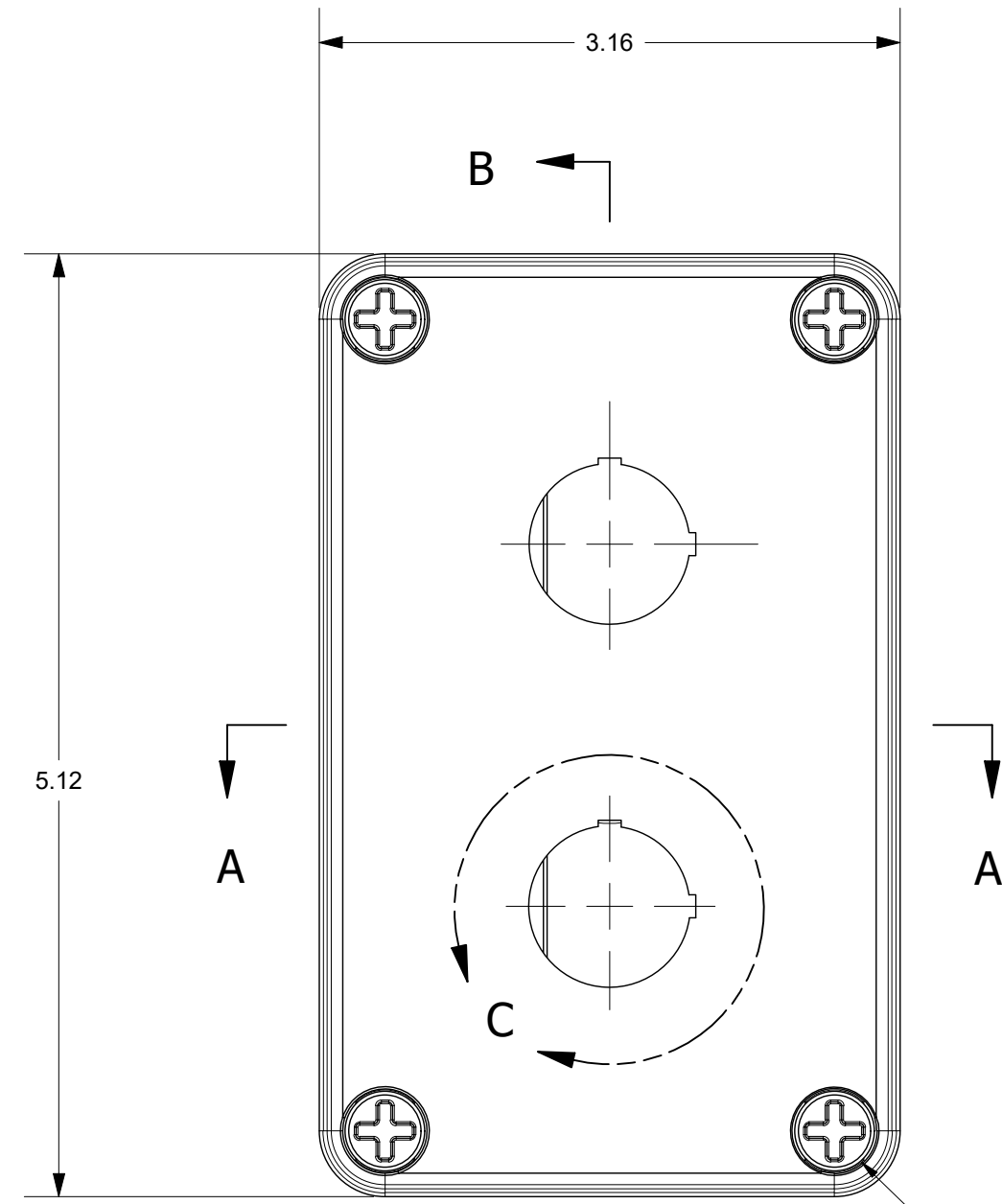
DETAIL C
SOME DETAILS REMOVED FOR CLARITY
(2X)



SECTION A-A

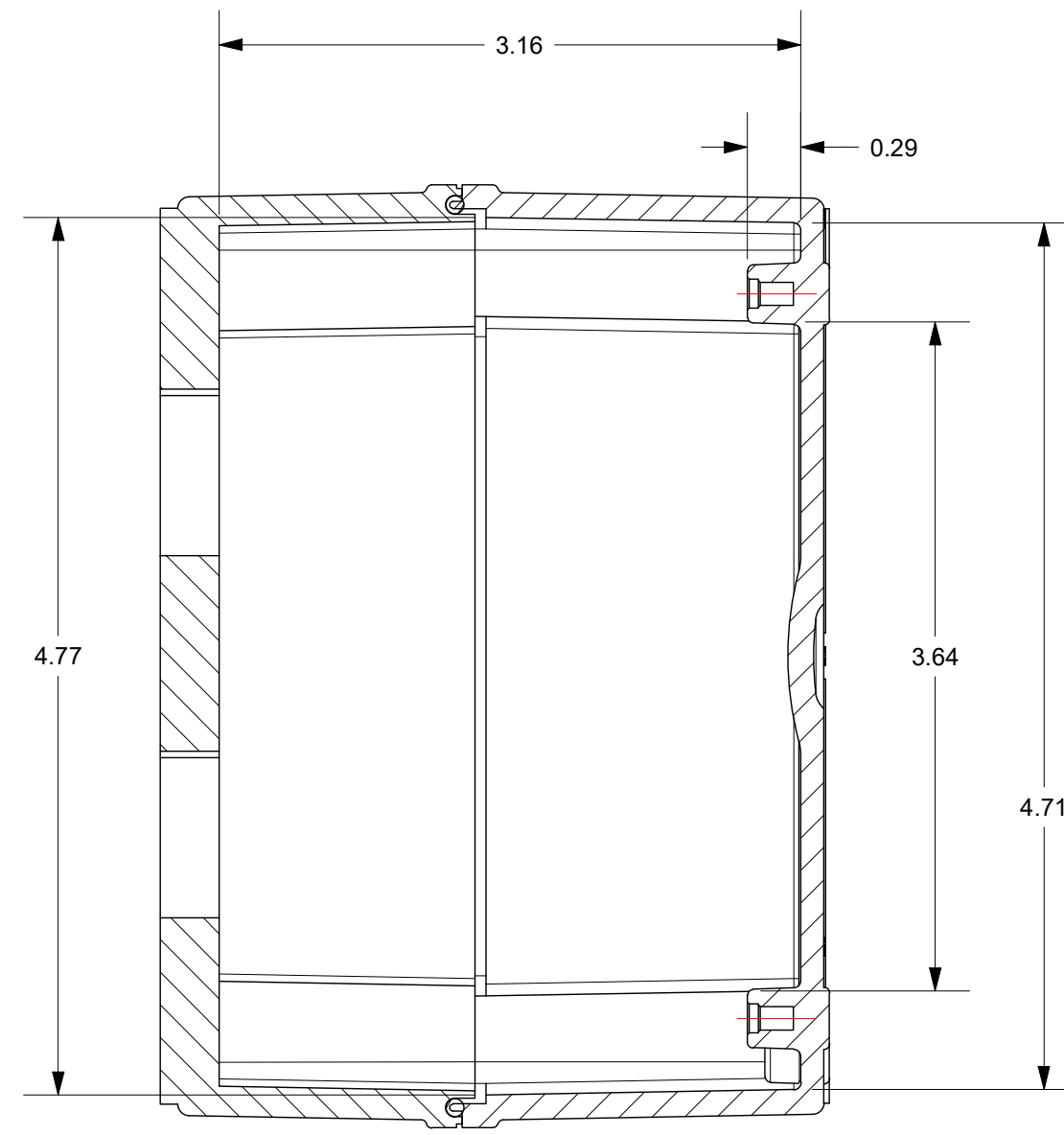


LEFT VIEW

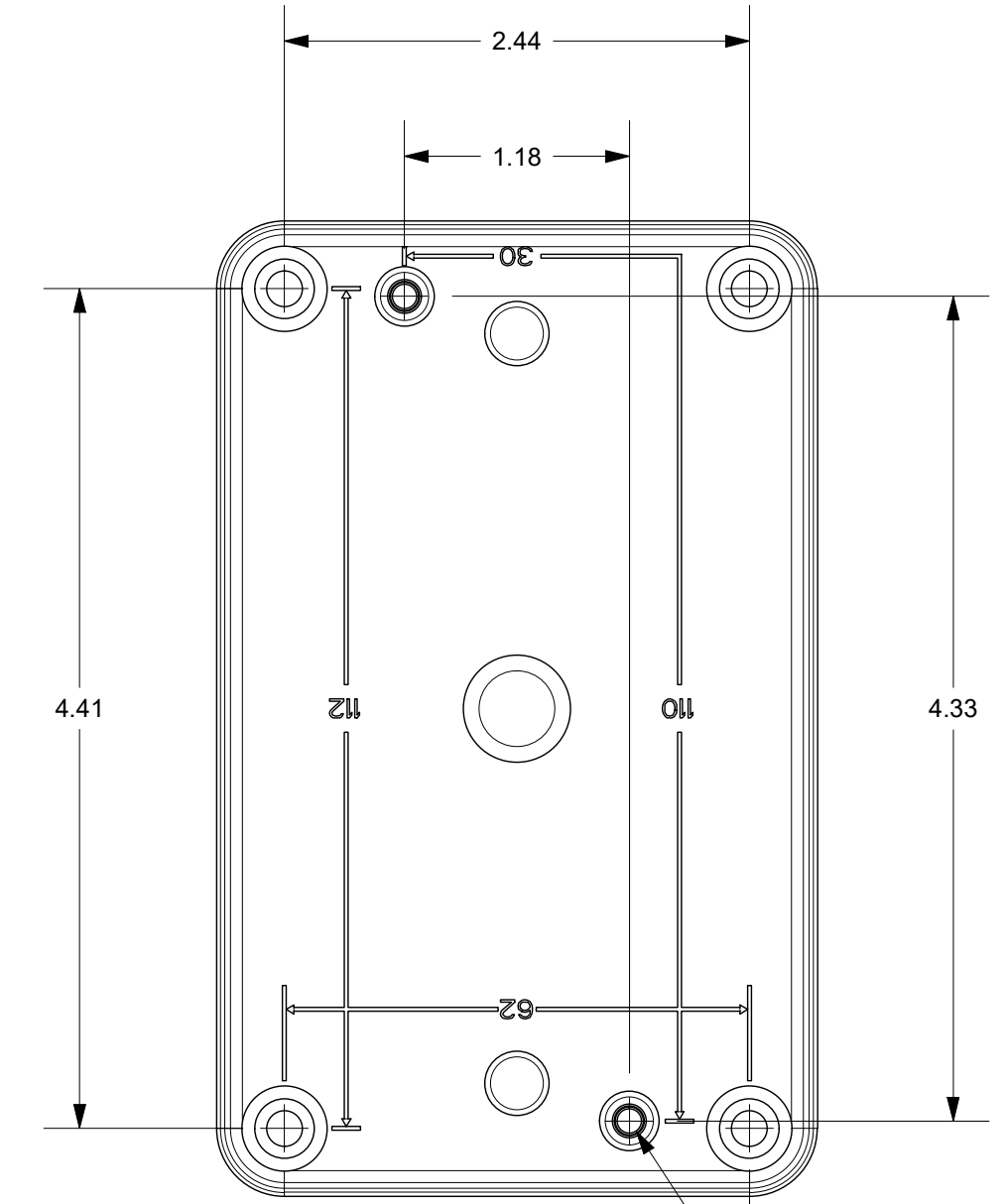


FRONT VIEW

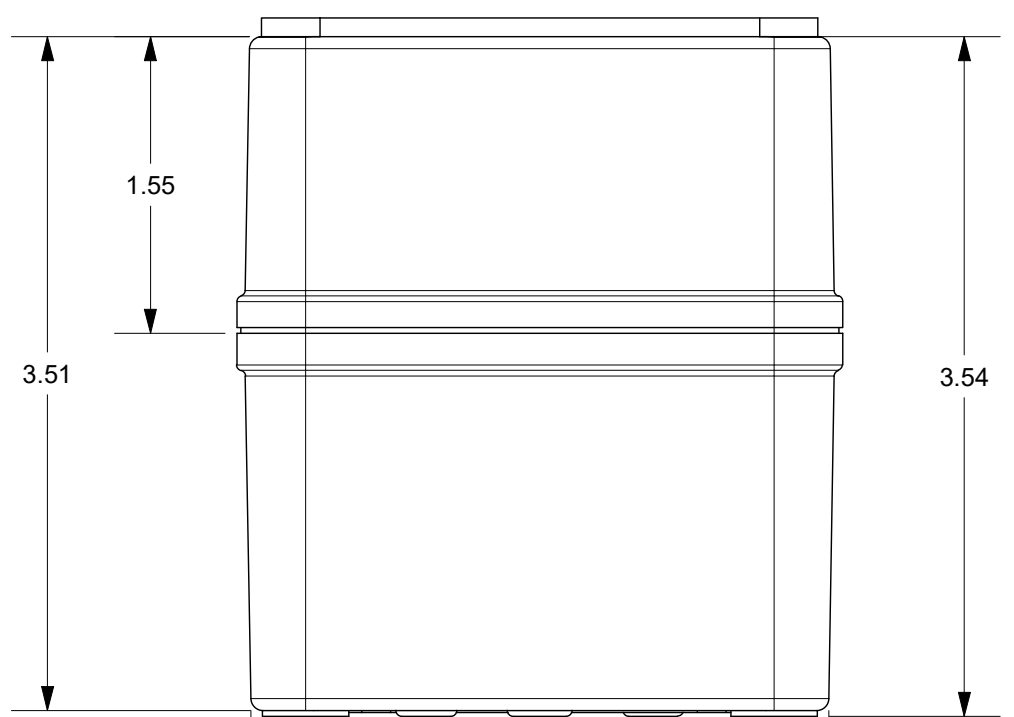
COVER SCREW
CUSTOM POLYCARBONATE
(4X)



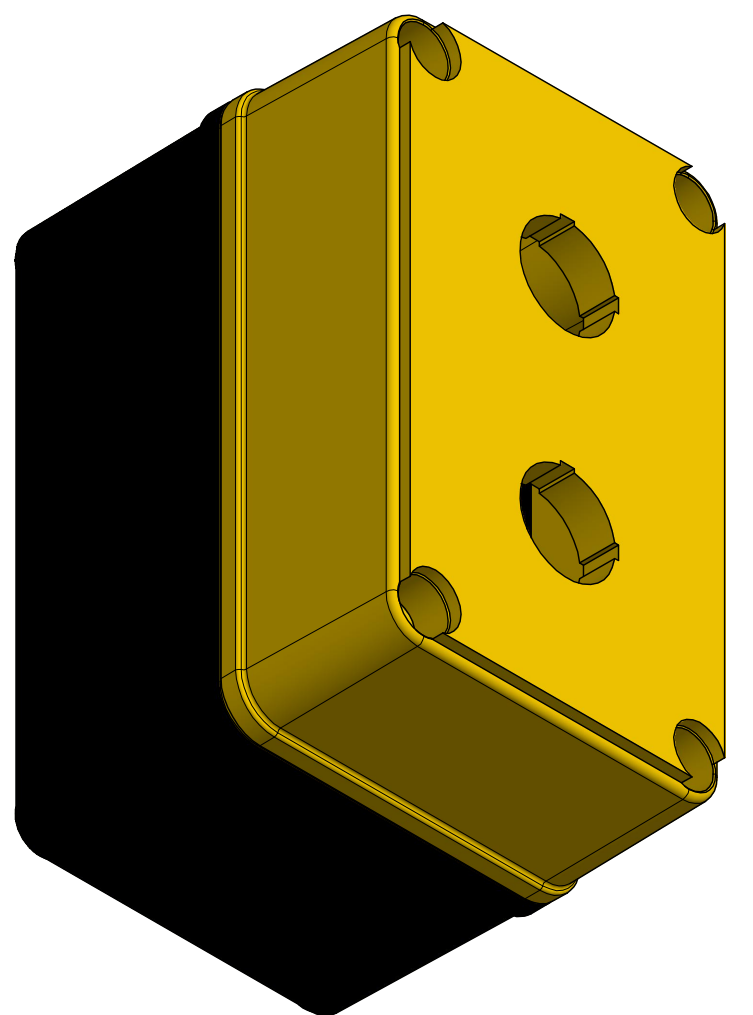
SECTION B-B



BACK VIEW



BOTTOM VIEW



THIS DRAWING IS THE SOLE AND EXCLUSIVE PROPERTY OF ROBROY ENCLOSURES. NO PART OF THIS DRAWING MAY BE REPRODUCED, DISTRIBUTED, OR PUBLICALLY DISPLAYED IN ANY FORM OR BY ANY MEANS WITHOUT THE EXPRESS WRITTEN PERMISSION OF ROBROY ENCLOSURES. ALL RIGHTS RESERVED. UNDER THE COPYRIGHT LAWS. COPYRIGHT © 2021 ROBROY ENCLOSURES.

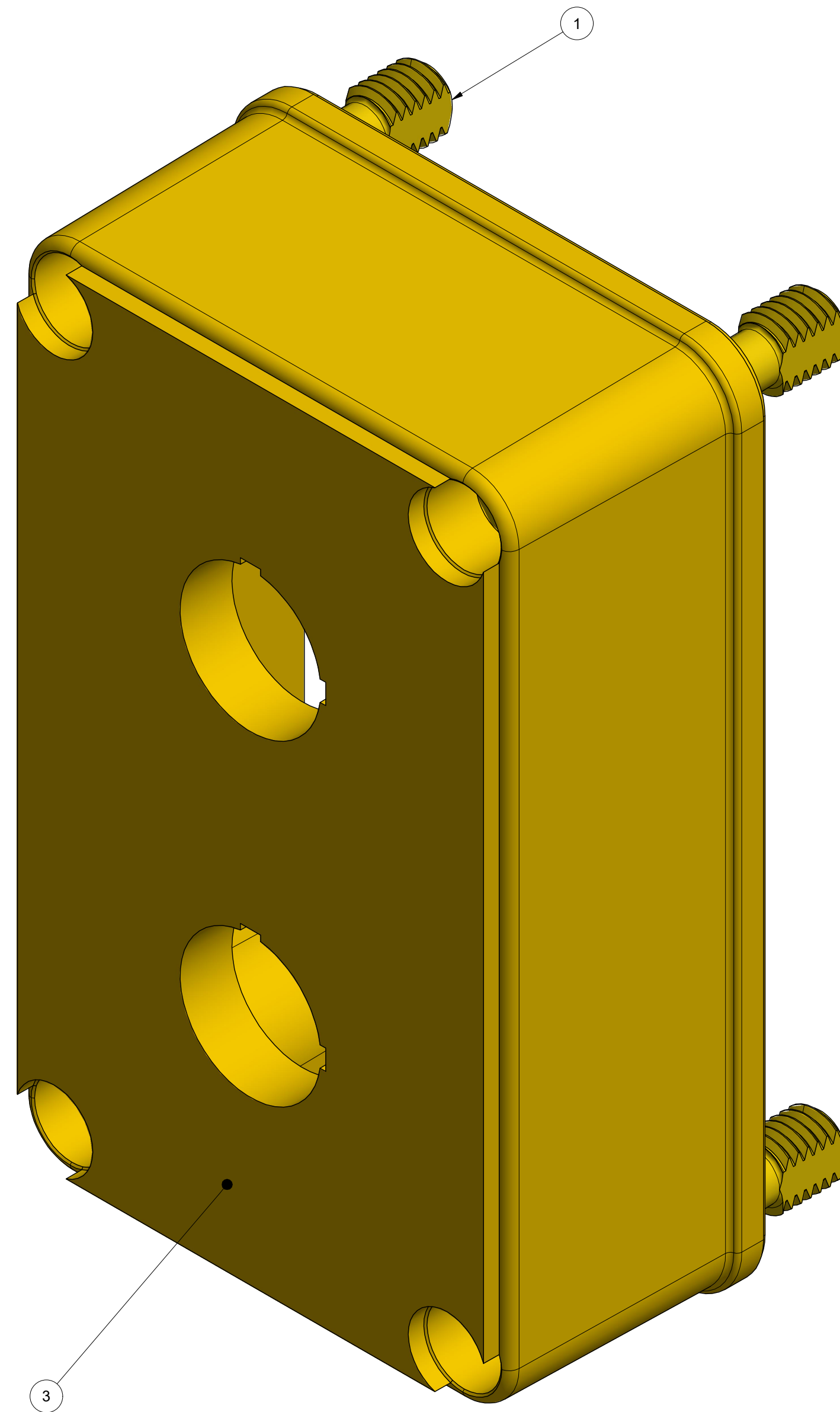
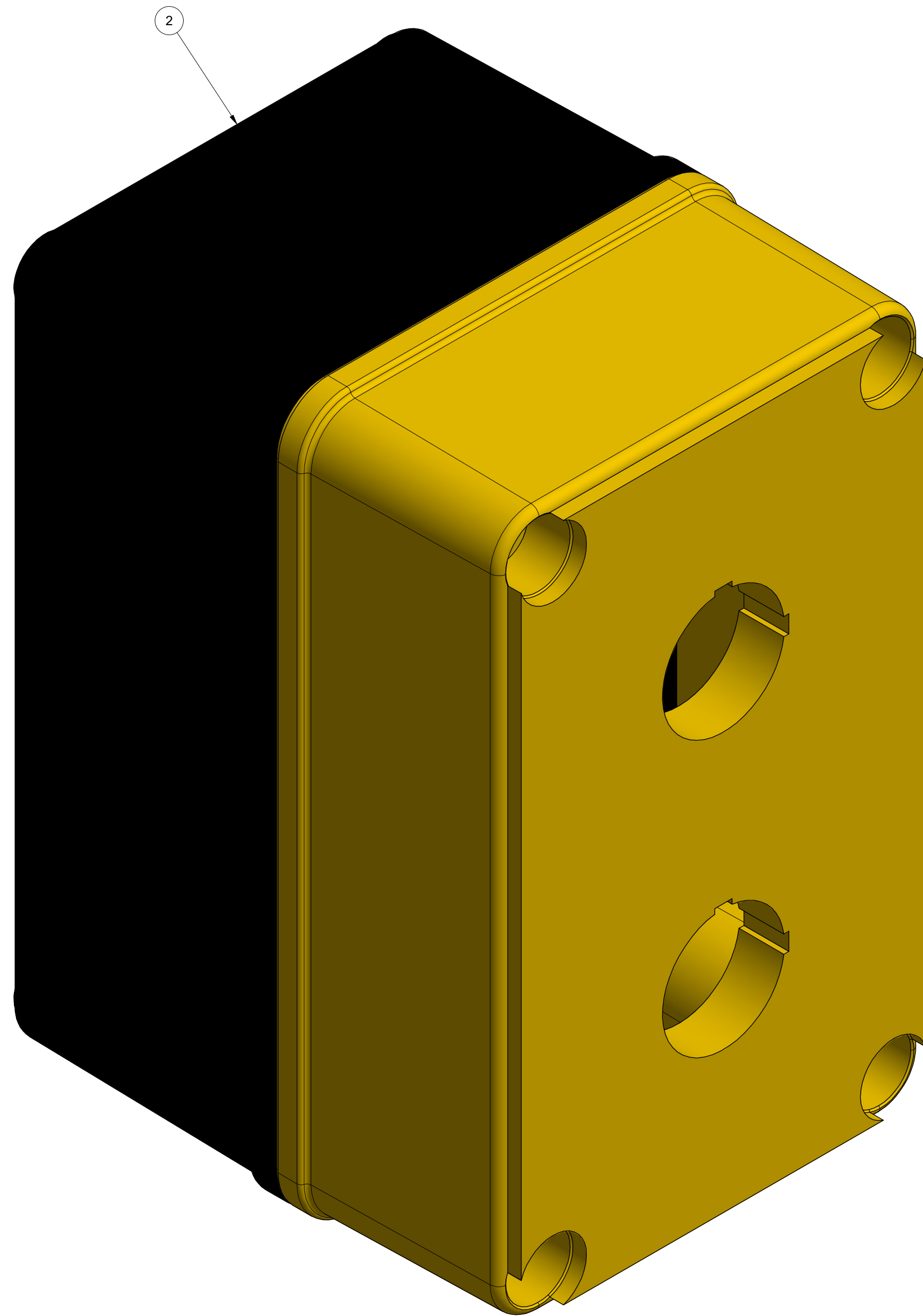
SPECIAL REQUIREMENTS

- END USER NOTES:**
- TORQUE COVER SCREWS TO 16 IN.-LBS. TO MAINTAIN RATINGS
 - RECOMMEND #10-24 x 1" - IF MOUNTING BOX THROUGH MOUNTING WELLS
- MOLDING:**
- BOX SHALL BE MOLDED IN BLACK
 - COVER SHALL BE MOLDED IN YELLOW
 - COVER SCREW (4X) SHALL BE MOLDED IN YELLOW (YWS70009)

NEMA 250: TYPE 1, 3R, 4X, 6P, 12		STANDARD P/N:	YW-CFPC2PB22	ALL DIMENSIONS ARE IN INCHES UNLESS OTHERWISE SPECIFIED		TOLERANCES UNLESS SPECIFIED		.XX ± 0.03	.XXX ± 0.010
IEC 60529: IP66, IP68		CUSTOMER DWG:	N/A						
COLOR: N/A									
COLOR STANDARD: BLACK / SAFETY YELLOW (W2029)									
MATERIAL: POLYCARBONATE									
REVISION HISTORY									
REV	DESCRIPTION	DATE	ENG						
-	-	-	-						
-	-	-	-						
-	-	-	-						
-	-	-	-						
-	-	-	-						
				DRAWN BY		DATE		CUSTOMER	
				BH		2/16/21		STAHLIN	
				SCALE		DESCRIPTION		PART NUMBER	
				DO NOT SCALE		STANDARD ENCLOSURE		FEYW-CFPC2PB22	



DWG YW-CFPC2PB22



BOX DETAIL


PARTS LIST				
ITEM	QTY	PART NUMBER	DESCRIPTION	
1	4	WPPCSCKIT-YL	4-PACK POLYCARBONATE MOLDED SCREWS (WPPCPBSCREW)	
2	1	WPPC532BOX-BK	5x3x2 POLYCARBONATE BOX - BLACK	
3	1	WPPC2PB22U-YL	CFPC2PB22 GASKETED COVER - YELLOW	
4	1	RMLABSTAHLIN3X2	PRODUCT LABEL	

THIS DRAWING IS THE SOLE AND EXCLUSIVE PROPERTY OF ROBROY ENCLOSURES. NO PART OF THIS DRAWING MAY BE REPRODUCED, DISTRIBUTED, OR PUBLICALLY DISPLAYED IN ANY FORM OR BY ANY MEANS WITHOUT THE EXPRESS WRITTEN PERMISSION OF ROBROY ENCLOSURES. ALL RIGHTS RESERVED. UNDER THE COPYRIGHT LAWS. COPYRIGHT © 2021 ROBROY ENCLOSURES

SPECIAL REQUIREMENTS

END USER NOTES:
 1. TORQUE COVER SCREWS TO 16 IN.-LBS. TO MAINTAIN RATINGS
 2. RECOMMEND #10-24 x 1" - IF MOUNTING BOX THROUGH MOUNTING WELLS

MOLDING:
 1. BOX SHALL BE MOLDED IN BLACK
 2. COVER SHALL BE MOLDED IN YELLOW
 3. COVER SCREW (4X) SHALL BE MOLDED IN YELLOW (YWS70009)

NEMA 250: TYPE 1, 3R, 4X, 6P, 12 IEC 60529: IP66, IP68	STANDARD P/N: YW-CFPC2PB22	ALL DIMENSIONS ARE IN INCHES UNLESS OTHERWISE SPECIFIED	TOLERANCES UNLESS SPECIFIED	.XX ± 0.03	.XXX ± 0.010
COLOR: N/A COLOR STANDARD: BLACK / SAFETY YELLOW (W2029)	CUSTOMER DWG: N/A	 Robroy Enclosures 500 Maple Street Belding, Michigan 48809 Phone: 616-794-0700 Fax: 616-749-3378			
MATERIAL: POLYCARBONATE					
DRAWN BY: BH DATE: 2/16/21	CUSTOMER:	DWG: YW-CFPC2PB22			
SCALE: DO NOT SCALE	DESCRIPTION: STANDARD ENCLOSURE	PART NUMBER: FEYW-CFPC2PB22			