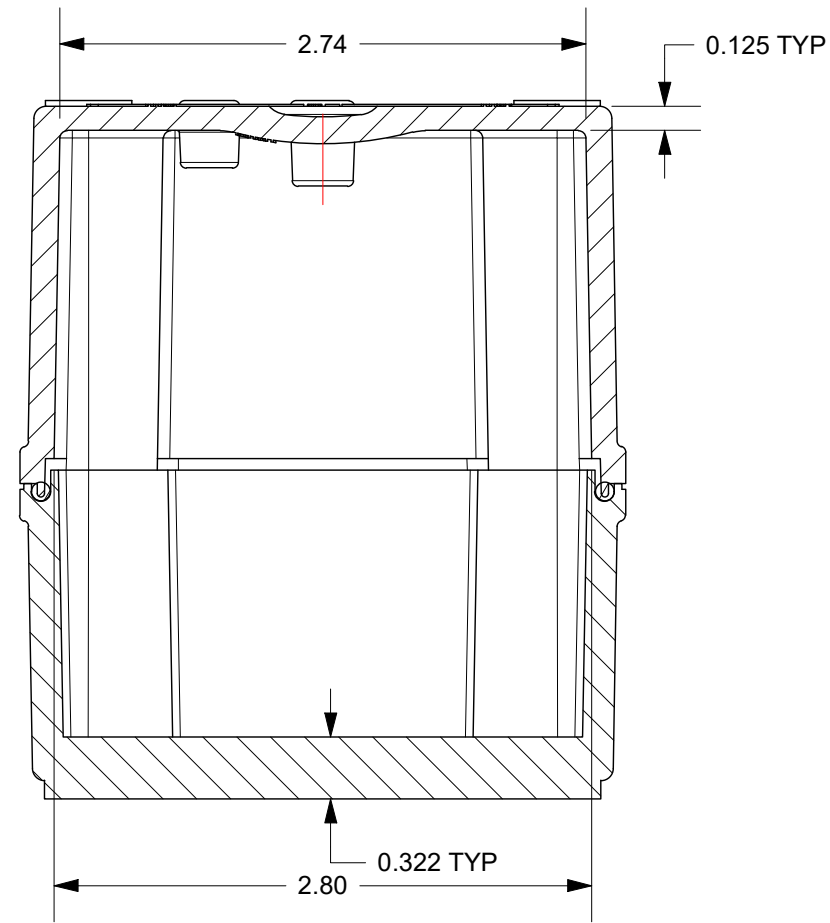
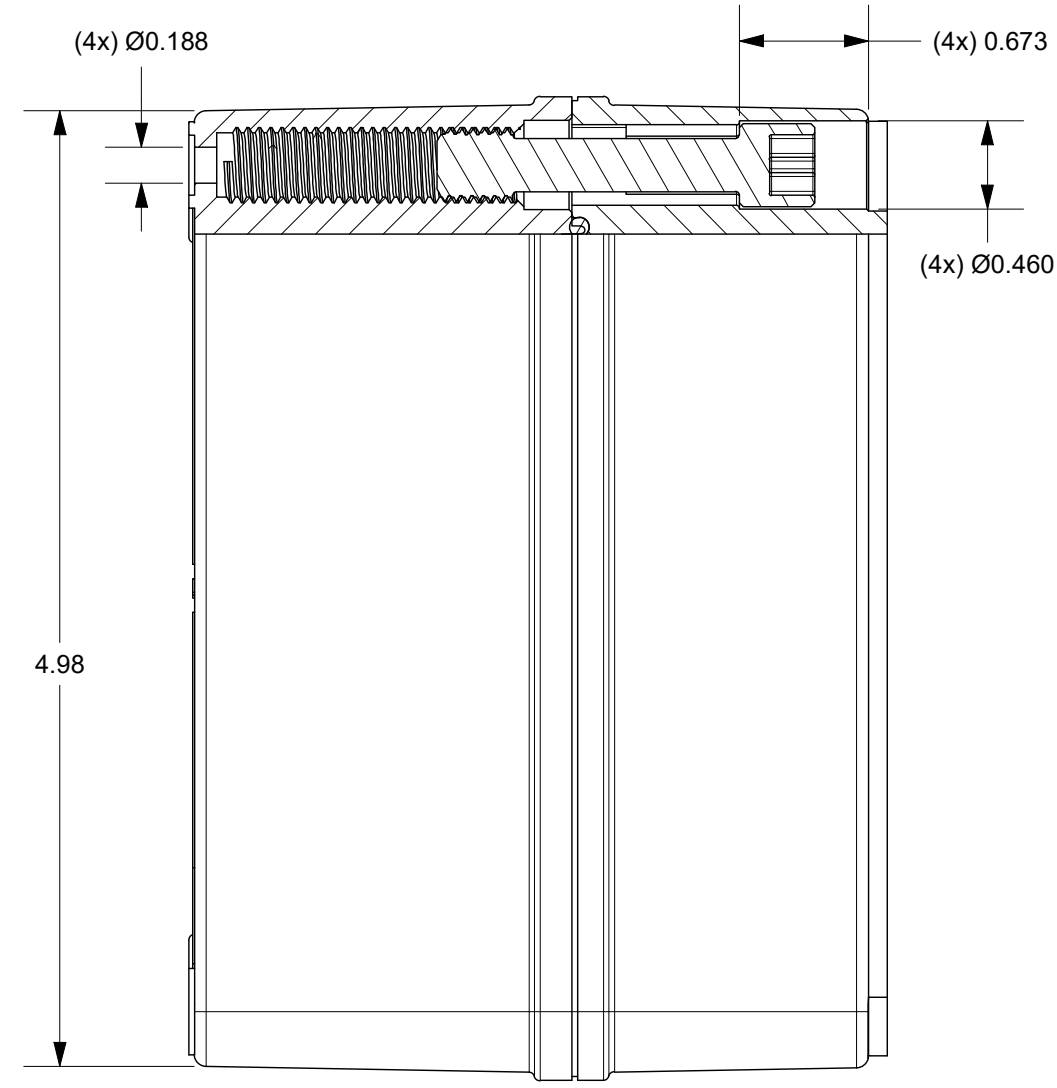
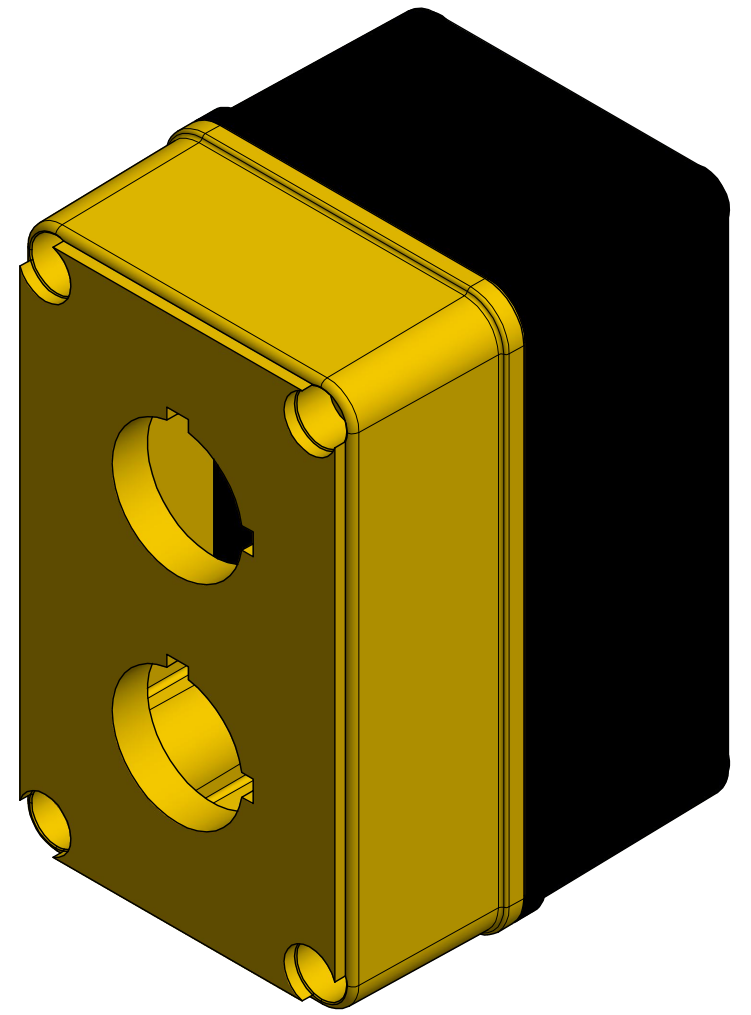


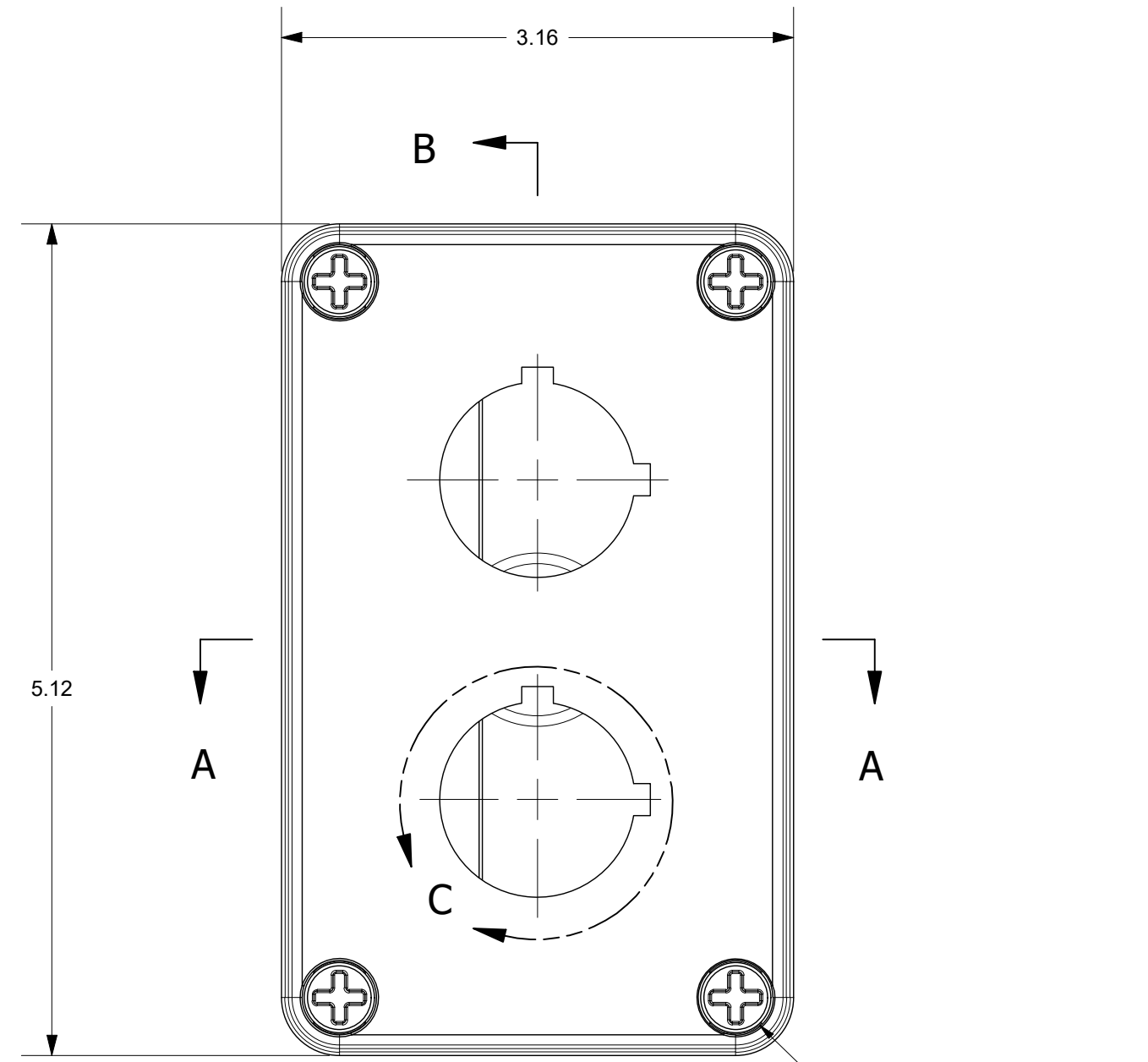
**DETAIL C**  
SOME DETAILS REMOVED FOR CLARITY  
(2X)



**SECTION A-A**

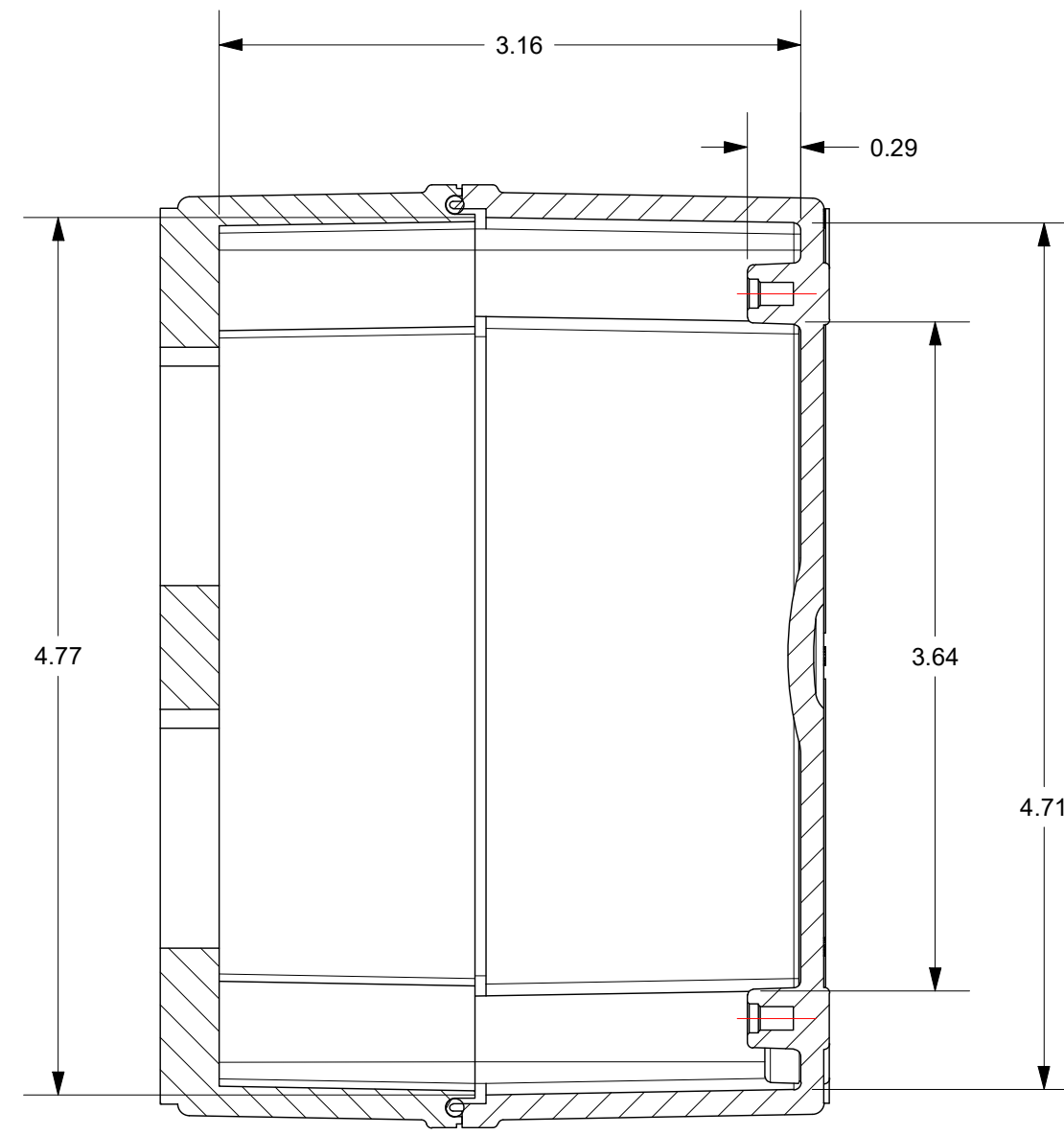


**LEFT VIEW**

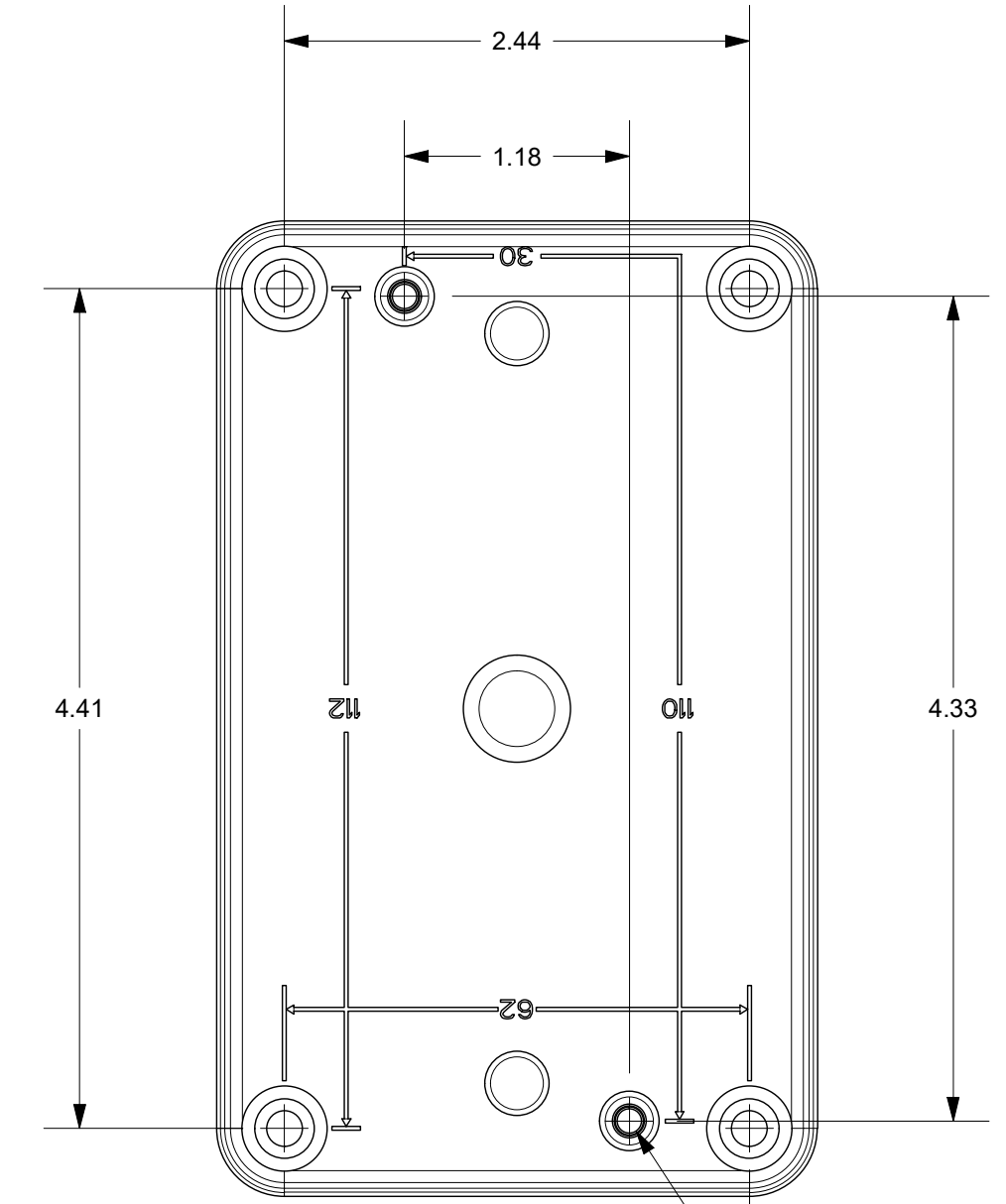


**FRONT VIEW**

COVER SCREW  
CUSTOM POLYCARBONATE  
(4X)

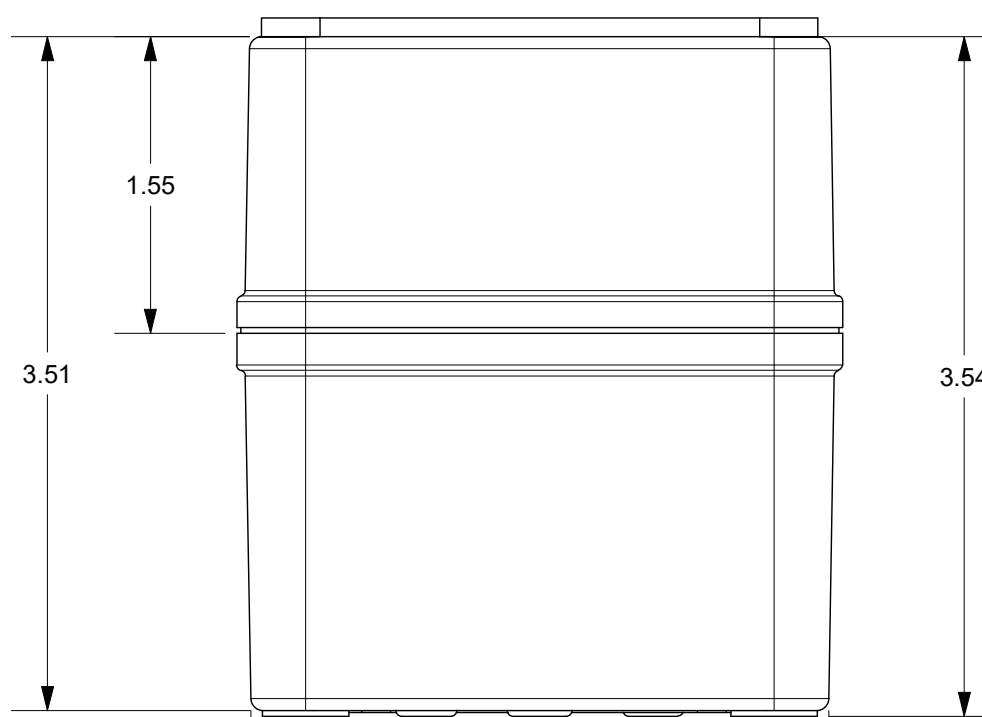


**SECTION B-B**

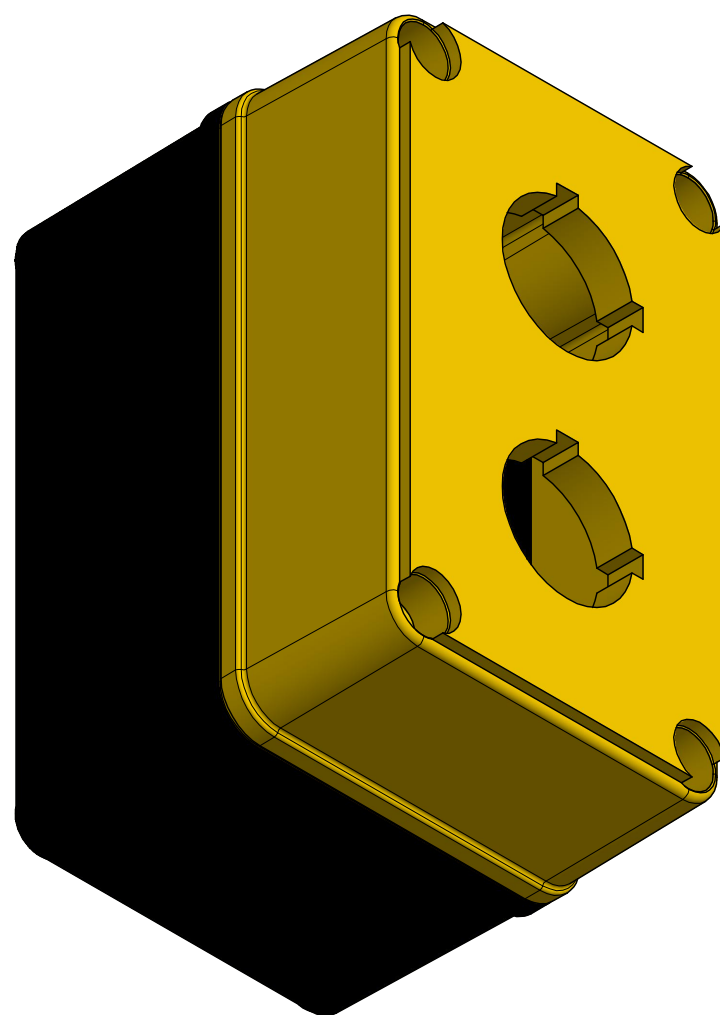


**BACK VIEW**

2X  $\phi$ 0.13



**BOTTOM VIEW**

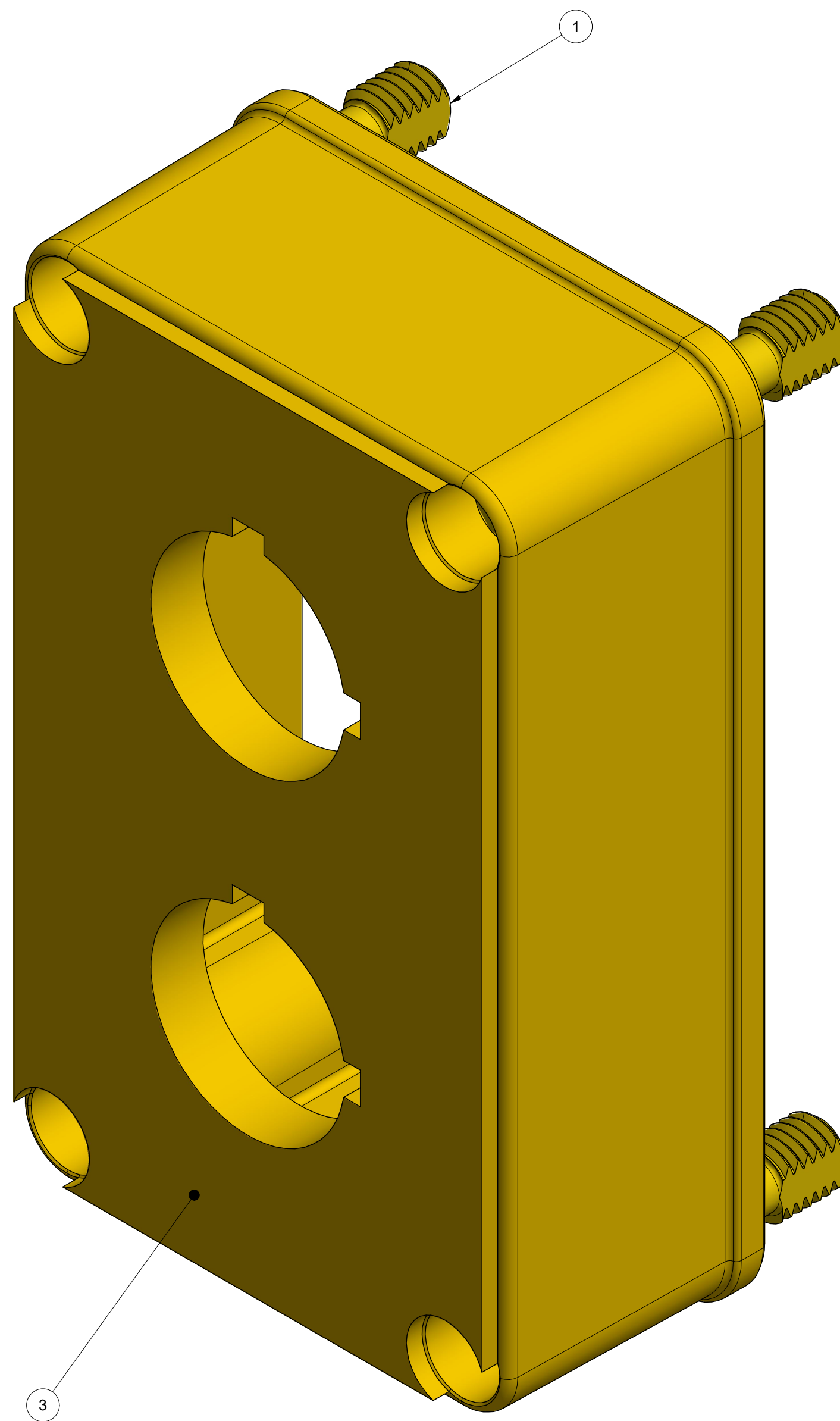
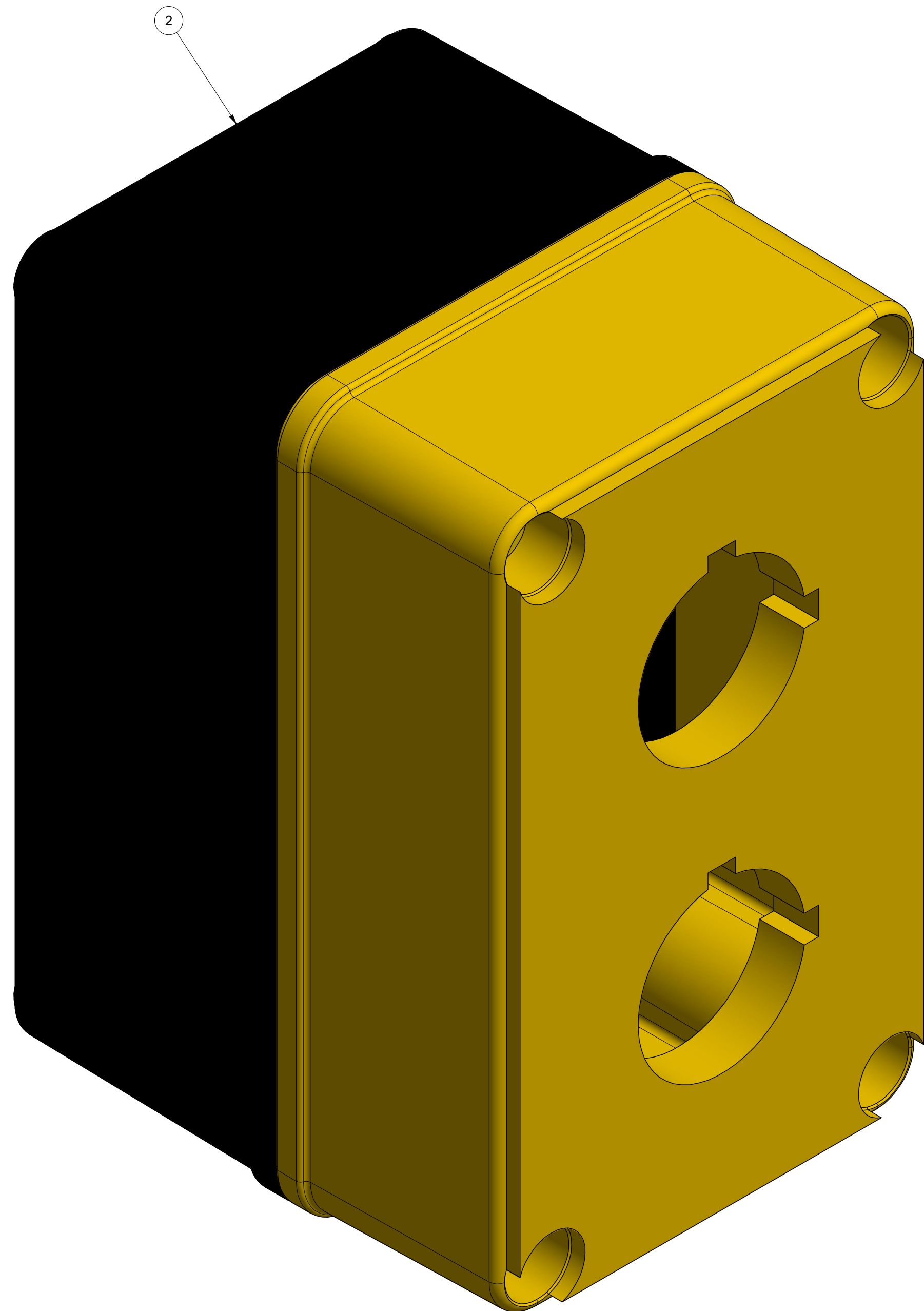


THIS DRAWING IS THE SOLE AND EXCLUSIVE PROPERTY OF ROBROY ENCLOSURES. NO PART OF THIS DRAWING MAY BE REPRODUCED, DISTRIBUTED, OR PUBLICALLY DISPLAYED IN ANY FORM OR BY ANY MEANS WITHOUT THE EXPRESS WRITTEN PERMISSION OF ROBROY ENCLOSURES. ALL RIGHTS RESERVED. UNDER THE COPYRIGHT LAWS. COPYRIGHT © 2021 ROBROY ENCLOSURES

**SPECIAL REQUIREMENTS**

- END USER NOTES:**
- TORQUE COVER SCREWS TO 16 IN.-LBS. TO MAINTAIN RATINGS
  - RECOMMEND #10-24 x 1" - IF MOUNTING BOX THROUGH MOUNTING WELLS
- MOLDING:**
- BOX SHALL BE MOLDED IN BLACK
  - COVER SHALL BE MOLDED IN YELLOW
  - COVER SCREW (4X) SHALL BE MOLDED IN YELLOW (YWS70009)

NEMA 250: TYPE 1, 3R, 4X, 6P, 12 IEC 60529: IP66, IP68		STANDARD P/N: YW-CFPC2PB	ALL DIMENSIONS ARE IN INCHES UNLESS OTHERWISE SPECIFIED	TOLERANCES UNLESS SPECIFIED	.XX ± 0.03	.XXX ± 0.010																																																															
COLOR: N/A COLOR STANDARD: BLACK / SAFETY YELLOW (W2029)		CUSTOMER DWG: N/A	<p><b>Robroy Enclosures</b> 500 Maple Street Belding, Michigan 48809 Phone: 616-794-0700 Fax: 616-749-3378</p>																																																																		
MATERIAL: POLYCARBONATE																																																																					
<table border="1"> <thead> <tr> <th colspan="7">REVISION HISTORY</th> </tr> <tr> <th>REV</th> <th>DESCRIPTION</th> <th>DATE</th> <th>ENG</th> <th colspan="3"></th> </tr> </thead> <tbody> <tr><td>-</td><td>-</td><td>-</td><td>-</td><td colspan="3"></td></tr> <tr><td>-</td><td>-</td><td>-</td><td>-</td><td colspan="3"></td></tr> <tr><td>-</td><td>-</td><td>-</td><td>-</td><td colspan="3"></td></tr> <tr><td>-</td><td>-</td><td>-</td><td>-</td><td colspan="3"></td></tr> <tr><td>-</td><td>-</td><td>-</td><td>-</td><td colspan="3"></td></tr> <tr><td>-</td><td>-</td><td>-</td><td>-</td><td colspan="3"></td></tr> <tr><td>-</td><td>-</td><td>-</td><td>-</td><td colspan="3"></td></tr> </tbody> </table>							REVISION HISTORY							REV	DESCRIPTION	DATE	ENG				-	-	-	-				-	-	-	-				-	-	-	-				-	-	-	-				-	-	-	-				-	-	-	-				-	-	-	-			
REVISION HISTORY																																																																					
REV	DESCRIPTION	DATE	ENG																																																																		
-	-	-	-																																																																		
-	-	-	-																																																																		
-	-	-	-																																																																		
-	-	-	-																																																																		
-	-	-	-																																																																		
-	-	-	-																																																																		
-	-	-	-																																																																		
DRAWN BY: BH		DATE: 2/16/21	CUSTOMER:		DWG: YW-CFPC2PB																																																																
SCALE: DO NOT SCALE		DESCRIPTION: STANDARD ENCLOSURE		PART NUMBER: FEYW-CFPC2PB																																																																	



BOX DETAIL


PARTS LIST				
ITEM	QTY	PART NUMBER	DESCRIPTION	
1	4	WPPCSCKIT-YL	4-PACK POLYCARBONATE MOLDED SCREWS (WPPCPBSCREW)	
2	1	WPPC532BOX-BK	5x3x2 POLYCARBONATE BOX - BLACK	
3	1	WPPC2PB30U-YL	CFPC2PB GASKETED COVER - YELLOW	
4	1	RMLABSTAHLIN3X2	PRODUCT LABEL	

THIS DRAWING IS THE SOLE AND EXCLUSIVE PROPERTY OF ROBROY ENCLOSURES. NO PART OF THIS DRAWING MAY BE REPRODUCED, DISTRIBUTED, OR PUBLICALLY DISPLAYED IN ANY FORM OR BY ANY MEANS WITHOUT THE EXPRESS WRITTEN PERMISSION OF ROBROY ENCLOSURES. ALL RIGHTS RESERVED. UNDER THE COPYRIGHT LAWS. COPYRIGHT © 2021 ROBROY ENCLOSURES.

**SPECIAL REQUIREMENTS**

**END USER NOTES:**  
 1. TORQUE COVER SCREWS TO 16 IN.-LBS. TO MAINTAIN RATINGS  
 2. RECOMMEND #10-24 x 1" - IF MOUNTING BOX THROUGH MOUNTING WELLS

**MOLDING:**  
 1. BOX SHALL BE MOLDED IN BLACK  
 2. COVER SHALL BE MOLDED IN YELLOW  
 3. COVER SCREW (4X) SHALL BE MOLDED IN YELLOW (YWS70009)

NEMA 250: TYPE 1, 3R, 4X, 6P, 12 IEC 60529: IP66, IP68		STANDARD P/N: YW-CFPC2PB	ALL DIMENSIONS ARE IN INCHES UNLESS OTHERWISE SPECIFIED	TOLERANCES UNLESS SPECIFIED	.XX ± 0.03	.XXX ± 0.010
COLOR: N/A COLOR STANDARD: BLACK / SAFETY YELLOW (W2029)		CUSTOMER DWG: N/A	 <b>STAHLIN</b> Robroy Enclosures 500 Maple Street Belding, Michigan 48809 Phone: 616-794-0700 Fax: 616-749-3378			
MATERIAL: POLYCARBONATE						
DRAWN BY: BH		DATE: 2/16/21				
SCALE: DO NOT SCALE		DESCRIPTION: STANDARD ENCLOSURE	PART NUMBER: FEYW-CFPC2PB			