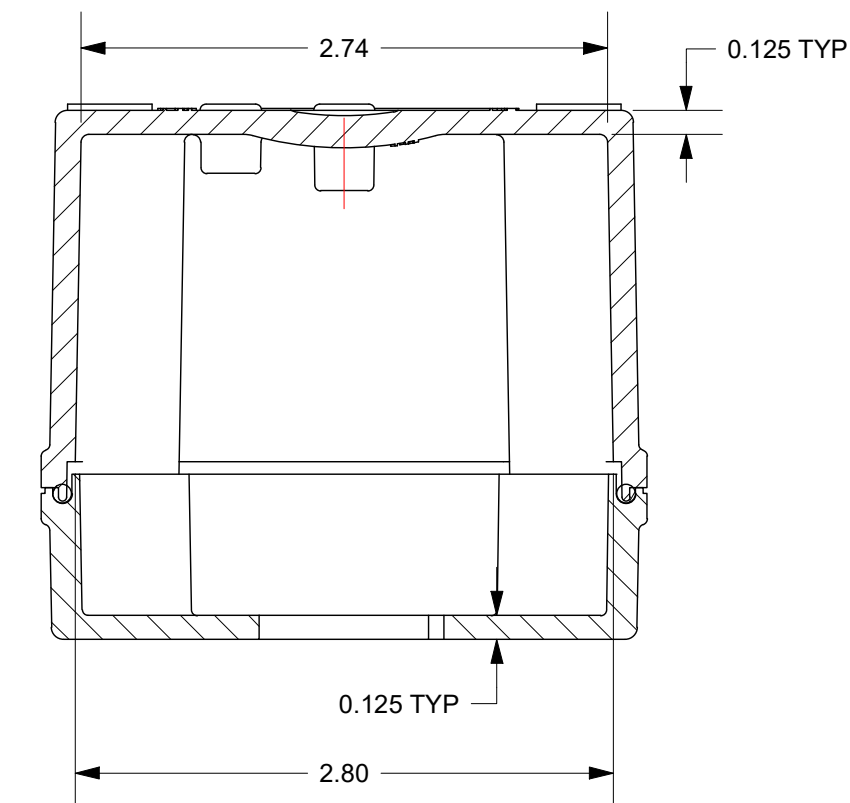
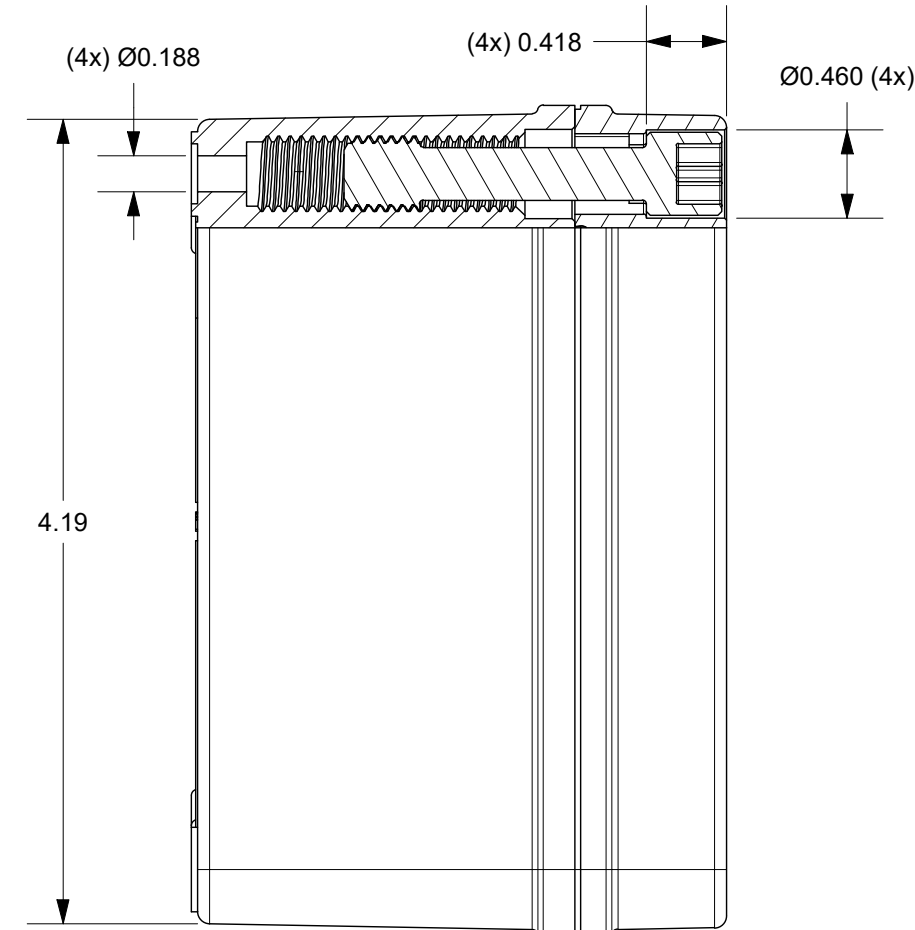
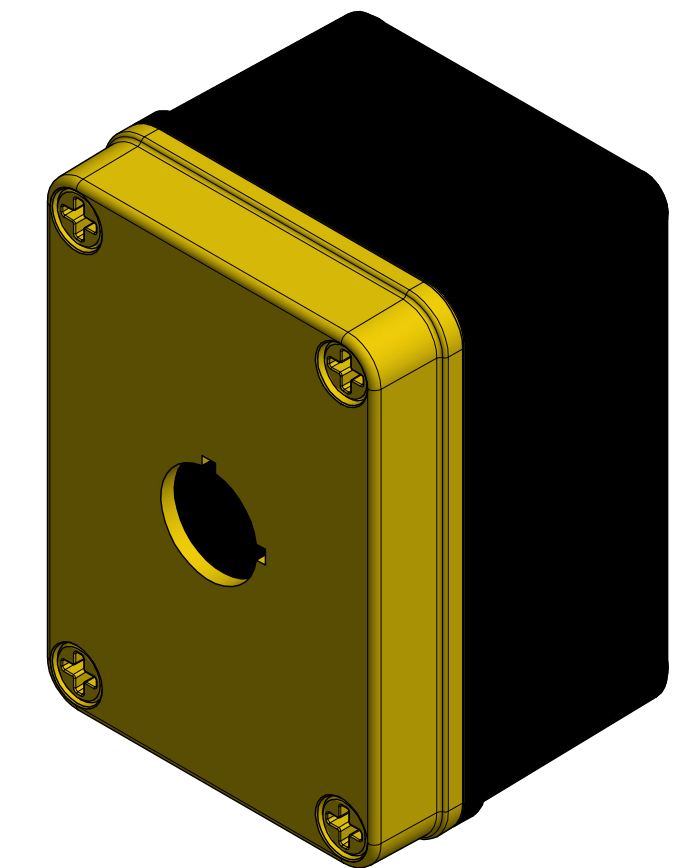


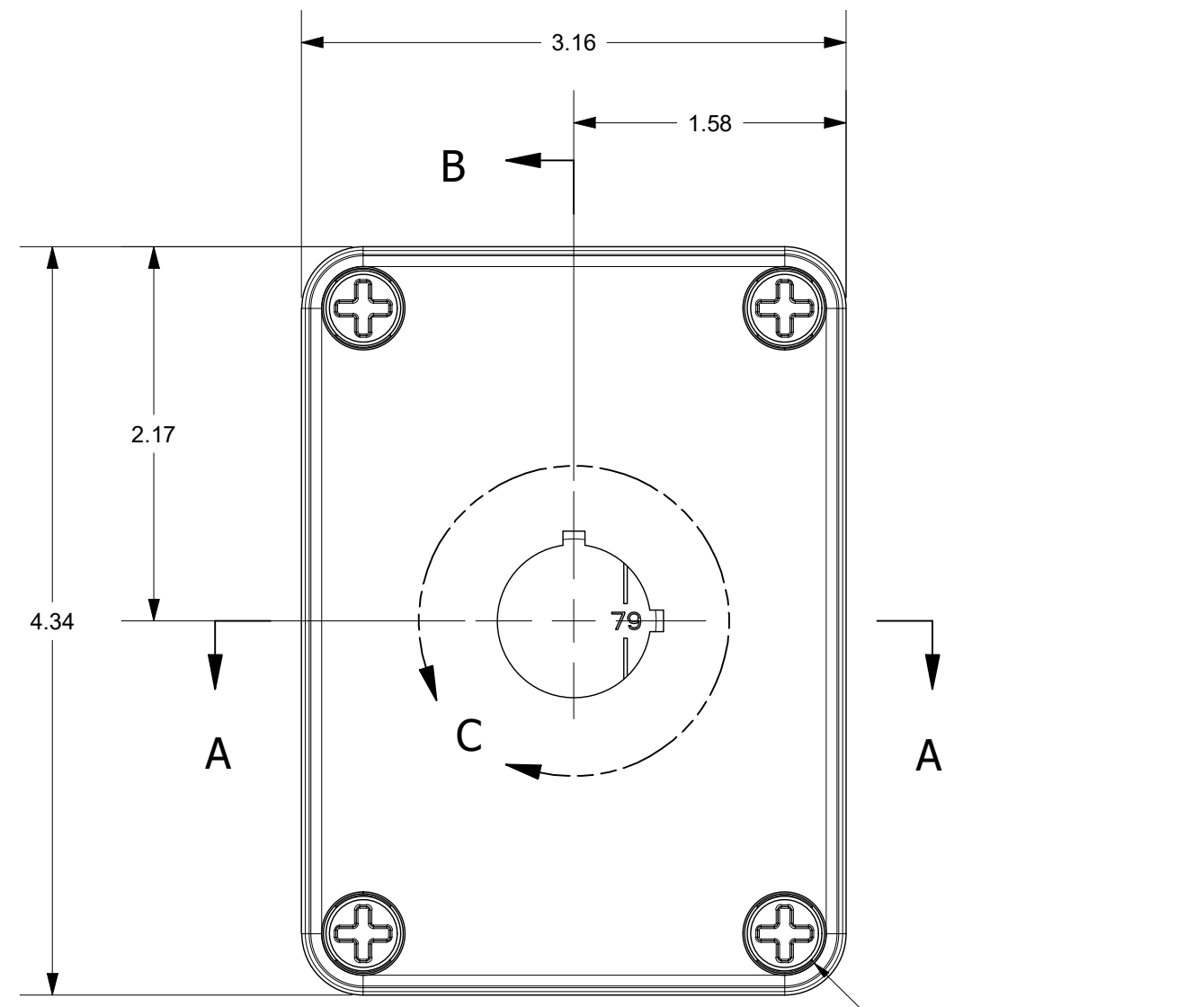
DETAIL C
SOME DETAILS REMOVED FOR CLARITY



SECTION A-A

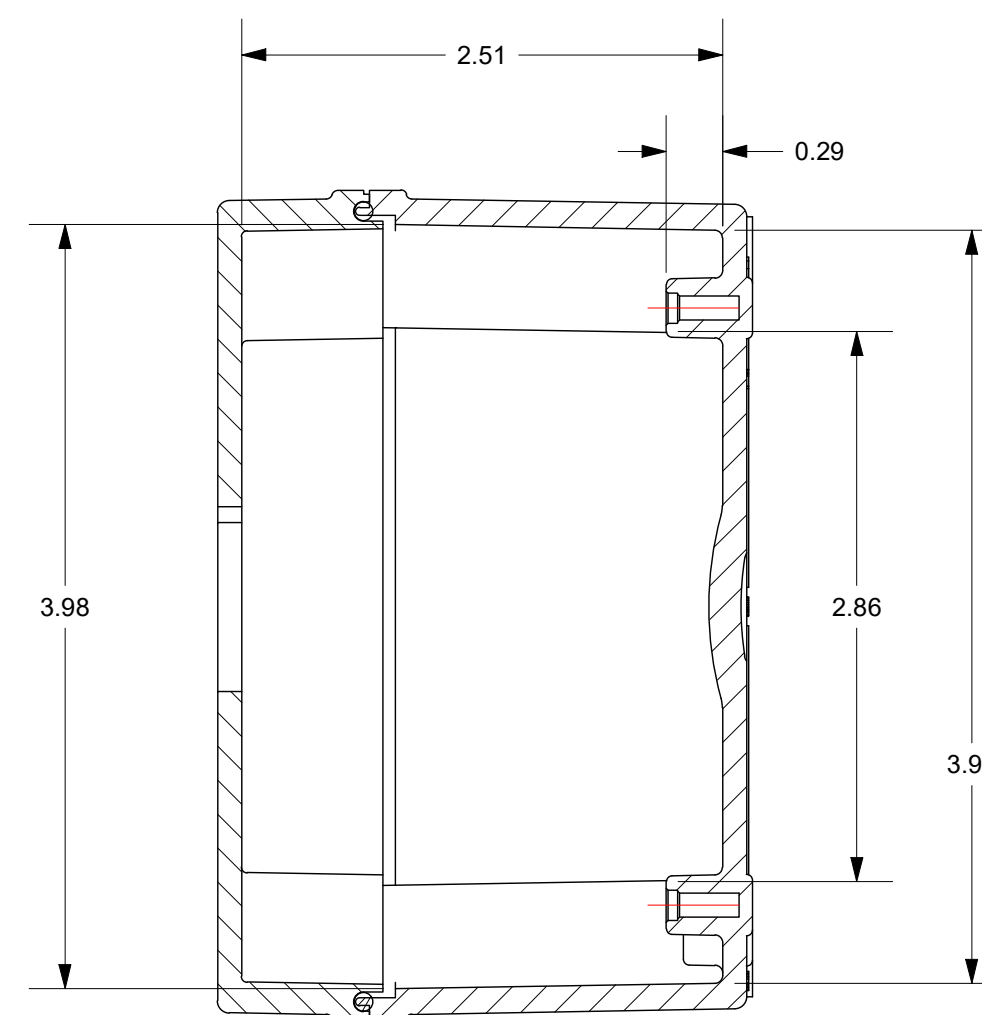


LEFT VIEW

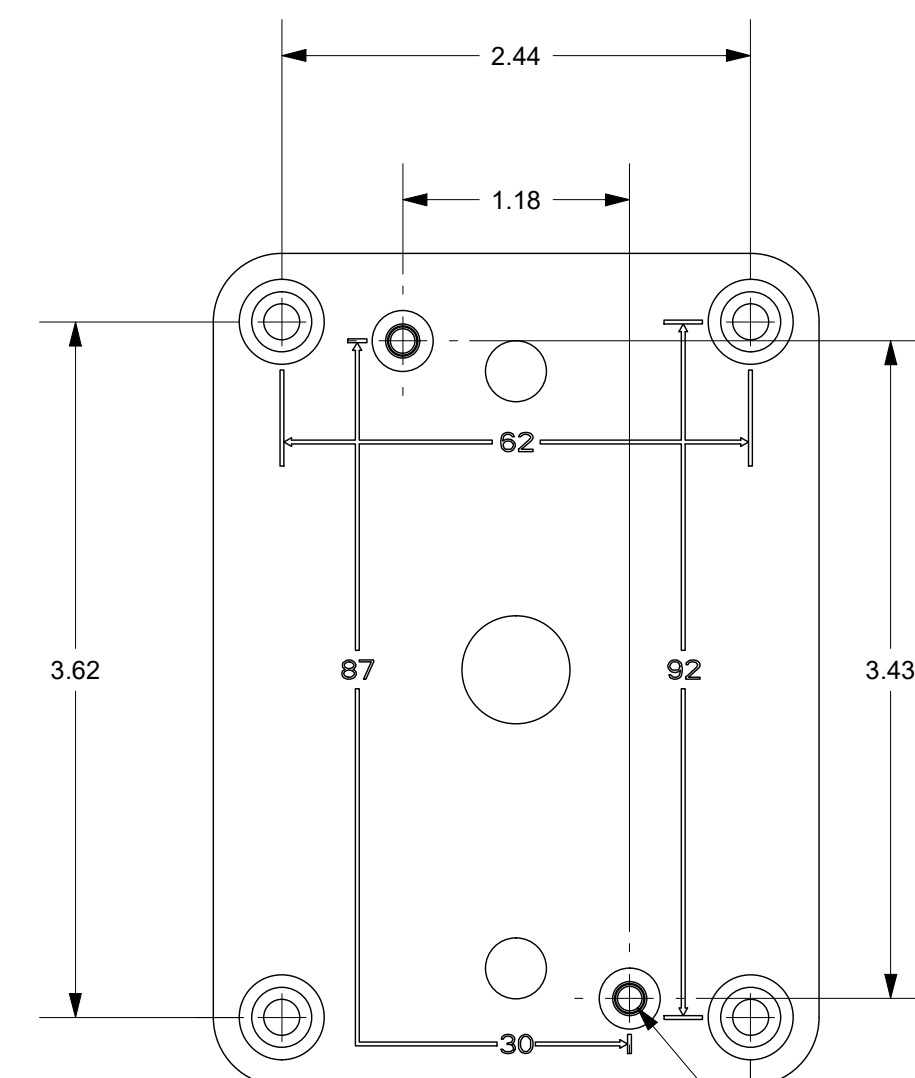


FRONT VIEW

COVER SCREW
CUSTOM POLYCARBONATE
(4X)

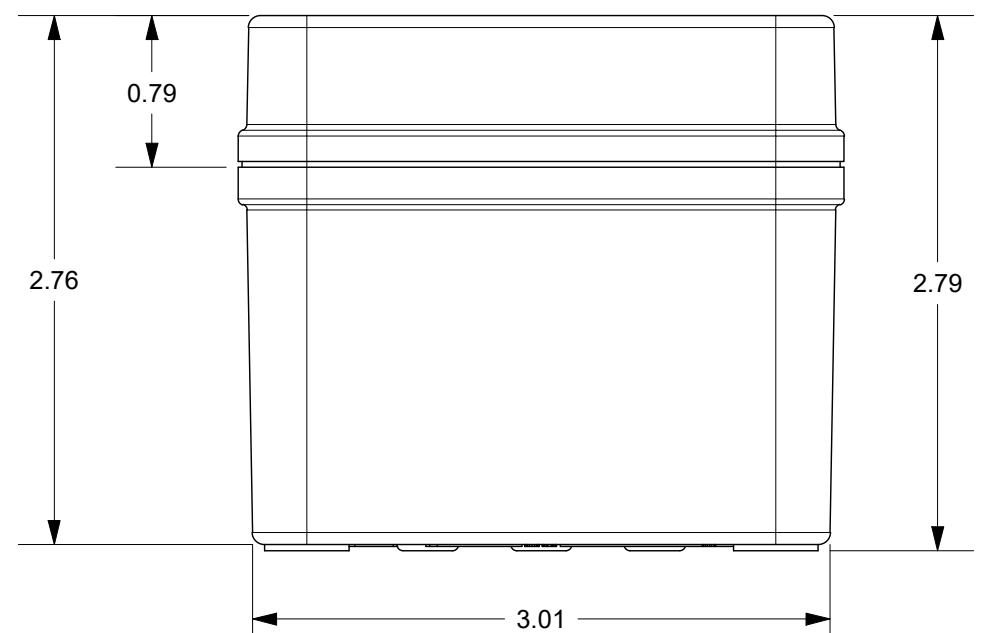


SECTION B-B

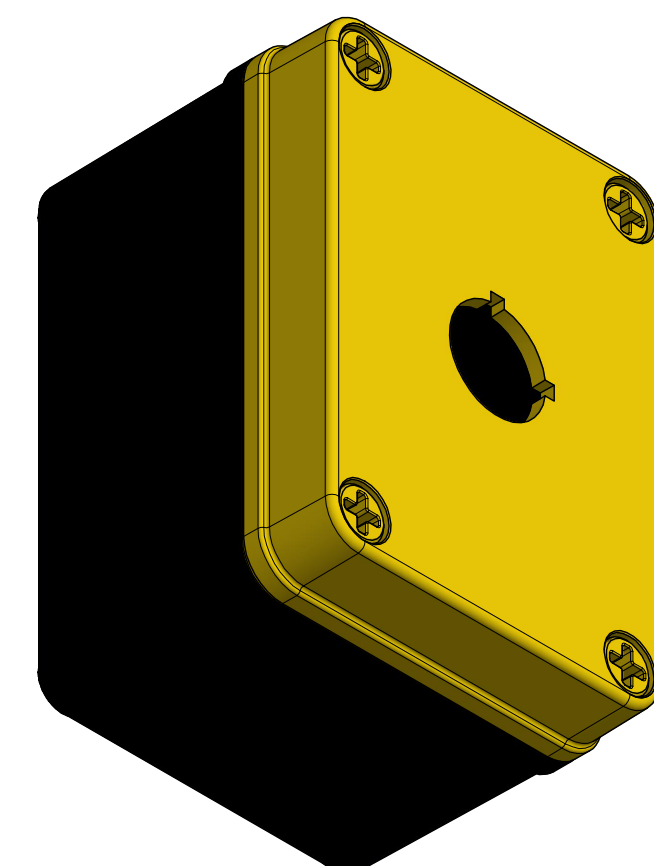


BACK VIEW

2X Ø0.13



BOTTOM VIEW



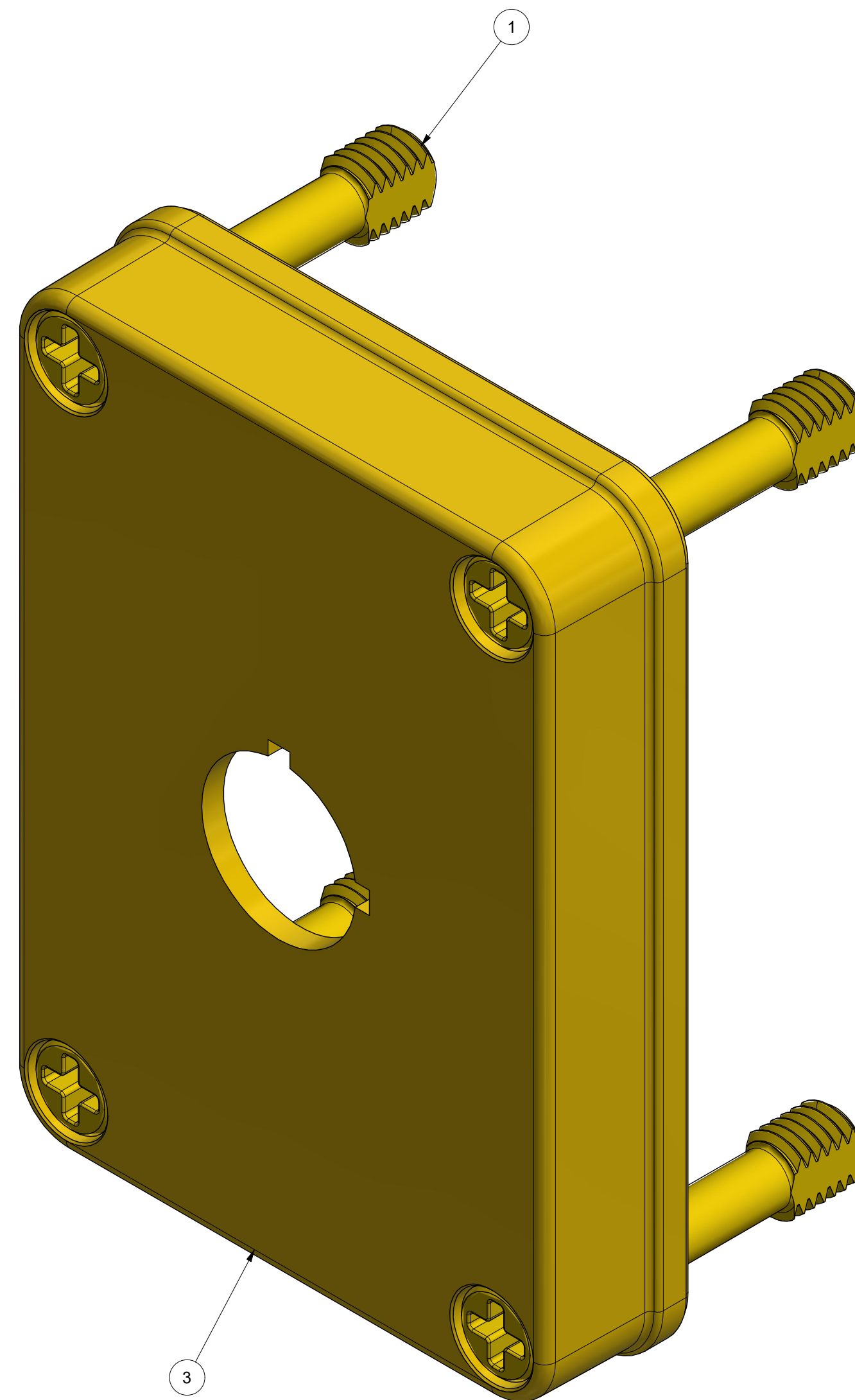
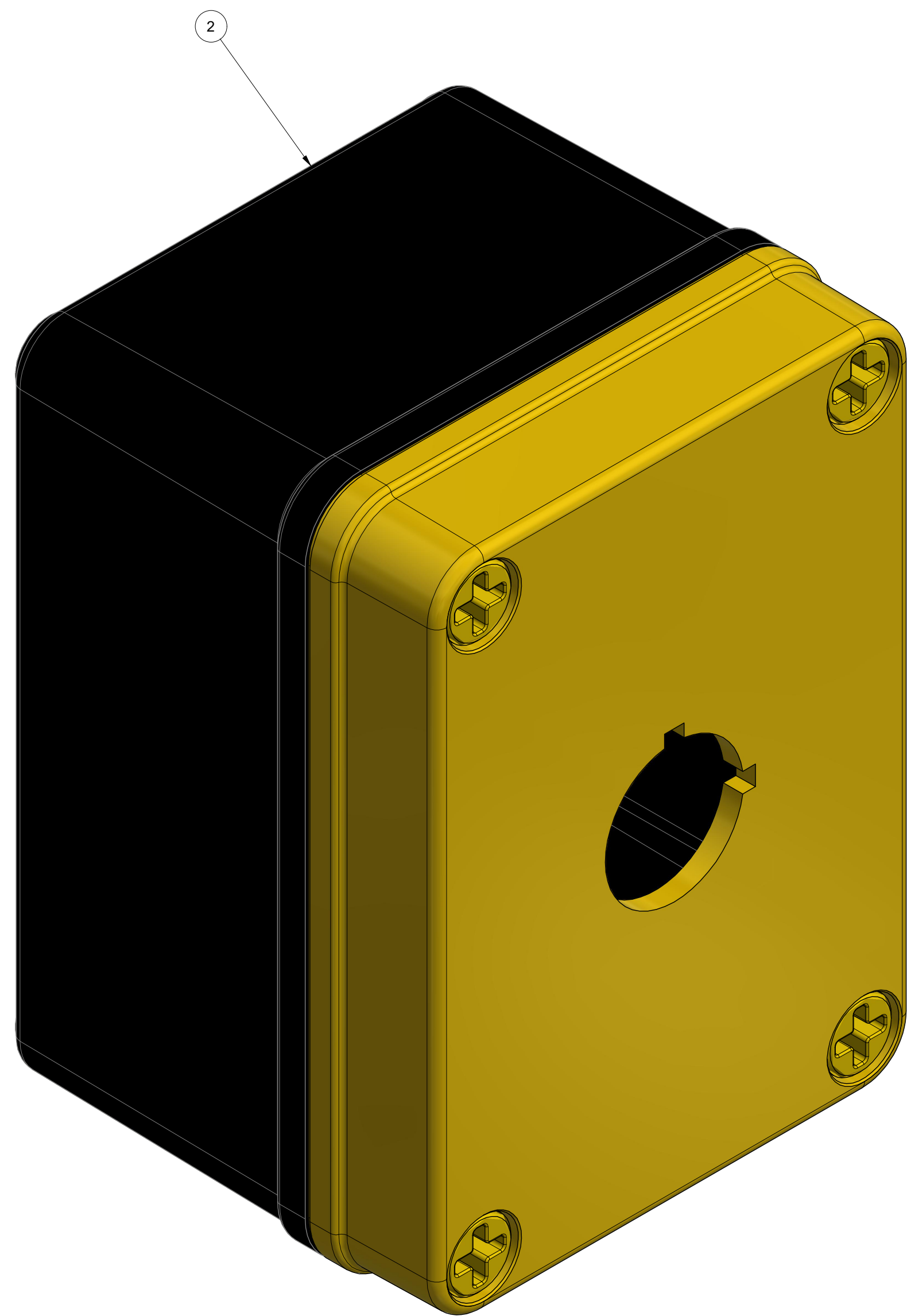
THIS DRAWING IS THE SOLE AND EXCLUSIVE PROPERTY OF ROBROY ENCLOSURES. NO PART OF THIS DRAWING MAY BE REPRODUCED, DISTRIBUTED, OR PUBLICALLY DISPLAYED IN ANY FORM OR BY ANY MEANS WITHOUT THE EXPRESS WRITTEN PERMISSION OF ROBROY ENCLOSURES. ALL RIGHTS RESERVED. UNDER THE COPYRIGHT LAWS. COPYRIGHT © 2021 ROBROY ENCLOSURES

SPECIAL REQUIREMENTS

- END USER NOTES:**
1. TORQUE COVER SCREWS TO 16 IN.-LBS. TO MAINTAIN RATINGS
2. RECOMMEND #10-24 x 1" - IF MOUNTING BOX THROUGH MOUNTING WELLS
- MOLDING:**
1. BOX SHALL BE MOLDED IN BLACK
2. COVER SHALL BE MOLDED IN YELLOW (YWS70009)
3. COVER SCREW (4X) SHALL BE MOLDED IN YELLOW (YWS70009)
- ASSEMBLY:**
1. TRIM PRODUCT LABEL TO FIT INSIDE BOX

NEMA 250: TYPE 1, 3R, 4X, 6P, 12 IEC 60529: IP66, IP68		STANDARD P/N: YW-CFPC1PB22	ALL DIMENSIONS ARE IN INCHES UNLESS OTHERWISE SPECIFIED	TOLERANCES UNLESS SPECIFIED	.XX ± 0.03	.XXX ± 0.010																																																								
COLOR: N/A COLOR STANDARD: BLACK / SAFETY YELLOW (W2029)		CUSTOMER DWG: N/A																																																												
MATERIAL: POLYCARBONATE																																																														
<table border="1"> <thead> <tr> <th>REV</th> <th>DESCRIPTION</th> <th>DATE</th> <th>ENG</th> <th>DRAWN BY</th> <th>DATE</th> <th>CUSTOMER</th> <th>DWG</th> </tr> </thead> <tbody> <tr> <td>-</td> <td>-</td> <td>-</td> <td>-</td> <td>BH</td> <td>02/16/21</td> <td></td> <td>YW-CFPC1PB22</td> </tr> <tr> <td>-</td> <td>-</td> <td>-</td> <td>-</td> <td></td> <td></td> <td></td> <td></td> </tr> <tr> <td>-</td> <td>-</td> <td>-</td> <td>-</td> <td></td> <td></td> <td></td> <td></td> </tr> <tr> <td>-</td> <td>-</td> <td>-</td> <td>-</td> <td></td> <td></td> <td></td> <td></td> </tr> <tr> <td>-</td> <td>-</td> <td>-</td> <td>-</td> <td></td> <td></td> <td></td> <td></td> </tr> <tr> <td>-</td> <td>-</td> <td>-</td> <td>-</td> <td></td> <td></td> <td></td> <td></td> </tr> </tbody> </table>							REV	DESCRIPTION	DATE	ENG	DRAWN BY	DATE	CUSTOMER	DWG	-	-	-	-	BH	02/16/21		YW-CFPC1PB22	-	-	-	-					-	-	-	-					-	-	-	-					-	-	-	-					-	-	-	-				
REV	DESCRIPTION	DATE	ENG	DRAWN BY	DATE	CUSTOMER	DWG																																																							
-	-	-	-	BH	02/16/21		YW-CFPC1PB22																																																							
-	-	-	-																																																											
-	-	-	-																																																											
-	-	-	-																																																											
-	-	-	-																																																											
-	-	-	-																																																											
SCALE: DO NOT SCALE		DESCRIPTION: STANDARD ENCLOSURE	PART NUMBER: FEYW-CFPC1PB22																																																											

Robroy Enclosures
500 Maple Street
Belding, Michigan 48809
Phone: 616-794-0700
Fax: 616-749-3378



BOX DETAIL

ITEM	QTY	PART NUMBER	DESCRIPTION
1	1	WPPCSCKIT-YL	4-PACK POLYCARBONATE SCREWS - WPPCPBSCREW-YL (YELLOW)
2	1	WPPC432BOX-BK	4x3x2 POLYCARBONATE BOX (BLACK)
3	1	WPPC1PB22U-YL	WPPC1PB22CVR GASKETED COVER (YELLOW)
4	1	RMLABSTAHLIN3X2	PRODUCT LABEL

THIS DRAWING IS THE SOLE AND EXCLUSIVE PROPERTY OF ROBROY ENCLOSURES. NO PART OF THIS DRAWING MAY BE REPRODUCED, DISTRIBUTED, OR PUBLICALLY DISPLAYED IN ANY FORM OR BY ANY MEANS WITHOUT THE EXPRESS WRITTEN PERMISSION OF ROBROY ENCLOSURES. ALL RIGHTS RESERVED. UNDER THE COPYRIGHT LAWS. COPYRIGHT © 2021 ROBROY ENCLOSURES

SPECIAL REQUIREMENTS

- END USER NOTES:**
 1. TORQUE COVER SCREWS TO 16 IN.-LBS. TO MAINTAIN RATINGS
 2. RECOMMEND #10-24 x 1" - IF MOUNTING BOX THROUGH MOUNTING WELLS
- MOLDING:**
 1. BOX SHALL BE MOLDED IN BLACK
 2. COVER SHALL BE MOLDED IN YELLOW (YWS70009)
 3. COVER SCREW (4X) SHALL BE MOLDED IN YELLOW (YWS70009)
- ASSEMBLY:**
 1. TRIM PRODUCT LABEL TO FIT INSIDE BOX

NEMA 250: TYPE 1, 3R, 4X, 6P, 12 IEC 60529: IP66, IP68	STANDARD P/N: YW-CFPC1PB22	ALL DIMENSIONS ARE IN INCHES UNLESS OTHERWISE SPECIFIED	TOLERANCES UNLESS SPECIFIED	.XX ± 0.03	.XXX ± 0.010
COLOR: N/A COLOR STANDARD: BLACK / SAFETY YELLOW (W2029)	CUSTOMER DWG:				
MATERIAL: POLYCARBONATE					
DRAWN BY: BH DATE: 02/16/21		CUSTOMER	DWG: YW-CFPC1PB22		
DO NOT SCALE		DESCRIPTION	PART NUMBER		
		STANDARD ENCLOSURE	FEYW-CFPC1PB22		

Robroy Enclosures
 500 Maple Street
 Belding, Michigan 48809
 Phone: 616-794-0700
 Fax: 616-749-3378