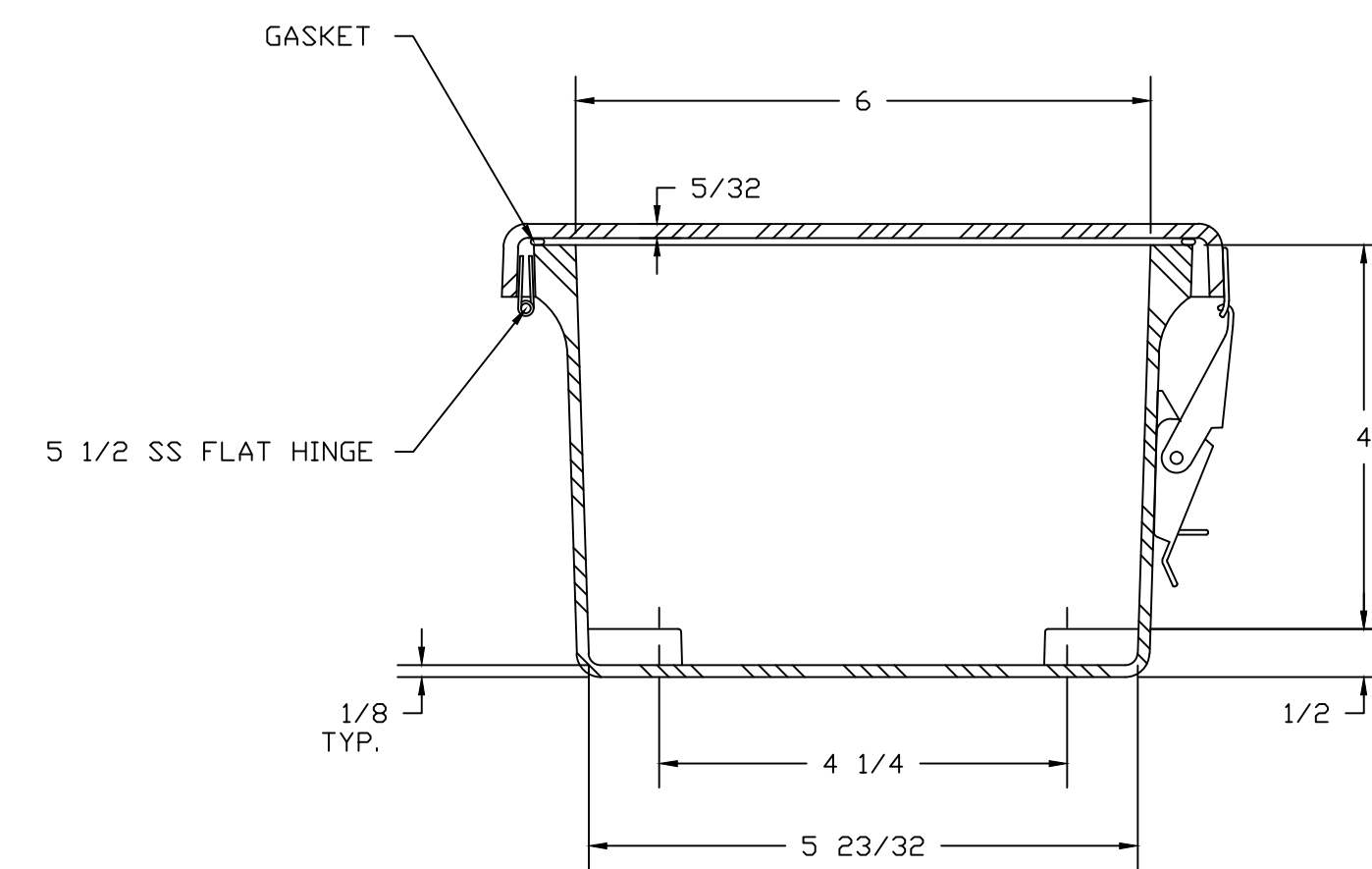
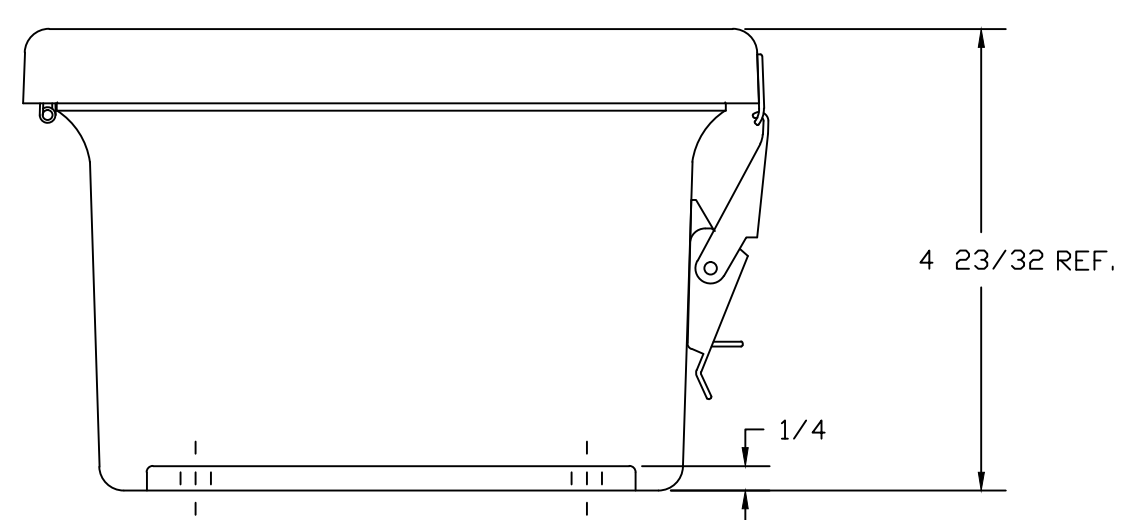


SECTION B-B



SECTION A-A

NOTES:

NEMA 4X		TOLERANCES UNLESS SPECIFIED		DECIMAL $\pm .010$	FRACTIONAL $\pm 1/32$
COLOR WHITE RR3008					
MATERIAL	F.R. POLYESTER FIBERGLASS	DR. BY	SH	DATE	6/10/91
LET.	REVISION RECORD	DATE	BY	CHK. BY	CHD.
		APD. BY	DATE		
		SCALE		PART NAME	PART NO.
		DO NOT SCALE		ENCLOSURE	WH-J606HPL

**STAHLIN**  
ENCLOSURES  
DIVISION OF ROBOBY INDUSTRIES

BELDING, MICHIGAN  
48809

AUTOCAD DWG. FILE  
WH-J606HPL