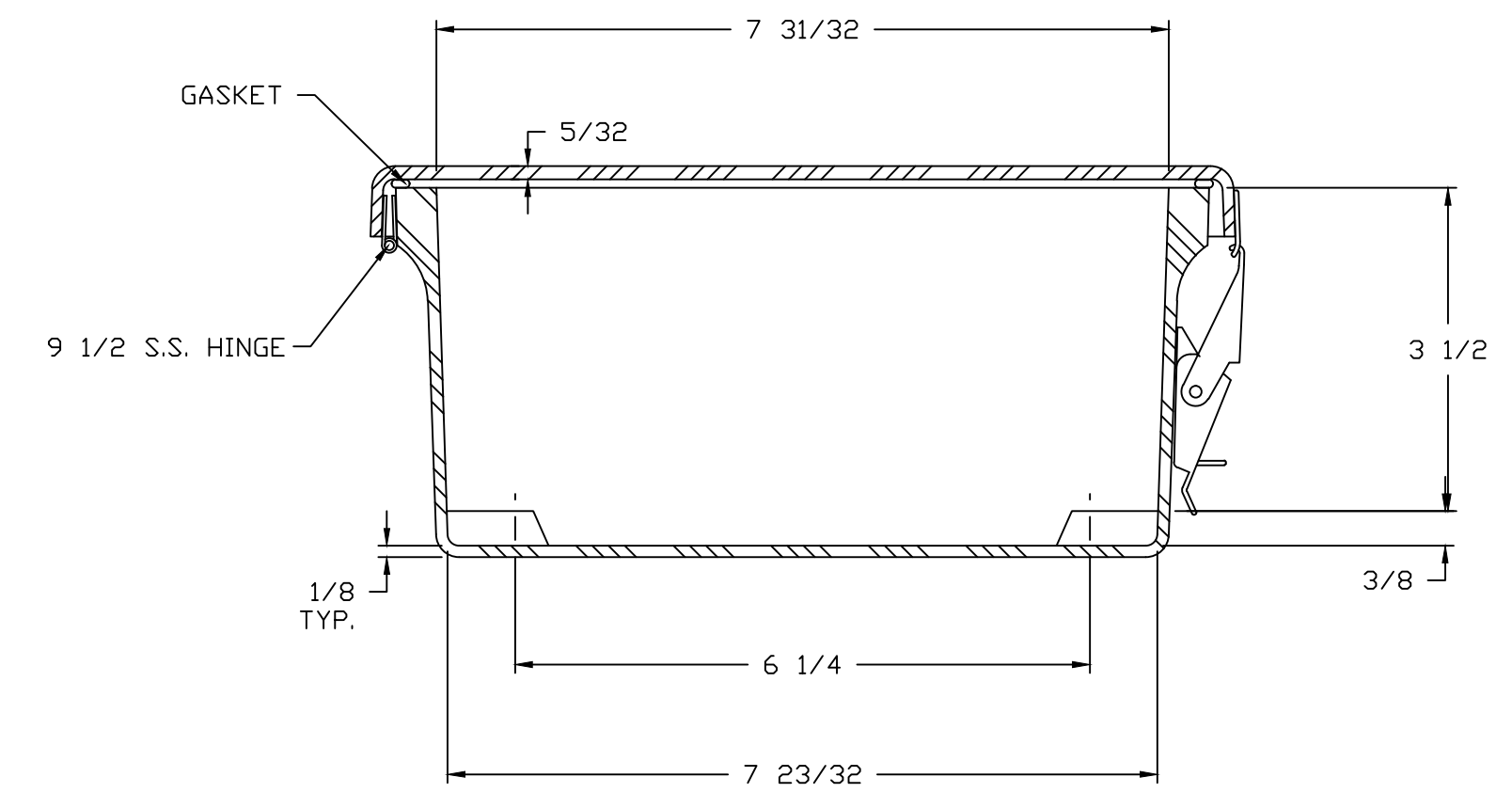
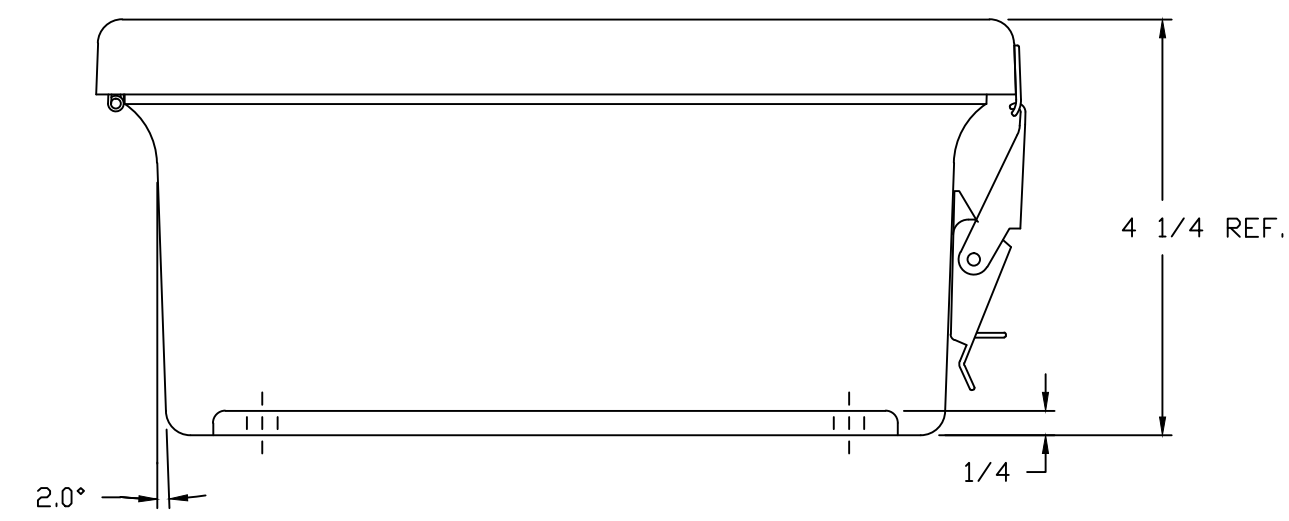


SECTION B-B



SECTION A-A

NOTES:

NEMA 4X		TOLERANCES UNLESS SPECIFIED		DECIMAL ±.010	FRACTIONAL ± 1/32
COLOR WHITE RR3008					
MATERIAL	F.R. POLYESTER FIBERGLASS	DR. BY	SH	DATE	2/25/91
LET.	REVISION RECORD	DATE	BY	CHK. BY	DATE
				APD. BY	DATE
		SCALE		PART NAME	CUSTOMER
		DO NOT SCALE		ENCLOSURE	BELDING, MICHIGAN 48809
				PART NO.	WH-J1008HPL

AutoCAD DWG. FILE WH-J1008HPL