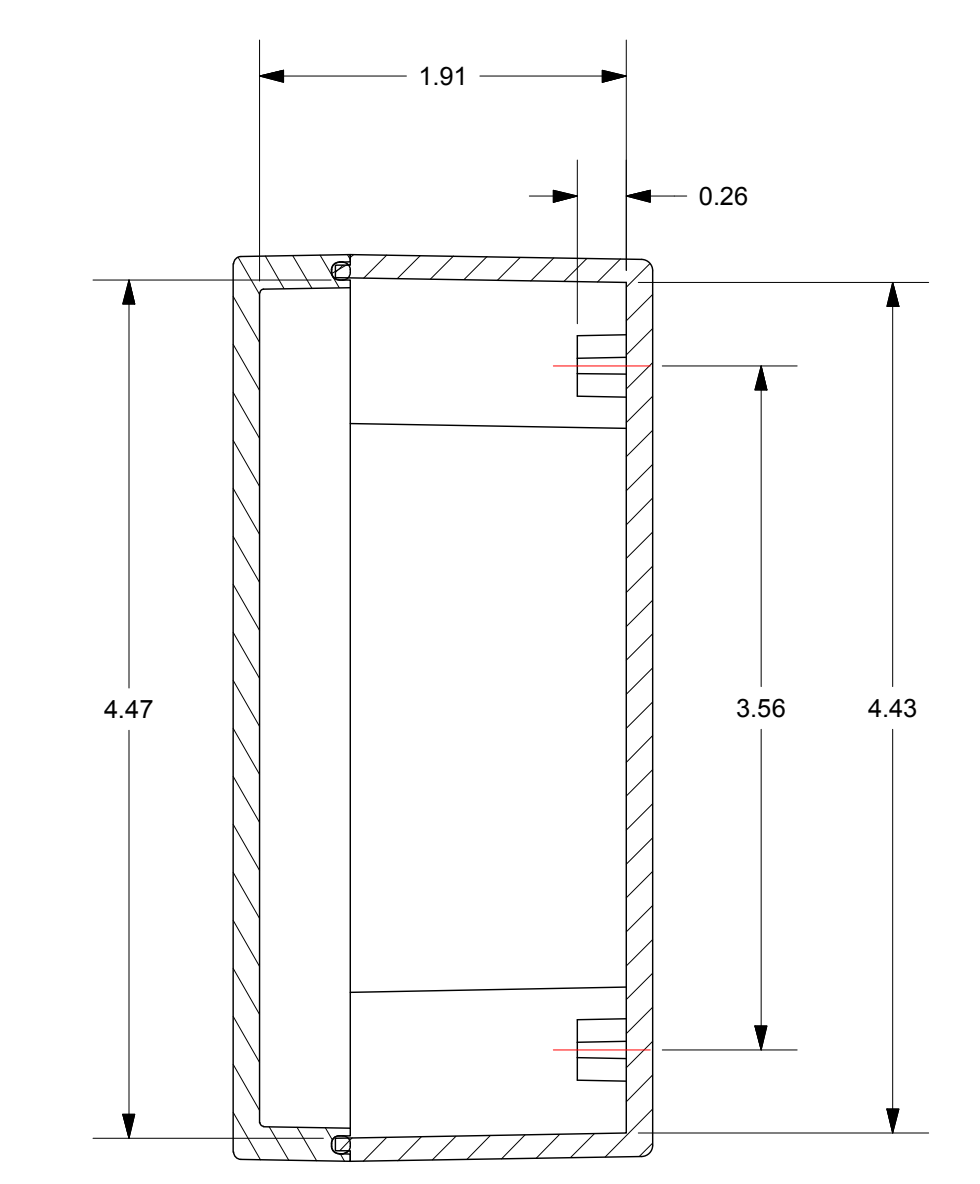
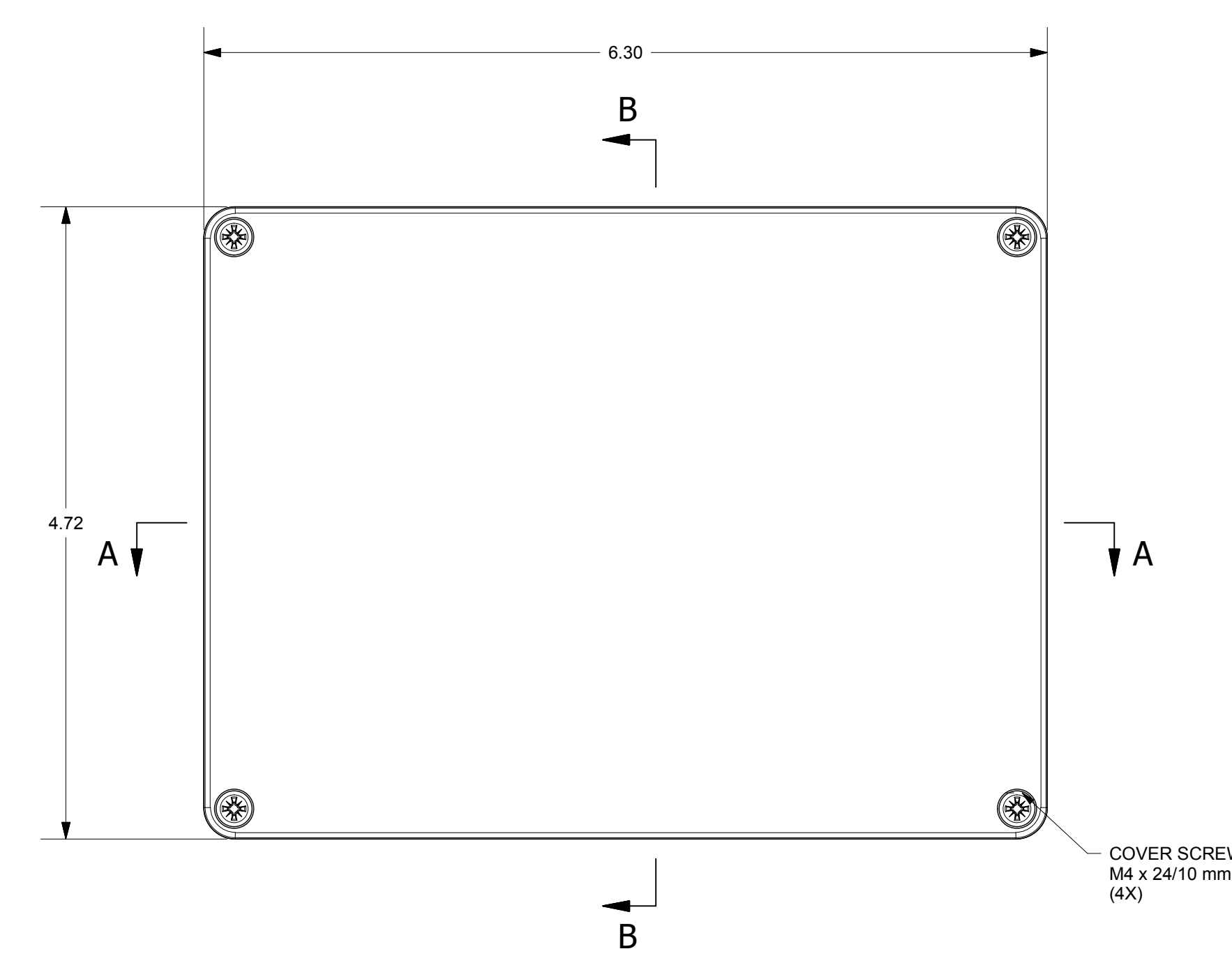
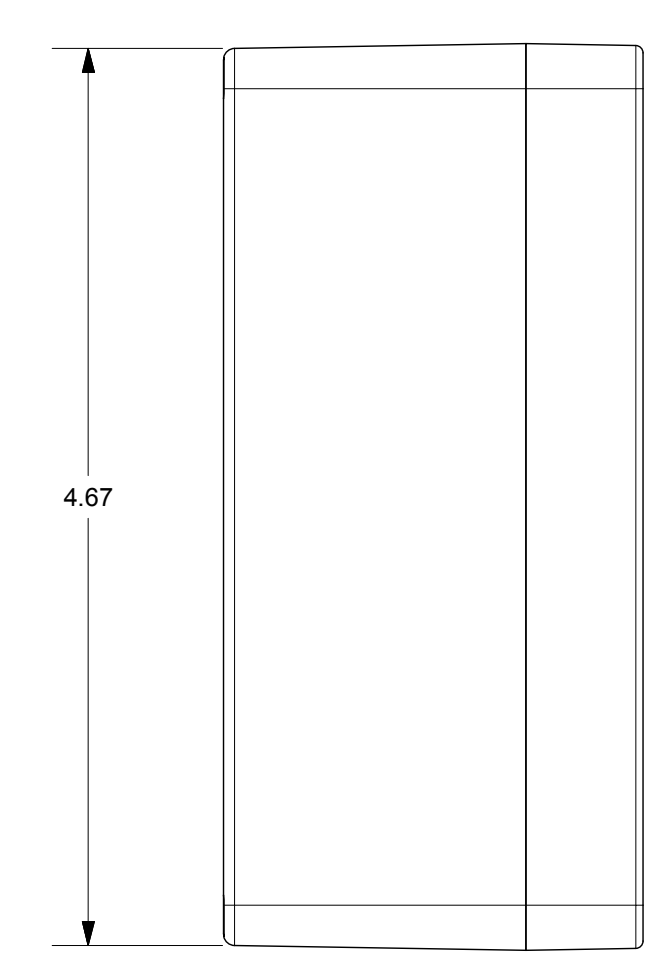
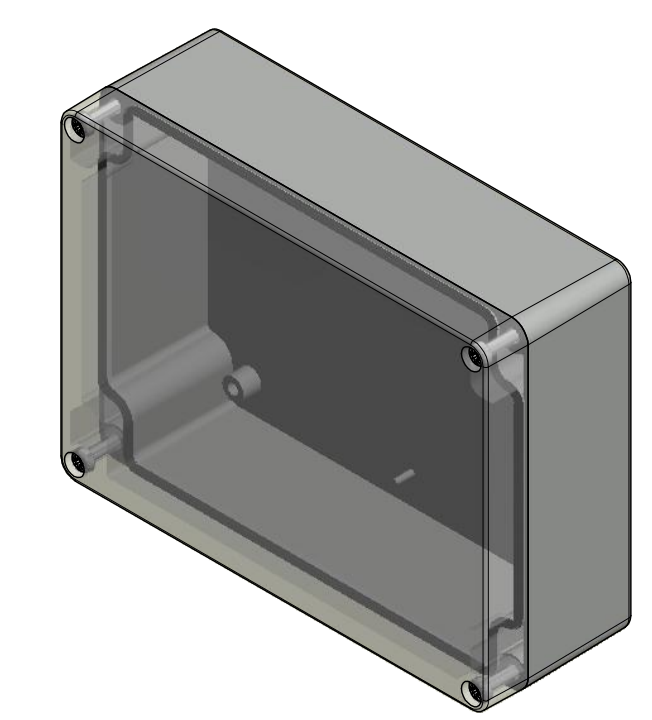
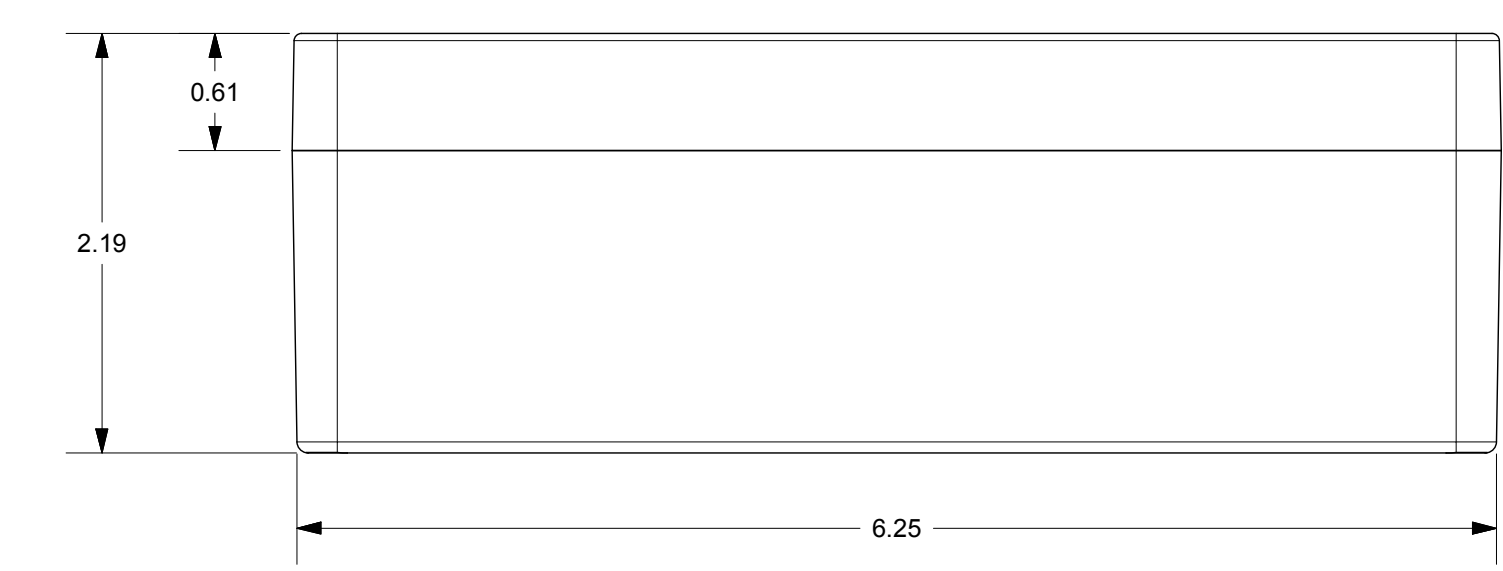
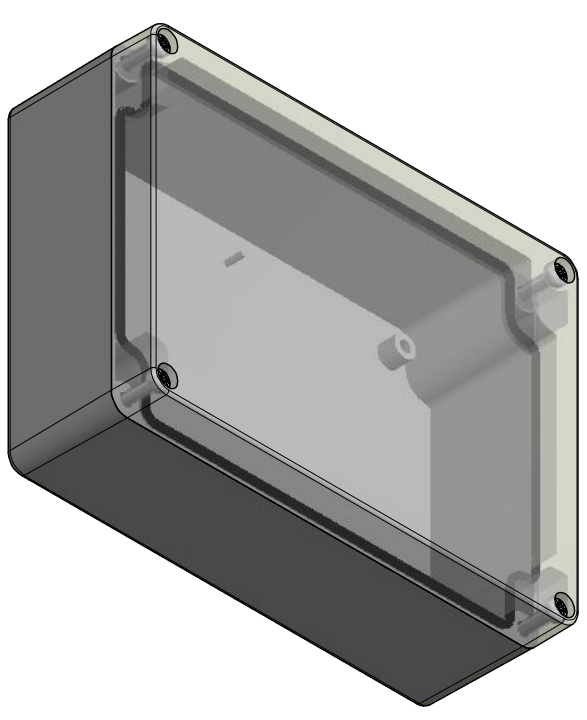
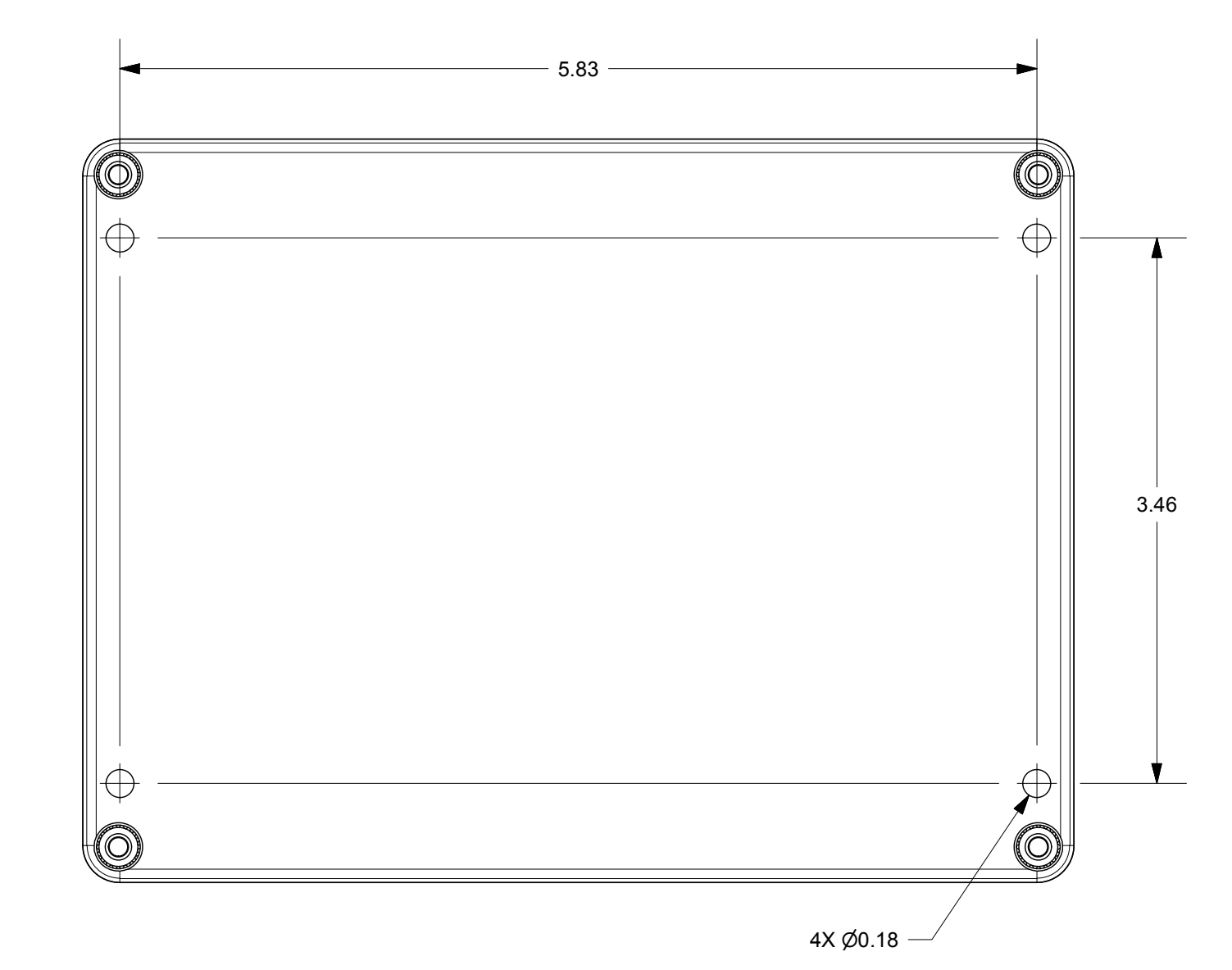


SECTION A-A




SECTION B-B



THIS DRAWING IS THE SOLE AND EXCLUSIVE PROPERTY OF ROBROY ENCLOSURES. NO PART OF THIS DRAWING MAY BE REPRODUCED, DISTRIBUTED, OR PUBLICALLY DISPLAYED IN ANY FORM OR BY ANY MEANS WITHOUT THE EXPRESS WRITTEN PERMISSION OF ROBROY ENCLOSURES. ALL RIGHTS RESERVED. UNDER THE COPYRIGHT LAWS. COPYRIGHT © 2017 ROBROY ENCLOSURES.

END USER NOTES:
1. TORQUE COVER SCREWS TO 9-17 IN.-LBS. TO MAINTAIN RATINGS.

SPECIAL REQUIREMENTS

NEMA 250: TYPE 1, 3R, 4, 4X, 12 IEC 60529: IP66 COLOR: LIGHT GREY COLOR STANDARD: RAL 7035		STANDARD P/N: STCC161255W CUSTOMER DWG:	ALL DIMENSIONS ARE IN INCHES UNLESS OTHERWISE SPECIFIED	TOLERANCES UNLESS SPECIFIED .XX ± 0.03 .XXX ± 0.010																									
MATERIAL: POLYCARBONATE		 Robroy Enclosures 500 Maple Street Belding, Michigan 48809 Phone: 616-794-0700 Fax: 616-749-3378																											
<table border="1"> <thead> <tr> <th>REV</th> <th>DESCRIPTION</th> <th>DATE</th> <th>ENG</th> </tr> </thead> <tbody> <tr><td>-</td><td>-</td><td>-</td><td>-</td></tr> <tr><td>-</td><td>-</td><td>-</td><td>-</td></tr> <tr><td>-</td><td>-</td><td>-</td><td>-</td></tr> <tr><td>-</td><td>-</td><td>-</td><td>-</td></tr> <tr><td>-</td><td>-</td><td>-</td><td>-</td></tr> <tr><td>-</td><td>-</td><td>-</td><td>-</td></tr> </tbody> </table>					REV	DESCRIPTION	DATE	ENG	-	-	-	-	-	-	-	-	-	-	-	-	-	-	-	-	-	-	-	-	-
REV	DESCRIPTION	DATE	ENG																										
-	-	-	-																										
-	-	-	-																										
-	-	-	-																										
-	-	-	-																										
-	-	-	-																										
-	-	-	-																										
<table border="1"> <thead> <tr> <th>DRAWN BY</th> <th>DATE</th> <th>CUSTOMER</th> <th>DWG</th> </tr> </thead> <tbody> <tr> <td>E91</td> <td>02/08/18</td> <td></td> <td>STCC161255W</td> </tr> </tbody> </table>		DRAWN BY	DATE	CUSTOMER	DWG	E91	02/08/18		STCC161255W	<table border="1"> <thead> <tr> <th>SCALE</th> <th>DESCRIPTION</th> <th>PART NUMBER</th> </tr> </thead> <tbody> <tr> <td>DO NOT SCALE</td> <td>STANDARD ENCLOSURE</td> <td>FESTCC161255W</td> </tr> </tbody> </table>		SCALE	DESCRIPTION	PART NUMBER	DO NOT SCALE	STANDARD ENCLOSURE	FESTCC161255W												
DRAWN BY	DATE	CUSTOMER	DWG																										
E91	02/08/18		STCC161255W																										
SCALE	DESCRIPTION	PART NUMBER																											
DO NOT SCALE	STANDARD ENCLOSURE	FESTCC161255W																											