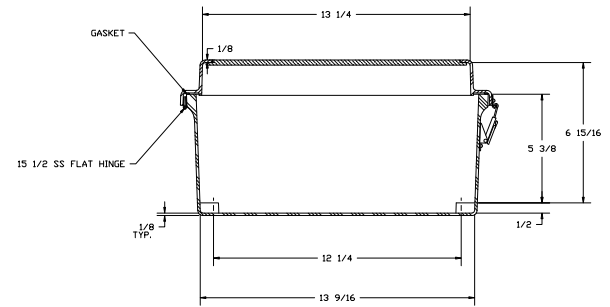
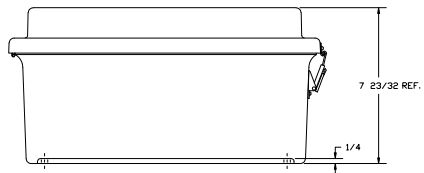


SECTION B-B



SECTION A-A

NOTES										
NEMA 4X					TOLERANCES		DECIMAL	FRACTIONAL		
COLOR GLACIER GRAY BR1013					UNLESS SPECIFIED		± .010	± 1/32		
MATERIAL				DR. BY	DATE	STAHLIN		ENCLOSURES		
F.R. POLYESTER FIBERGLASS				SH	8/20/01	BY BELDING MICHIGAN		48809		
LET.	REVISION RECORD	DATE	BY	CHK. BY	DATE	APP. BY	DATE	CUSTOMER	AMERICAN ENG. FILE	
SCALE				PART NAME		ENCLOSURE		PART NO.		
DO NOT SCALE								RJW1614HLL		