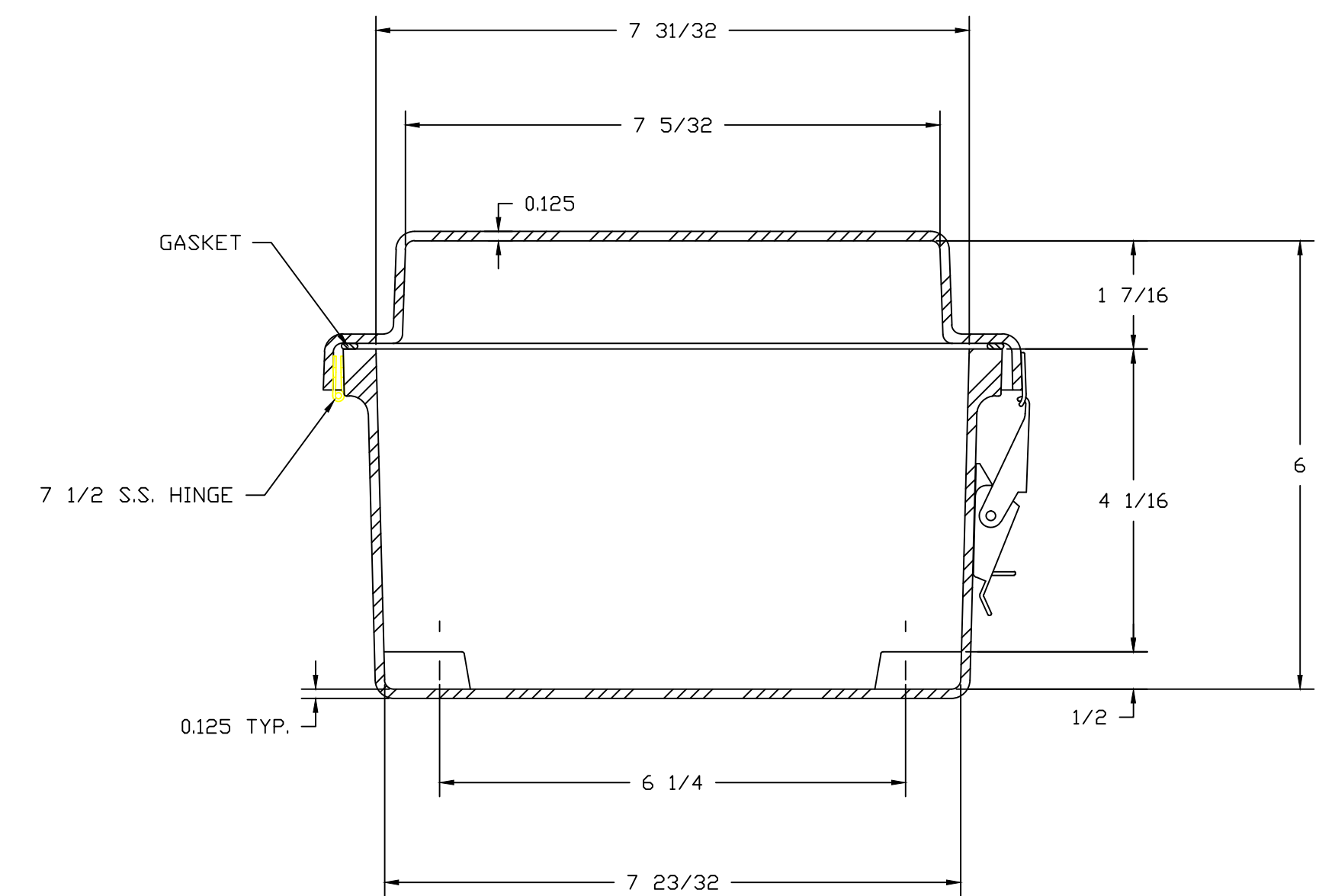
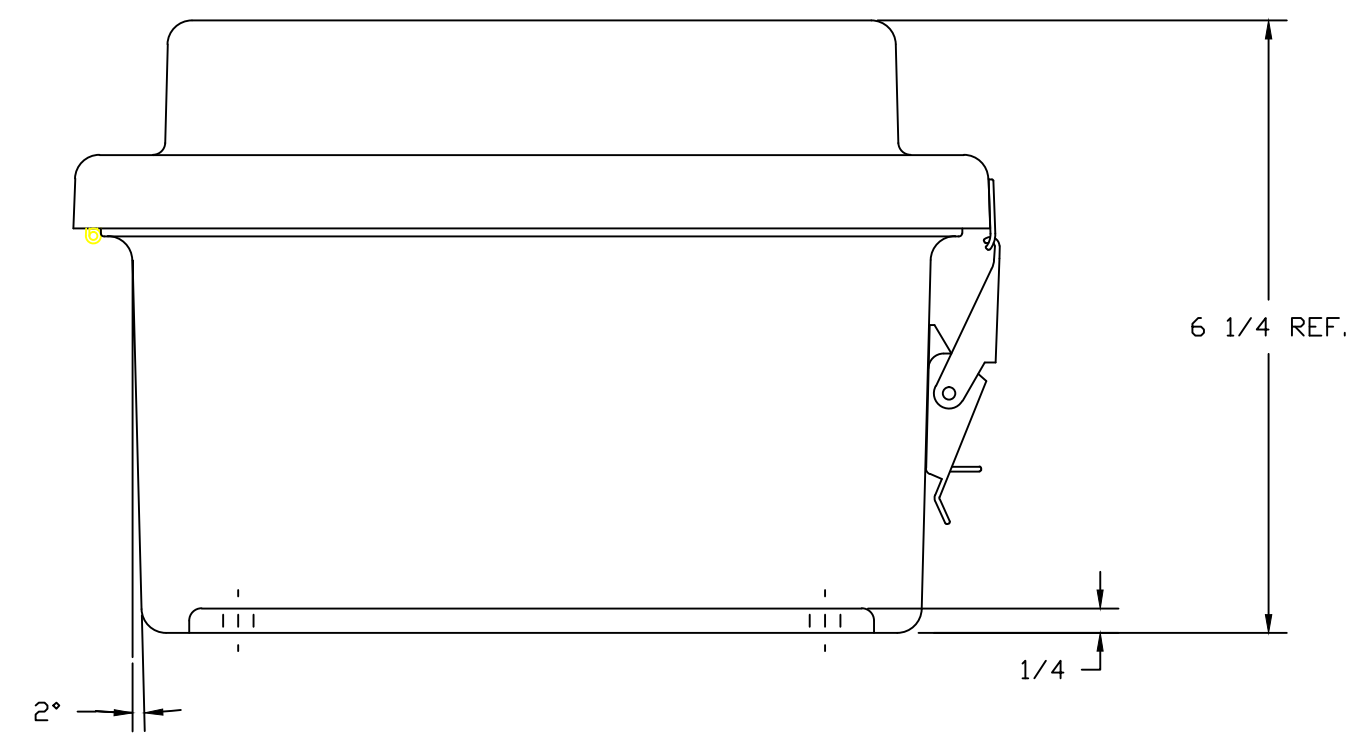


SECTION B-B



SECTION A-A

NOTES:

COLOR: GLACIER GRAY RR3013						TOLERANCES UNLESS SPECIFIED		DECIMAL .010	FRACTIONAL 1/32
MATERIAL NEMA 1, 3R, 4X, 6P, 12						DR. BY ZJB	DATE 3/2/04		
F.R. POLYESTER FIBERGLASS						CHK. BY	DATE		
LET.	REVISION RECORD	DATE	BY	CHD.	APD. BY	DATE	CUSTOMER	BELDING, MICHIGAN 48809	
SCALE DO NOT SCALE						PART NAME ENCLOSURE		PART NO. RJB08HPL	

AutoCAD DWG FILE RJB08HPL