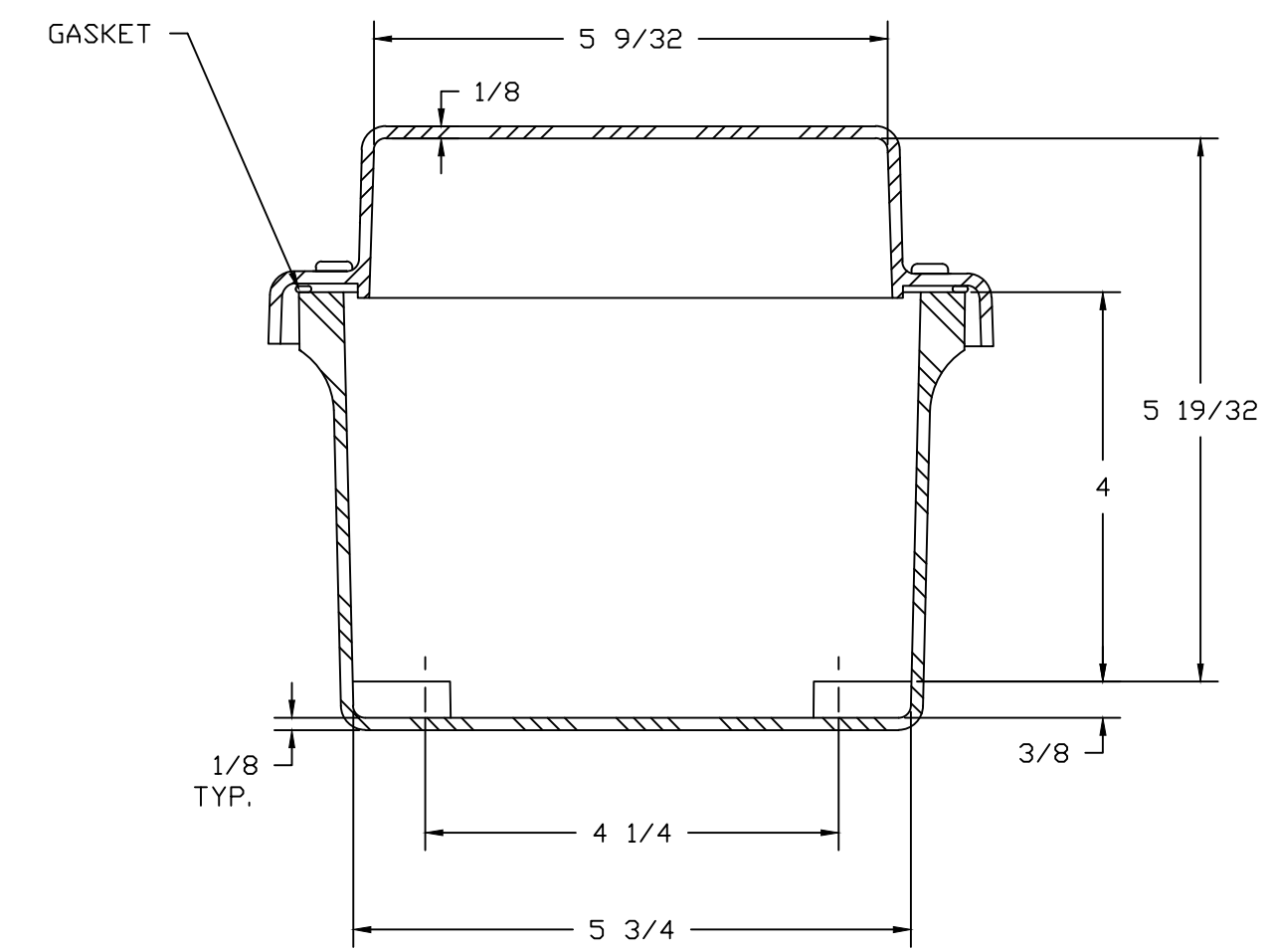
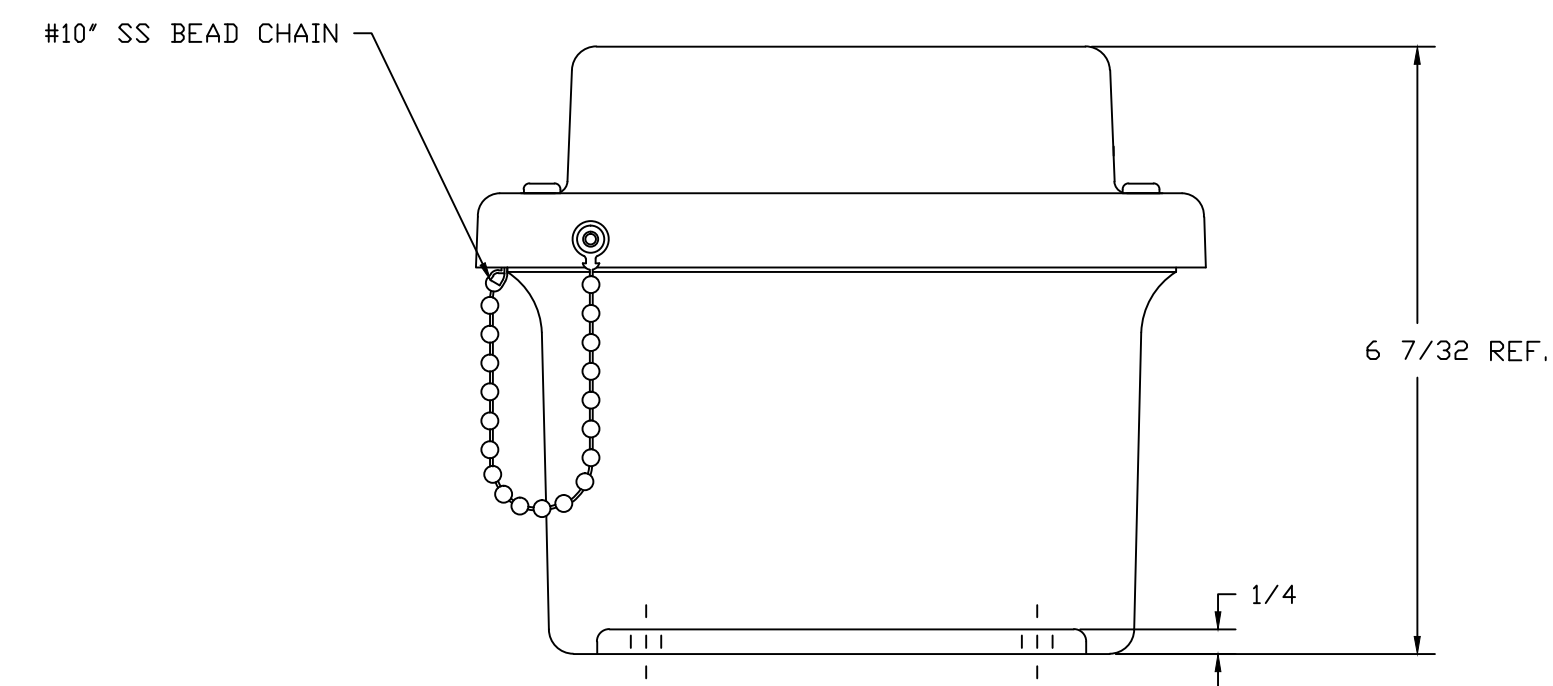


SECTION B-B



SECTION A-A

NOTES:

NEMA 4X		TOLERANCES UNLESS SPECIFIED		DECIMAL ± .010	FRACTIONAL ± 1/32
COLD R. GLACIER GRAY RR1013					
MATERIAL	F.R. POLYESTER FIBERGLASS (SMC RR1001)	DR. BY	SH	DATE	7/8/91
LET.	REVISION RECORD	DATE	BY	CHK. BY	CHD.
		APD. BY	DATE		
		SCALE			PART NAME
		DO NOT SCALE			ENCLOSURE
		PART NO.			RJ806W

STAHLIN ENCLOSURES DIVISION OF ROBOBY INDUSTRIES

BELDING, MICHIGAN 48809

AutoCAD DWG. FILE RJ806W