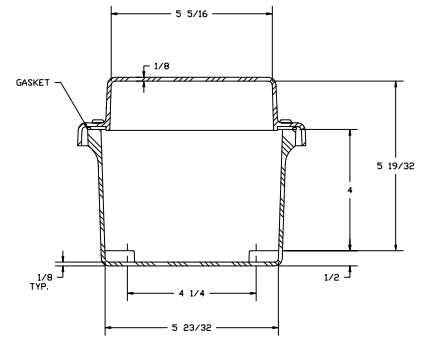
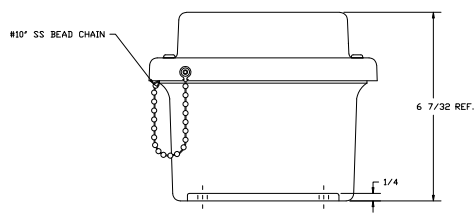


SECTION B-B



SECTION A-A

NOTES										
NEMA 4X					TOLERANCES UNLESS SPECIFIED					
COLOR GLACIER GRAY RR1013					DECIMAL	FRACTIONAL				
					±.010	± 1/32				
MATERIAL			F.R. POLYESTER FIBERGLASS		DR. BY	SH	DATE	STAHLIN ENCLOSURES SYSTEMS OF ROBERT INDUSTRIES		
LET.			REVISION RECORD		DATE	BY	CHK. BY	DATE	BELDING MICHIGAN 48809	
									AMERICAN ENG. FILE	
							APP. BY	DATE	CUSTOMER	
									PART NAME	
							SCALE	ENCLOSURE		PART NO.
							DO NOT SCALE			RJ606V