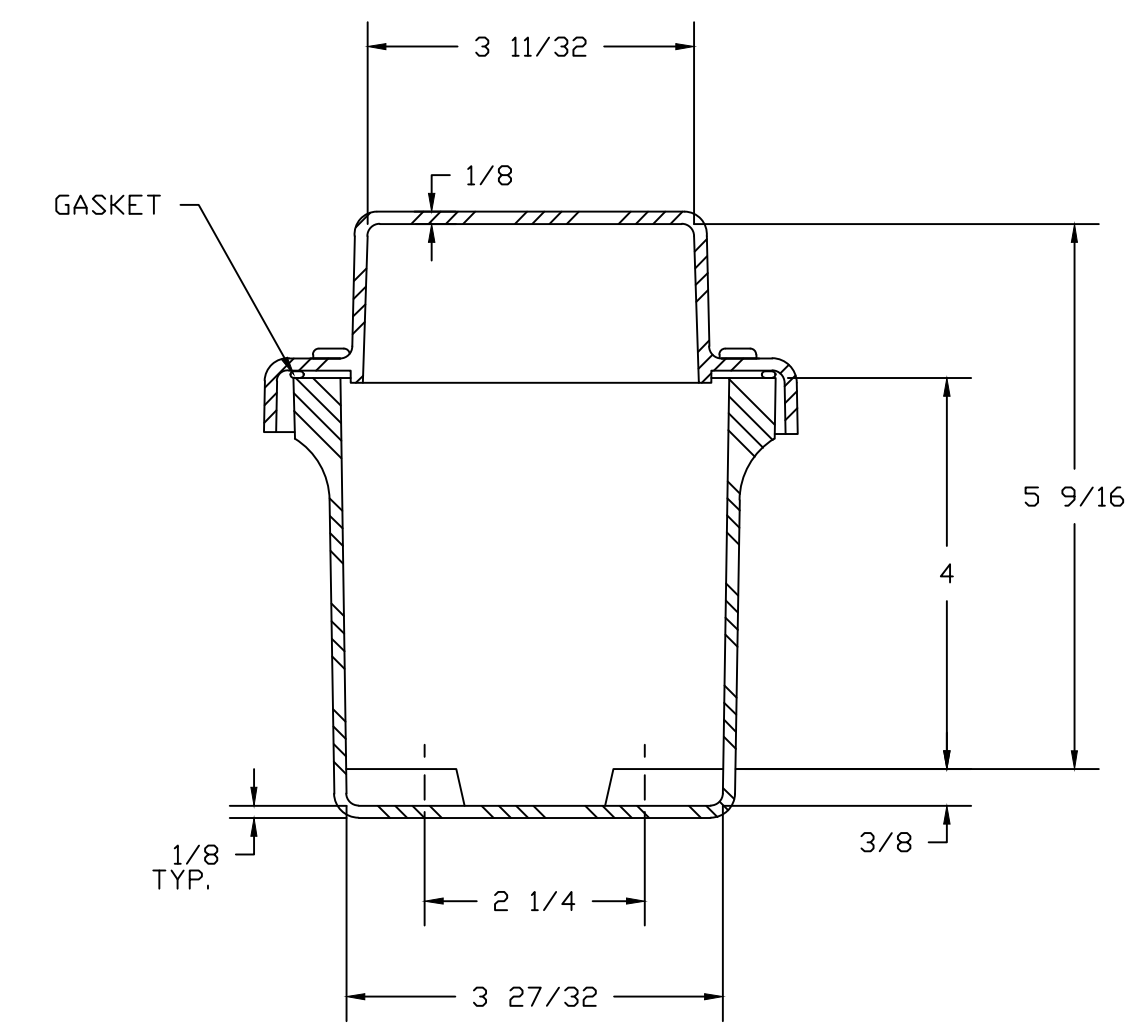
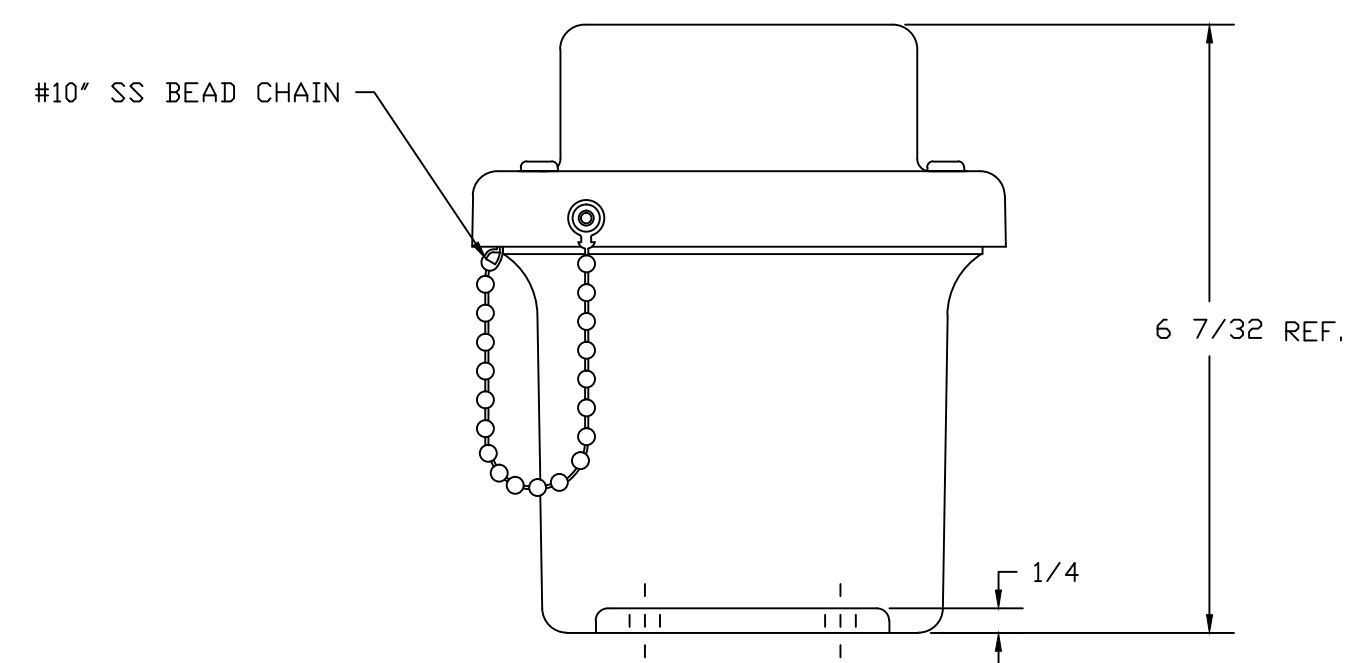



SECTION B-B



SECTION A-A

NOTES:

NEMA 4X		TOLERANCES UNLESS SPECIFIED		DECIMAL ±.010	FRACTIONAL ± 1/32
COLD R. GLACIER GRAY RR1013					
MATERIAL	F.R. POLYESTER FIBERGLASS	DR. BY SH	DATE 6/14/91	 BELDING, MICHIGAN 48809	
LET.	REVISION RECORD	DATE	BY		
		APD. BY	DATE	CUSTOMER	
		SCALE	DO NOT SCALE	PART NAME	PART NO.
				ENCLOSURE	RJ604W

AutoCAD DWG. FILE RJ604W