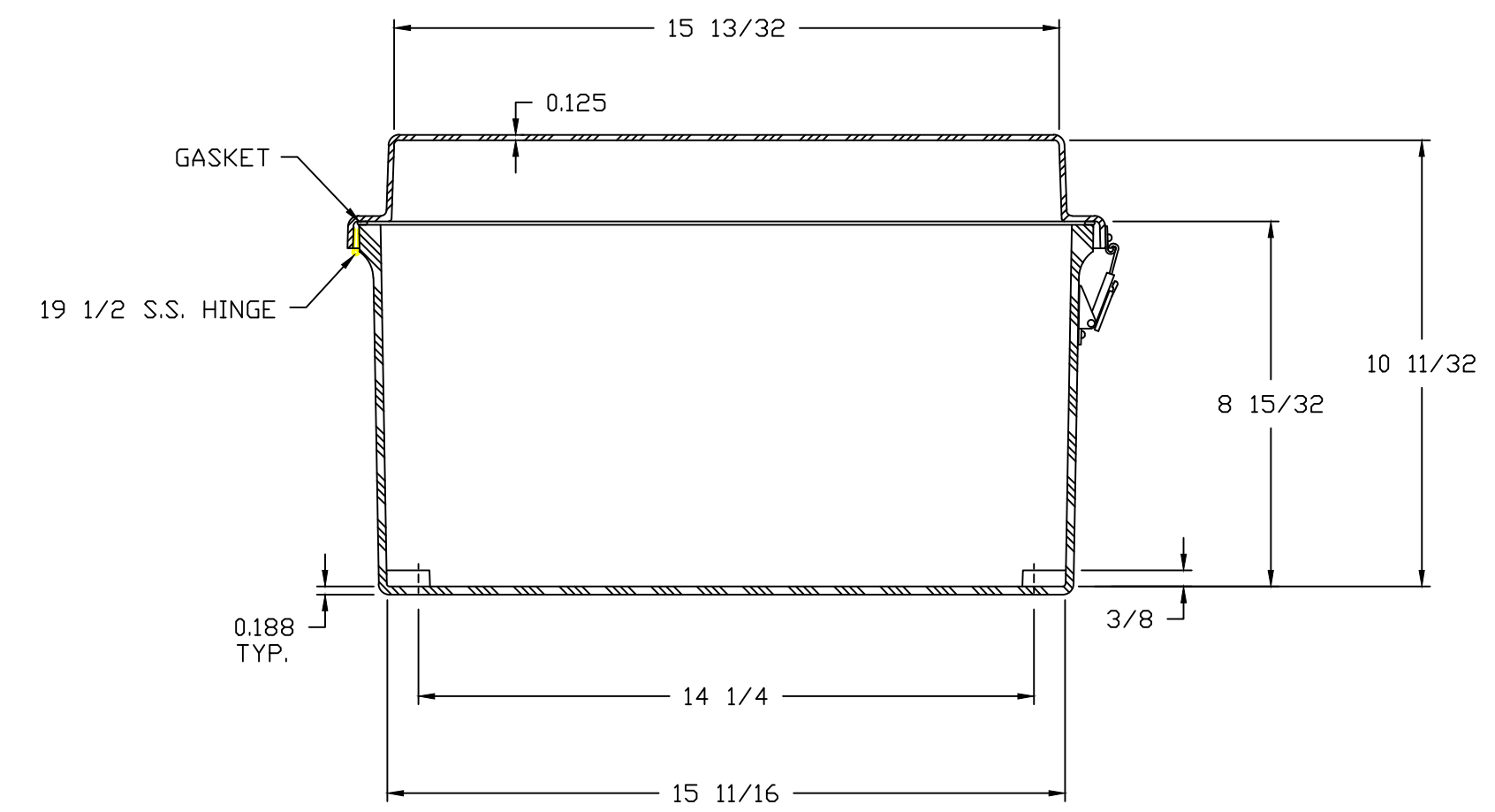
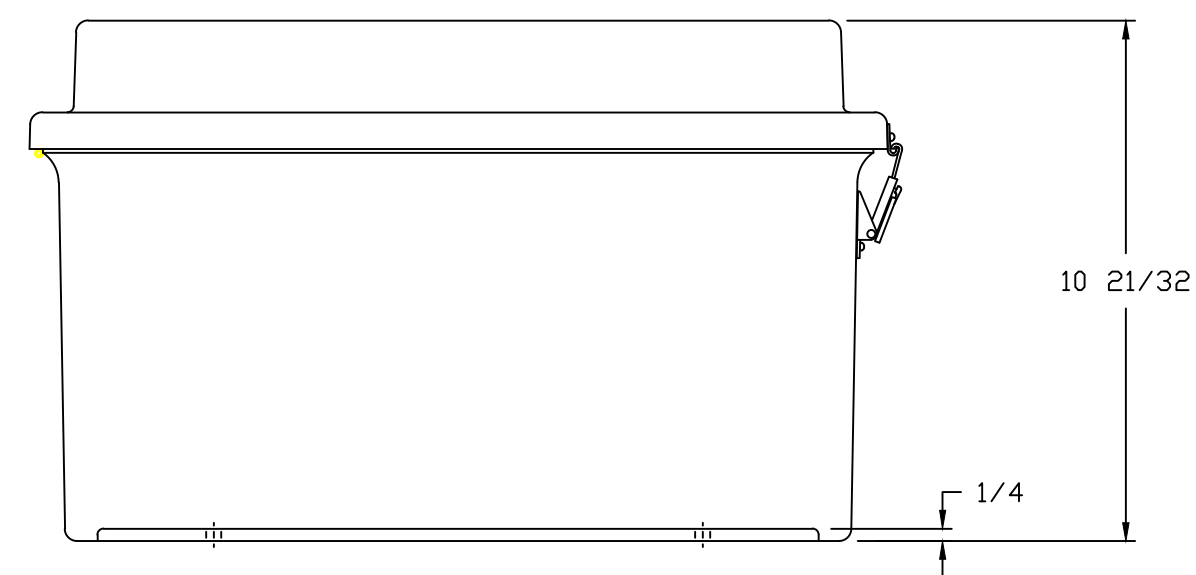


SECTION B-B



SECTION A-A

NOTES:

NEMA 4X		TOLERANCES UNLESS SPECIFIED		DECIMAL ±.010	FRACTIONAL ± 1/32
COLOR GLACIER GRAY RR1013					
MATERIAL	F.R. POLYESTER FIBERGLASS	DR. BY	GF	DATE	3/30/00
LET.	REVISION RECORD	DATE	BY	CHD.	CHK. BY
					DATE
		APD. BY		DATE	CUSTOMER
		SCALE	DO NOT SCALE	PART NAME	ENCLOSURE
				PART NO.	RJ2016HLL

STAHLIN
ENCLOSURES
DIVISION OF ROBROY INDUSTRIES

BELDING, MICHIGAN 48809

AutoCAD DWG FILE
RJ2016HLL