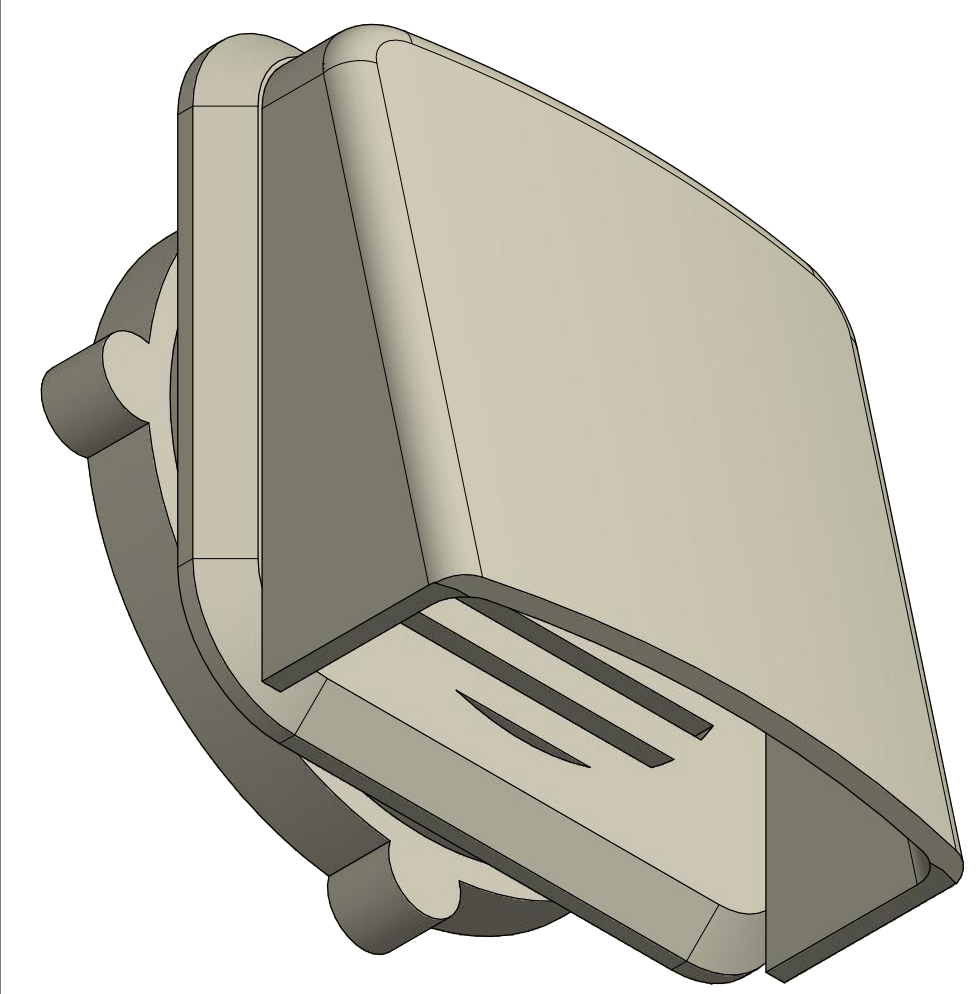
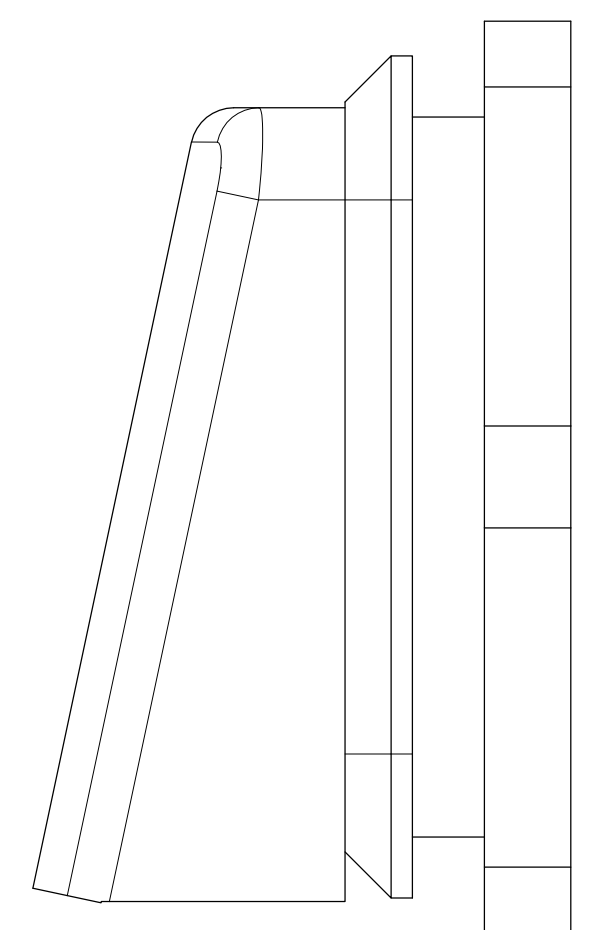
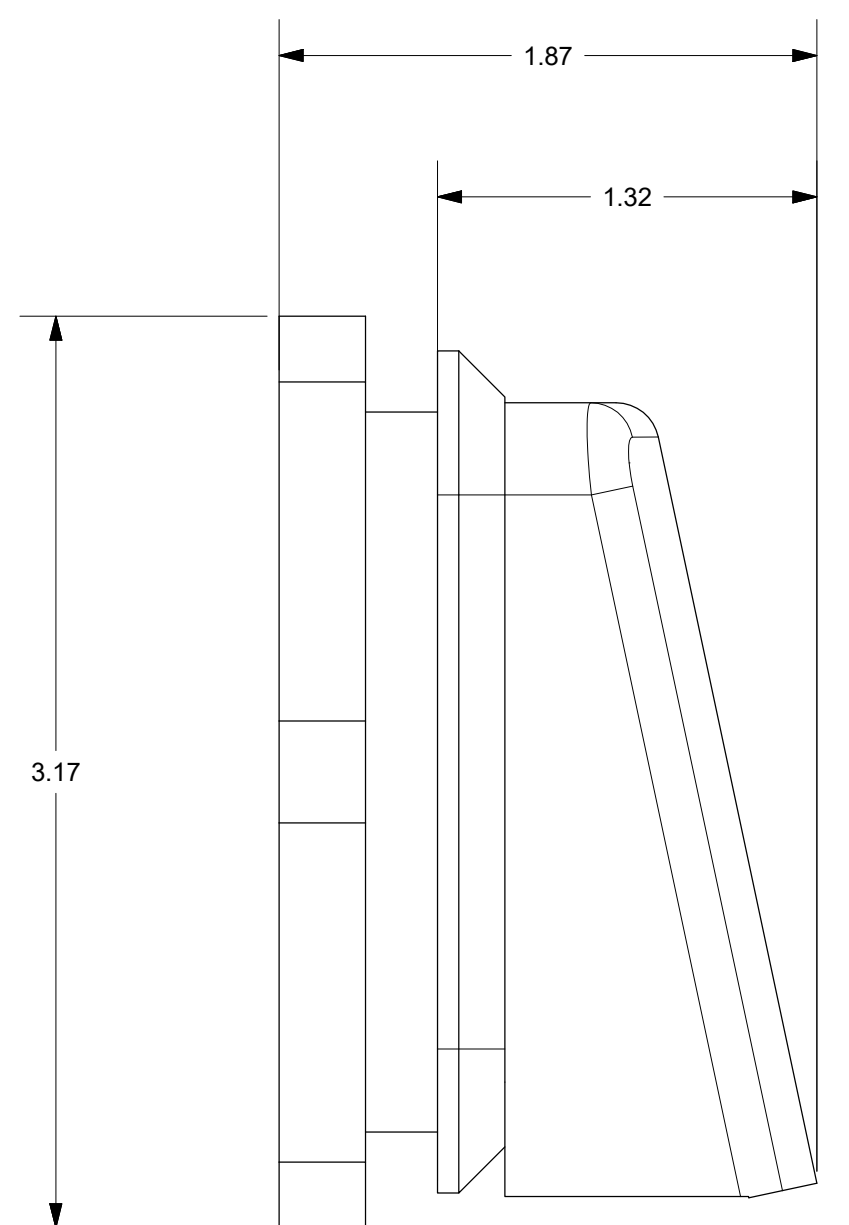
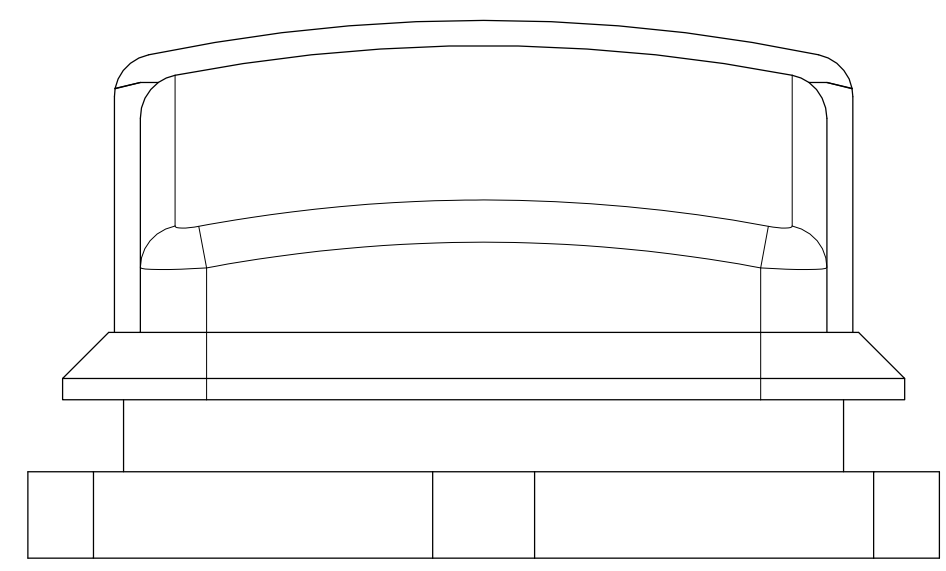
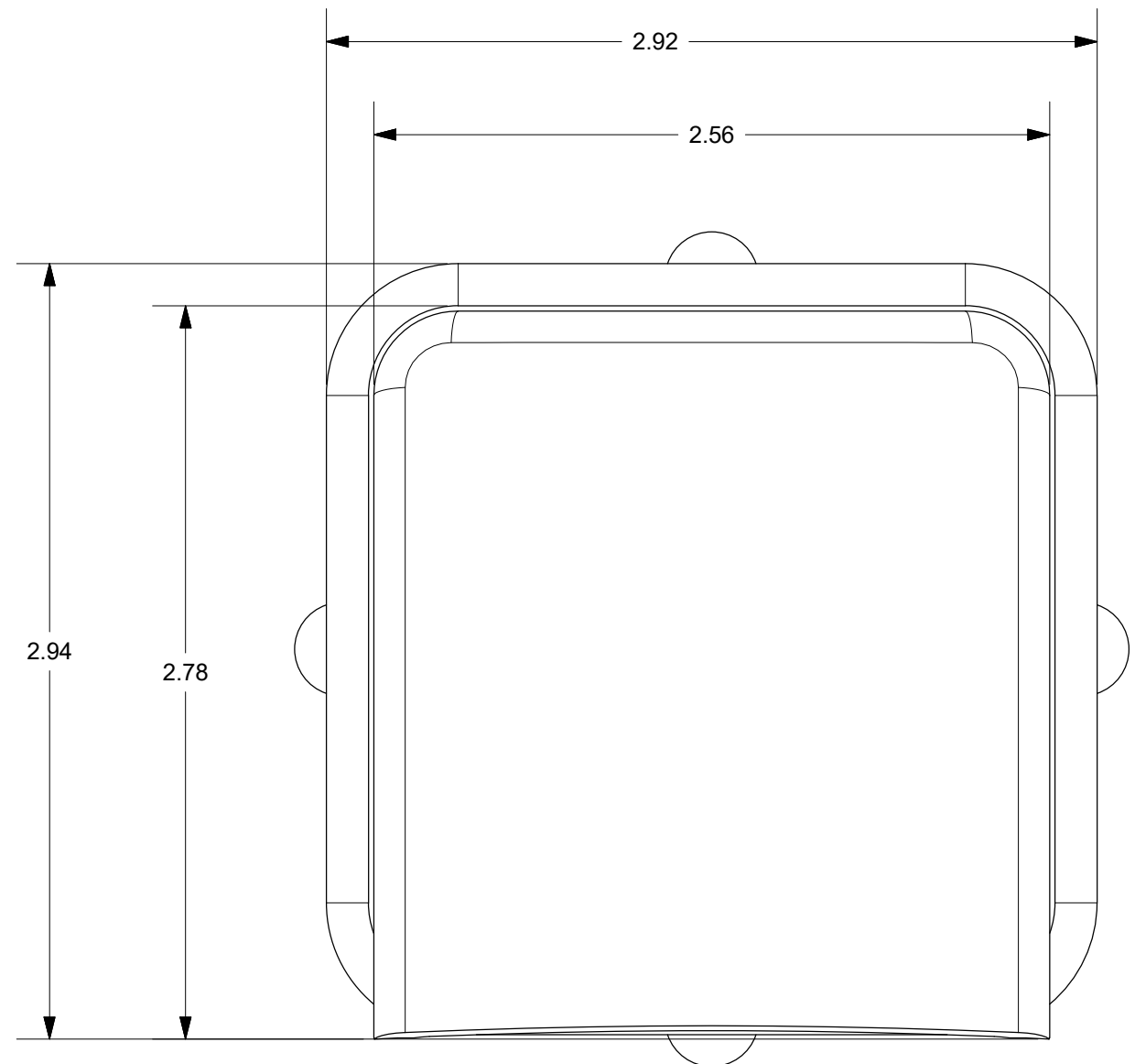
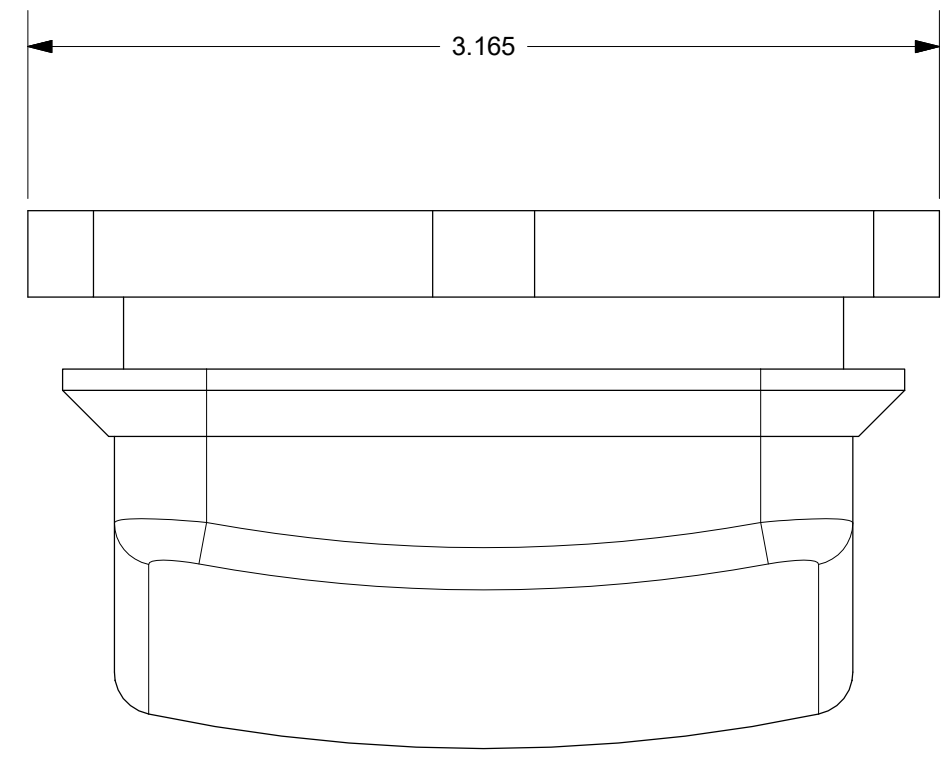



Ø2.17



THIS DRAWING IS THE SOLE AND EXCLUSIVE PROPERTY OF ROBROY ENCLOSURES. NO PART OF THIS DRAWING MAY BE REPRODUCED, DISTRIBUTED, OR PUBLICALLY DISPLAYED IN ANY FORM OR BY ANY MEANS WITHOUT THE EXPRESS WRITTEN PERMISSION OF ROBROY ENCLOSURES. ALL RIGHTS RESERVED. UNDER THE COPYRIGHT LAWS. COPYRIGHT © 2018 ROBROY ENCLOSURES

SPECIAL REQUIREMENTS

NEMA 250: TYPE N/A IEC 60529: N/A		STANDARD P/N: REV60	ALL DIMENSIONS ARE IN INCHES UNLESS OTHERWISE SPECIFIED		TOLERANCES UNLESS SPECIFIED	.XX ± 0.03	.XXX ± 0.010
COLOR: COLOR STANDARD: PANTONE 7541 C		CUSTOMER DWG:	 Robroy Enclosures 500 Maple Street Belding, Michigan 48809 Phone: 616-794-0700 Fax: 616-749-3378				
MATERIAL:							
REVISION HISTORY			DRAWN BY	DATE	CUSTOMER		DWG
REV	DESCRIPTION	DATE	ENG	AJC	03/13/18		REV60
-	-	-	-				
-	-	-	-				
-	-	-	-				
-	-	-	-				
-	-	-	-				
DO NOT SCALE			SCALE	DESCRIPTION		PART NUMBER	
				ROBROY ENCLOSURES		REV60	