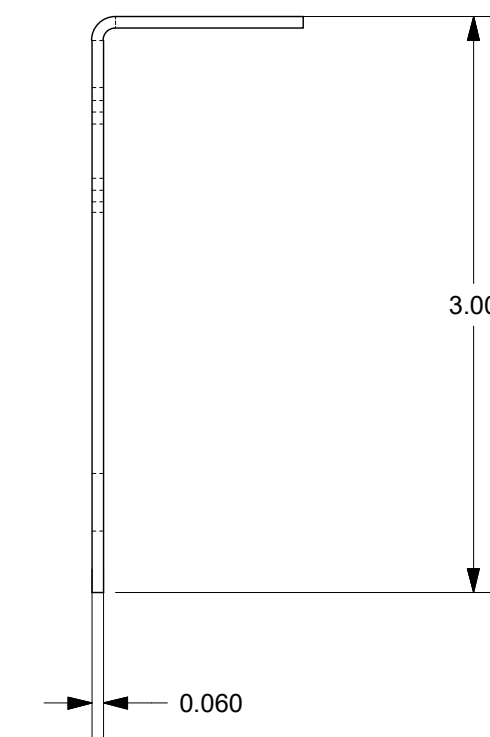
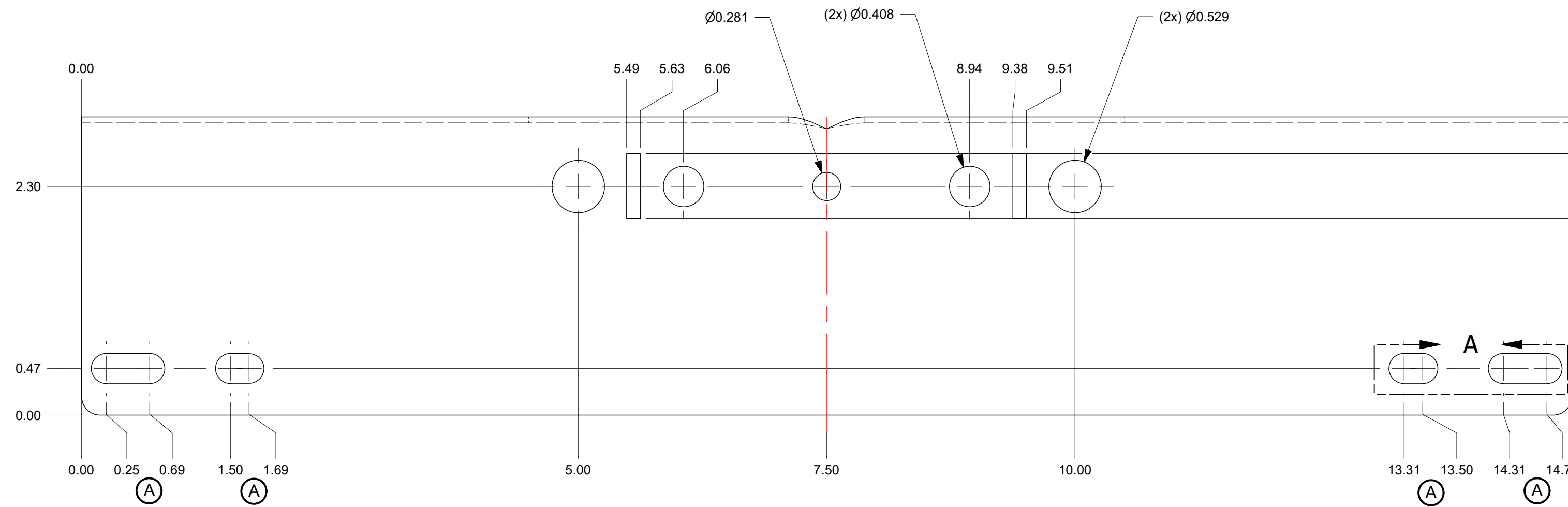


DETAIL A  
(2x)



NOTES:  
1. REMOVE ALL BURRS AND SHARP EDGES.

THIS DRAWING IS THE SOLE AND EXCLUSIVE PROPERTY OF ROBROY ENCLOSURES. NO PART OF THIS DRAWING MAY BE REPRODUCED, DISTRIBUTED, OR PUBLICALLY DISPLAYED IN ANY FORM OR BY ANY MEANS WITHOUT THE EXPRESS WRITTEN PERMISSION OF ROBROY ENCLOSURES. ALL RIGHTS RESERVED. UNDER THE COPYRIGHT LAWS. COPYRIGHT © 2018 ROBROY ENCLOSURES.

**SPECIAL REQUIREMENTS**

NEMA 250: TYPE N/A IEC 60529: N/A COLOR: N/A COLOR STANDARD: N/A		STANDARD P/N: RMPM14-16 CUSTOMER DWG: N/A	ALL DIMENSIONS ARE IN INCHES UNLESS OTHERWISE SPECIFIED	TOLERANCES UNLESS SPECIFIED	.XX ± 0.03 .XXX ± 0.010																																				
MATERIAL: 16 GA. CRS FINISH: POWDER COAT GRAY-7035																																									
<table border="1"> <thead> <tr> <th>REV</th> <th>DESCRIPTION</th> <th>DATE</th> <th>ENG</th> <th colspan="2"></th> </tr> </thead> <tbody> <tr> <td>A</td> <td>PER ECR 6393; ADDED ADDITIONAL HOLES</td> <td>1/5/18</td> <td>AA</td> <td colspan="2"></td> </tr> <tr> <td>-</td> <td>-</td> <td>-</td> <td>-</td> <td colspan="2"></td> </tr> <tr> <td>-</td> <td>-</td> <td>-</td> <td>-</td> <td colspan="2"></td> </tr> <tr> <td>-</td> <td>-</td> <td>-</td> <td>-</td> <td colspan="2"></td> </tr> <tr> <td>-</td> <td>-</td> <td>-</td> <td>-</td> <td colspan="2"></td> </tr> </tbody> </table>						REV	DESCRIPTION	DATE	ENG			A	PER ECR 6393; ADDED ADDITIONAL HOLES	1/5/18	AA			-	-	-	-			-	-	-	-			-	-	-	-			-	-	-	-		
REV	DESCRIPTION	DATE	ENG																																						
A	PER ECR 6393; ADDED ADDITIONAL HOLES	1/5/18	AA																																						
-	-	-	-																																						
-	-	-	-																																						
-	-	-	-																																						
-	-	-	-																																						
DRAWN BY: AA		DATE: 5/1/18	CUSTOMER:	DWG: RMPM14-16																																					
SCALE: DO NOT SCALE		DESCRIPTION: POLE MOUNT BRACKET	PART NUMBER: RMPM14-16																																						

**STAHLIN**  
Robroy Enclosures  
500 Maple Street  
Belding, Michigan 48809  
Phone: 616-794-0700  
Fax: 616-749-3378