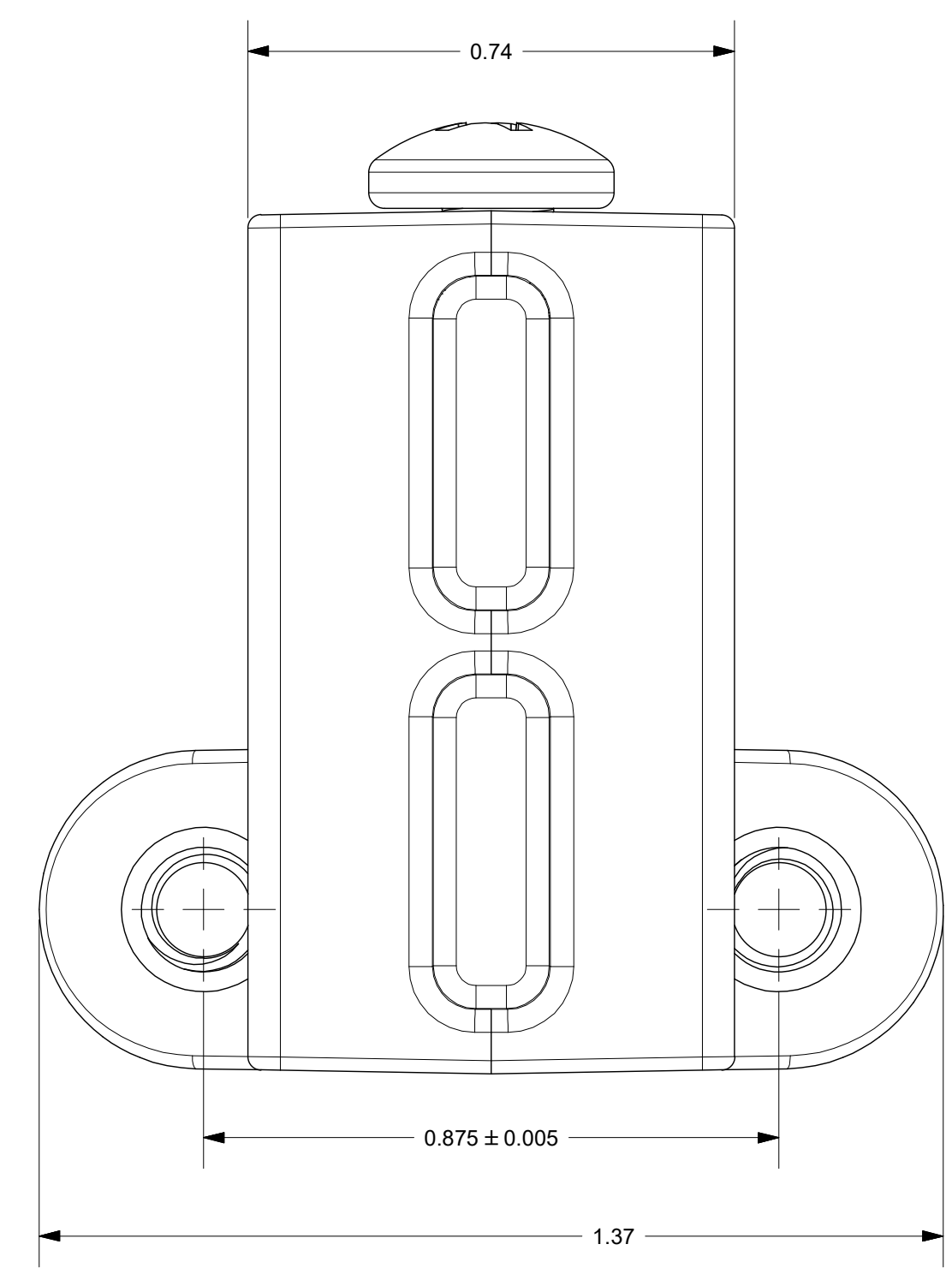
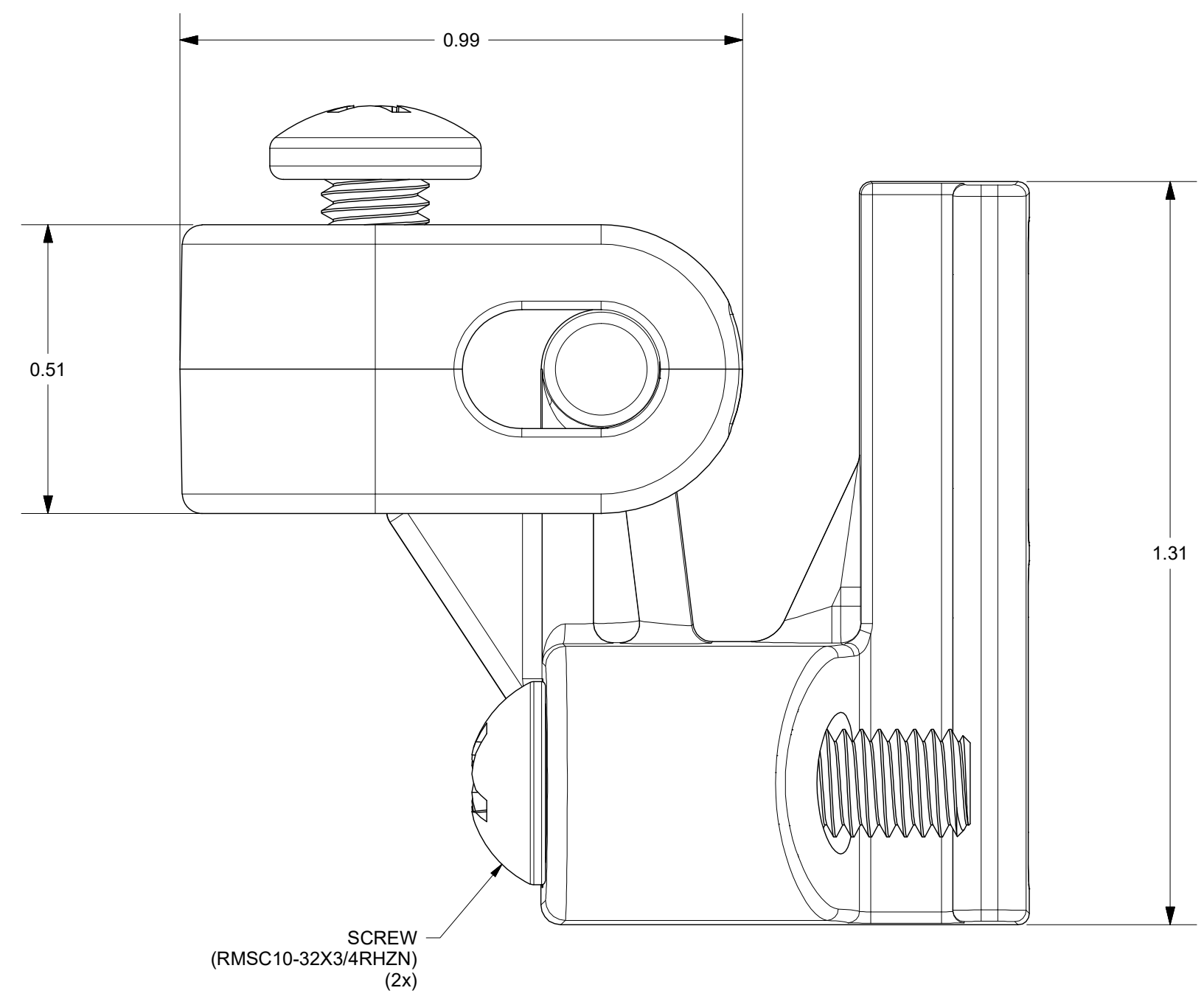
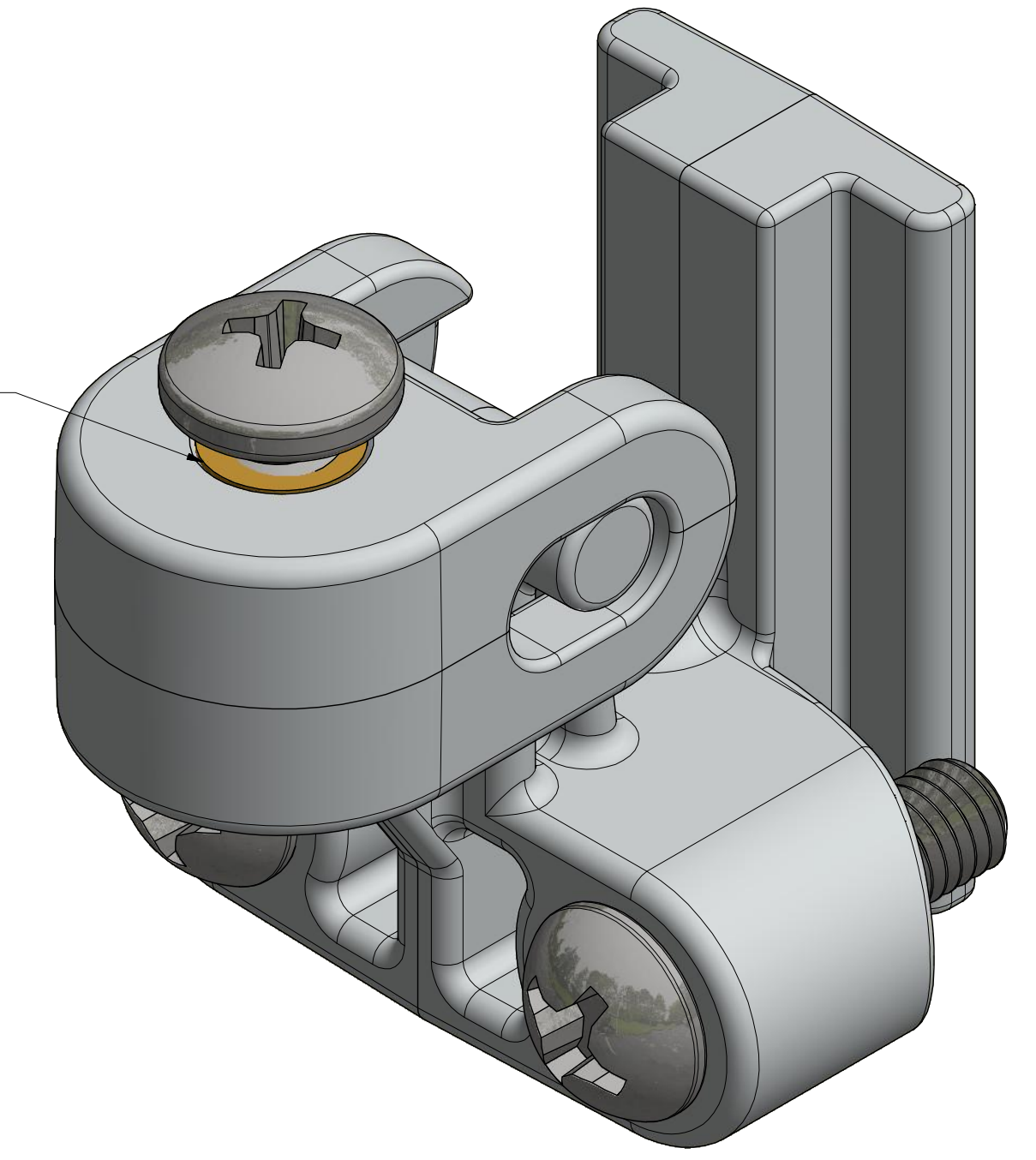



#10-32 BRASS INSERT (3x)



THIS DRAWING IS THE SOLE AND EXCLUSIVE PROPERTY OF ROBROY ENCLOSURES. NO PART OF THIS DRAWING MAY BE REPRODUCED, DISTRIBUTED, OR PUBLICALLY DISPLAYED IN ANY FORM OR BY ANY MEANS WITHOUT THE EXPRESS WRITTEN PERMISSION OF ROBROY ENCLOSURES. ALL RIGHTS RESERVED. UNDER THE COPYRIGHT LAWS. COPYRIGHT © 2016 ROBROY ENCLOSURES

**SPECIAL REQUIREMENTS**

**ASSEMBLY:**  
 1. SWING PANEL MOUNT KIT INCLUDES THE FOLLOWING:  
 -(4) SWING PANEL MOUNTS (RMAHSPM-001)  
 -(1) #10-32 x 3/8 SCREW (RMSC10/32X3/8ZN)  
 -(2) #10-32 x 3/4 SCREWS (RMSC10-32X3/4RHZN)  
 -(1) 2 x 2 ZIP-LOCK BAG (RM2X2BAGZL)  
 -(1) 4 x 6 ZIP-LOCK BAG (RM4X6BAGZL)

NEMA 250: TYPE	N/A	STANDARD P/N:	PCSPMK	ALL DIMENSIONS ARE IN INCHES UNLESS OTHERWISE SPECIFIED	TOLERANCES UNLESS SPECIFIED	.XX ± 0.03	.XXX ± 0.010
IEC 60529:	N/A	CUSTOMER DWG:		 <b>Robroy Enclosures</b> 500 Maple Street Belding, Michigan 48809 Phone: 616-794-0700 Fax: 616-749-3378			
COLOR:	N/A						
MATERIAL: POLYCARBONATE							
REVISION HISTORY							
REV	DESCRIPTION	DATE	ENG				
-	-	-	-				
-	-	-	-				
-	-	-	-				
-	-	-	-				
DRAWN BY		DATE	CUSTOMER	PART NUMBER		DWG	
DRH		08/30/16		SWING PANEL MOUNT KIT		PCSPMK	
SCALE		DO NOT SCALE		FEPCSPMK			