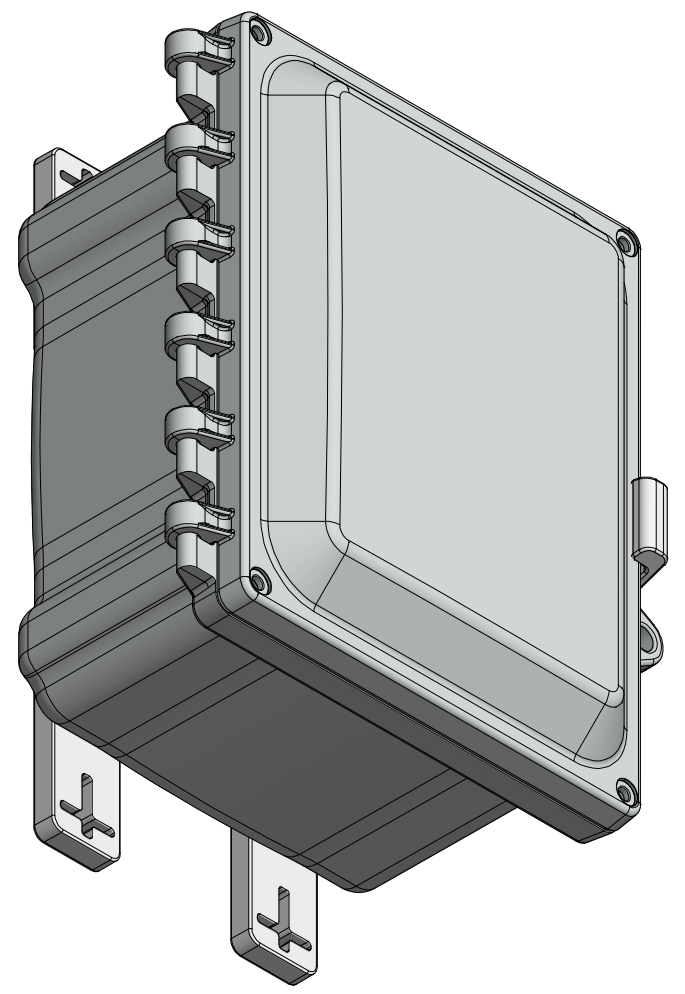
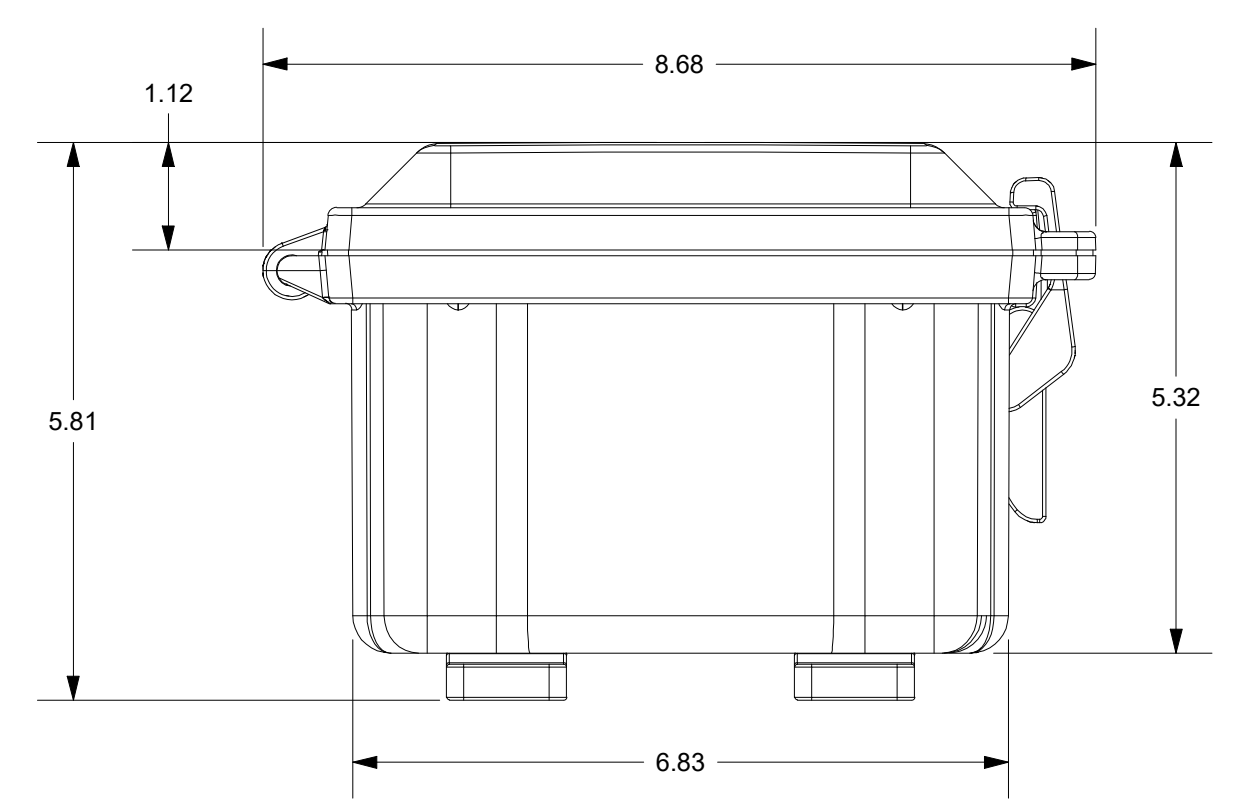
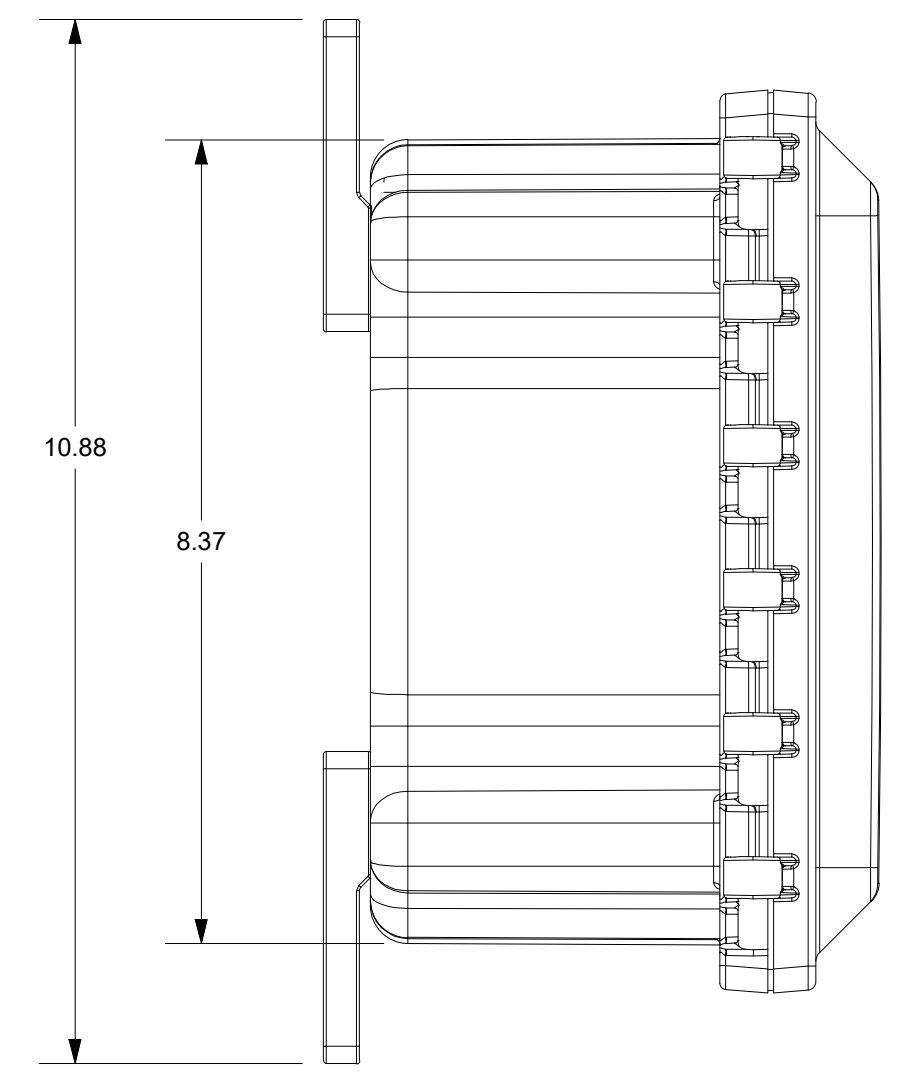
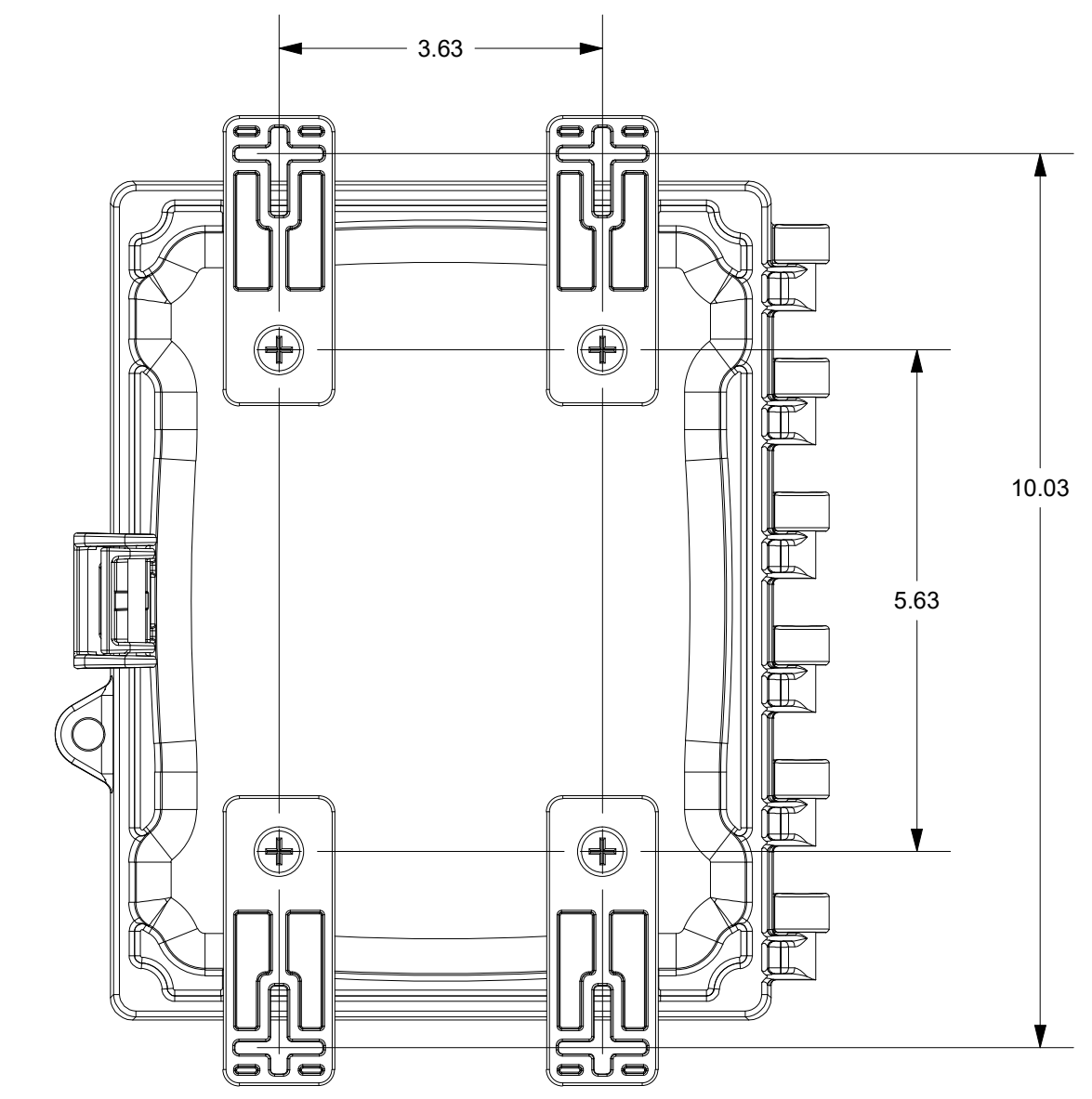
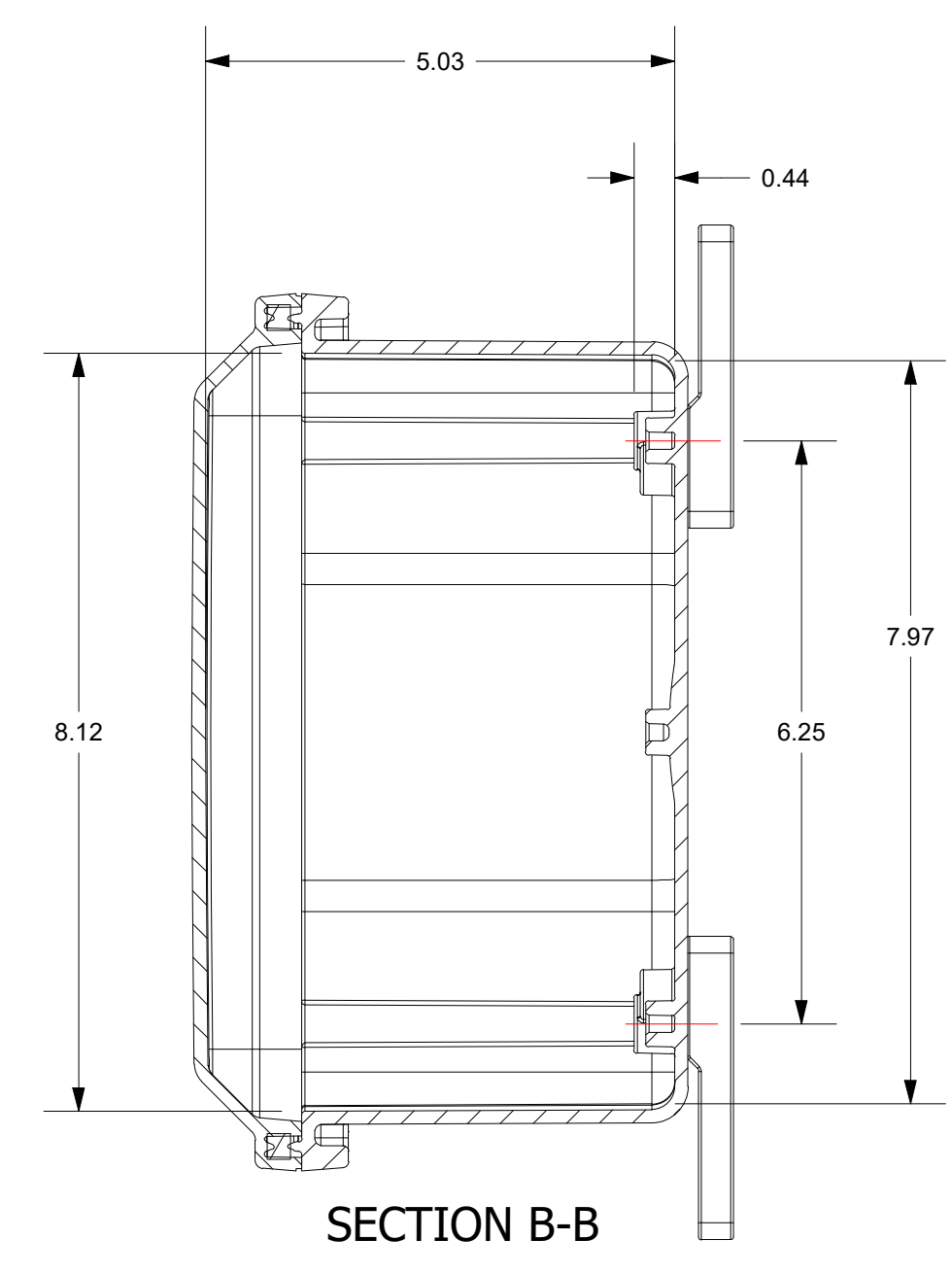
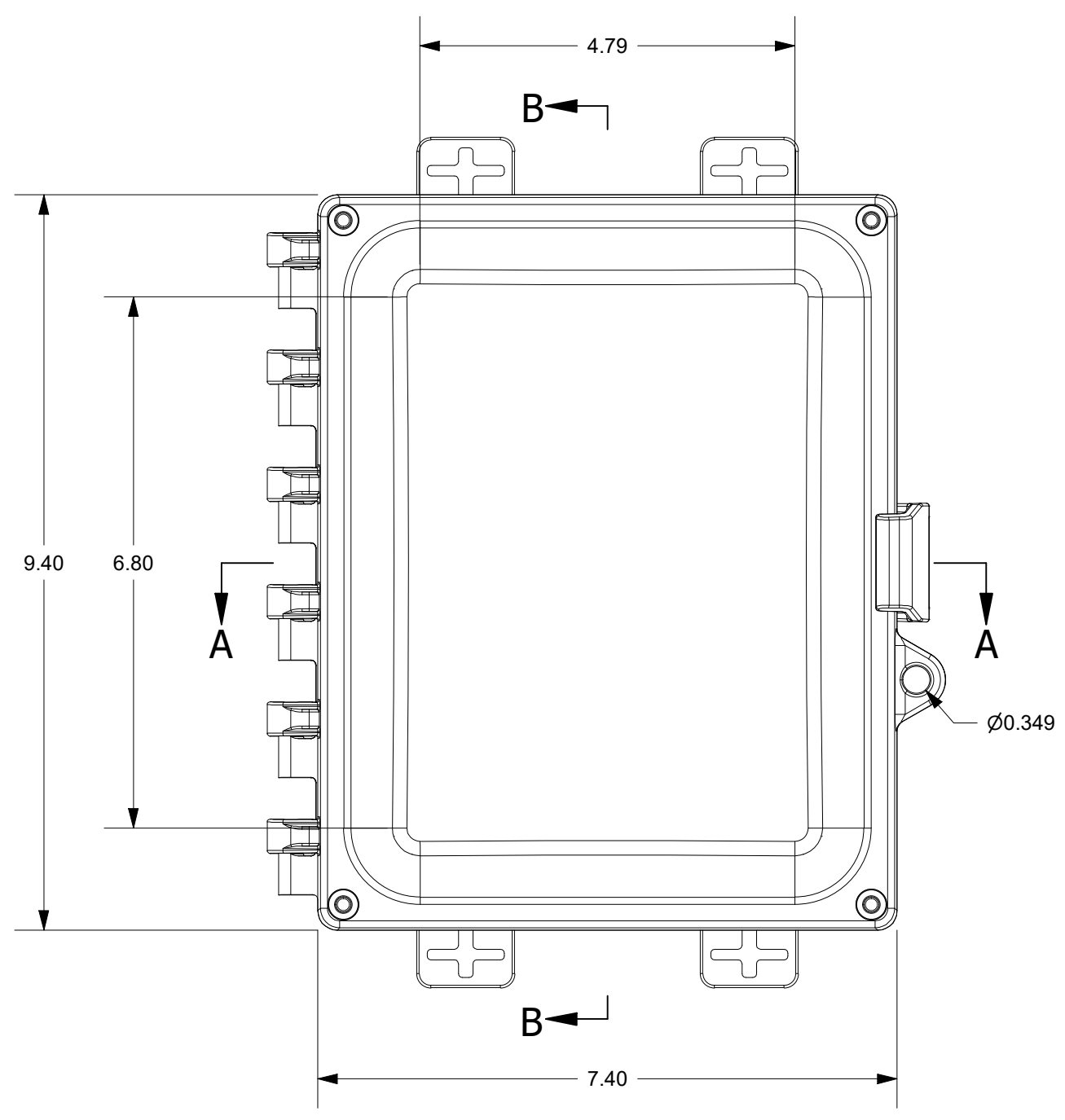


FOR REFERENCE ONLY
MOUNTING FEET SHOWN AS INSTALLED



THIS DRAWING IS THE SOLE AND EXCLUSIVE PROPERTY OF ROBROY ENCLOSURES. NO PART OF THIS DRAWING MAY BE REPRODUCED, DISTRIBUTED, OR PUBLICALLY DISPLAYED IN ANY FORM OR BY ANY MEANS WITHOUT THE EXPRESS WRITTEN PERMISSION OF ROBROY ENCLOSURES. ALL RIGHTS RESERVED. UNDER THE COPYRIGHT LAWS. COPYRIGHT © 2016 ROBROY ENCLOSURES


SPECIAL REQUIREMENTS

ASSEMBLY:

- (1) ACCESSORY KIT (WPPCACCKIT) SHALL BE PACKAGED LOOSELY INSIDE ENCLOSURE
- (1) STYROFOAM SHEET SHALL BE PLACED ON TOP OF COVER INSIDE CARTON

HARDWARE INCLUDED:

- (4) #1/4-20 x 1/2 FLAT HEAD PHILLIPS MACHINE SCREW (RMSC1/4-20X.5FLPH)
- (4) #10-32 x 5/8 PAN HEAD PHILLIPS MACHINE SCREW (RMSC10/32X.5/8SS)
- (4) #10-32 x 3/8 PAN HEAD SCREW (RMSC10/32X3/8ZN)
- (4) #10 WASHER (RMWAS10ZN)

NEMA 250: TYPE 1, 3R, 4, 4X, 12 IEC 60529: IP66		STANDARD P/N: PC806	ALL DIMENSIONS ARE IN INCHES UNLESS OTHERWISE SPECIFIED		TOLERANCES UNLESS SPECIFIED	.XX ± 0.03	.XXX ± 0.010																																							
COLOR: N/A COLOR STANDARD: PANTONE 7541 C		CUSTOMER DWG:	 <p>Robroy Enclosures 500 Maple Street Belding, Michigan 48809 Phone: 616-794-0700 Fax: 616-749-3378</p> <p>A ROBROY ENCLOSURES™ BRAND</p>																																											
MATERIAL: POLYCARBONATE																																														
<table border="1"> <thead> <tr> <th>REV</th> <th>DESCRIPTION</th> <th>DATE</th> <th>ENG</th> </tr> </thead> <tbody> <tr><td>-</td><td>-</td><td>-</td><td>-</td></tr> <tr><td>-</td><td>-</td><td>-</td><td>-</td></tr> <tr><td>-</td><td>-</td><td>-</td><td>-</td></tr> <tr><td>-</td><td>-</td><td>-</td><td>-</td></tr> <tr><td>-</td><td>-</td><td>-</td><td>-</td></tr> <tr><td>-</td><td>-</td><td>-</td><td>-</td></tr> </tbody> </table>		REV	DESCRIPTION	DATE	ENG	-	-	-	-	-	-	-	-	-	-	-	-	-	-	-	-	-	-	-	-	-	-	-	-	<table border="1"> <tr> <td>DRAWN BY</td> <td>DATE</td> <td>CUSTOMER</td> <td>DWG</td> </tr> <tr> <td>AJC</td> <td>10/22/16</td> <td></td> <td>PC806</td> </tr> <tr> <td>SCALE</td> <td>DESCRIPTION</td> <td>PART NUMBER</td> <td></td> </tr> <tr> <td>DO NOT SCALE</td> <td>STANDARD ENCLOSURE</td> <td>FEPC806</td> <td></td> </tr> </table>	DRAWN BY	DATE	CUSTOMER	DWG	AJC	10/22/16		PC806	SCALE	DESCRIPTION	PART NUMBER		DO NOT SCALE	STANDARD ENCLOSURE	FEPC806	
REV	DESCRIPTION	DATE	ENG																																											
-	-	-	-																																											
-	-	-	-																																											
-	-	-	-																																											
-	-	-	-																																											
-	-	-	-																																											
-	-	-	-																																											
DRAWN BY	DATE	CUSTOMER	DWG																																											
AJC	10/22/16		PC806																																											
SCALE	DESCRIPTION	PART NUMBER																																												
DO NOT SCALE	STANDARD ENCLOSURE	FEPC806																																												