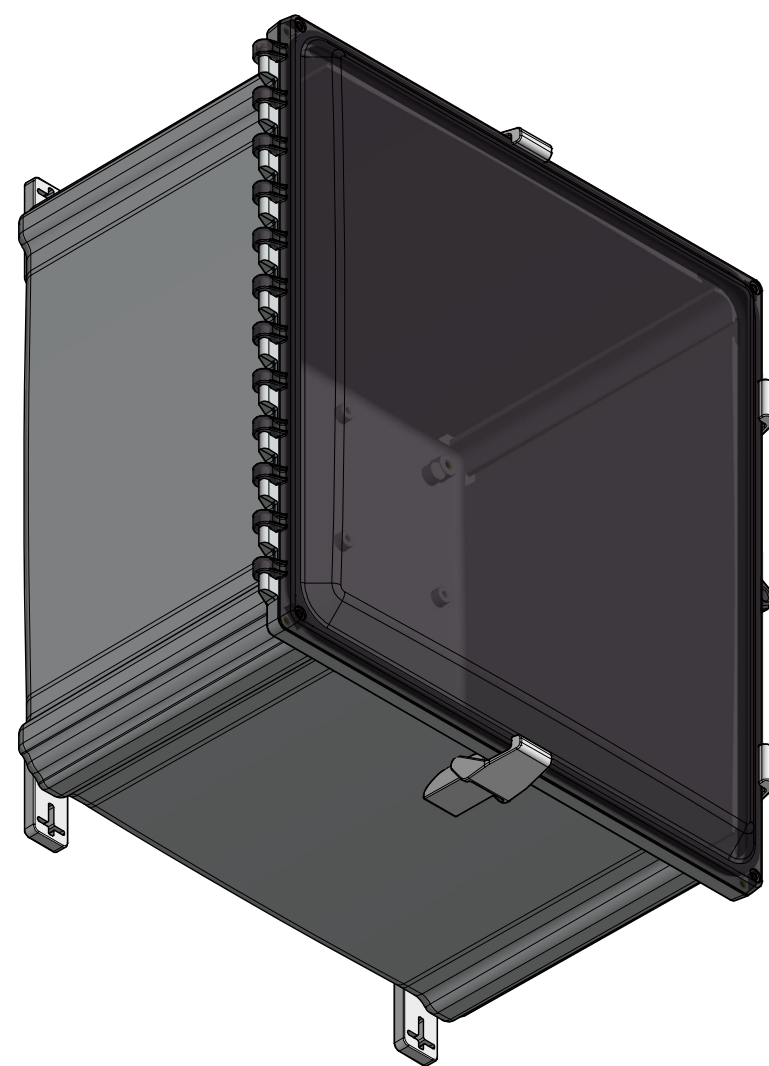
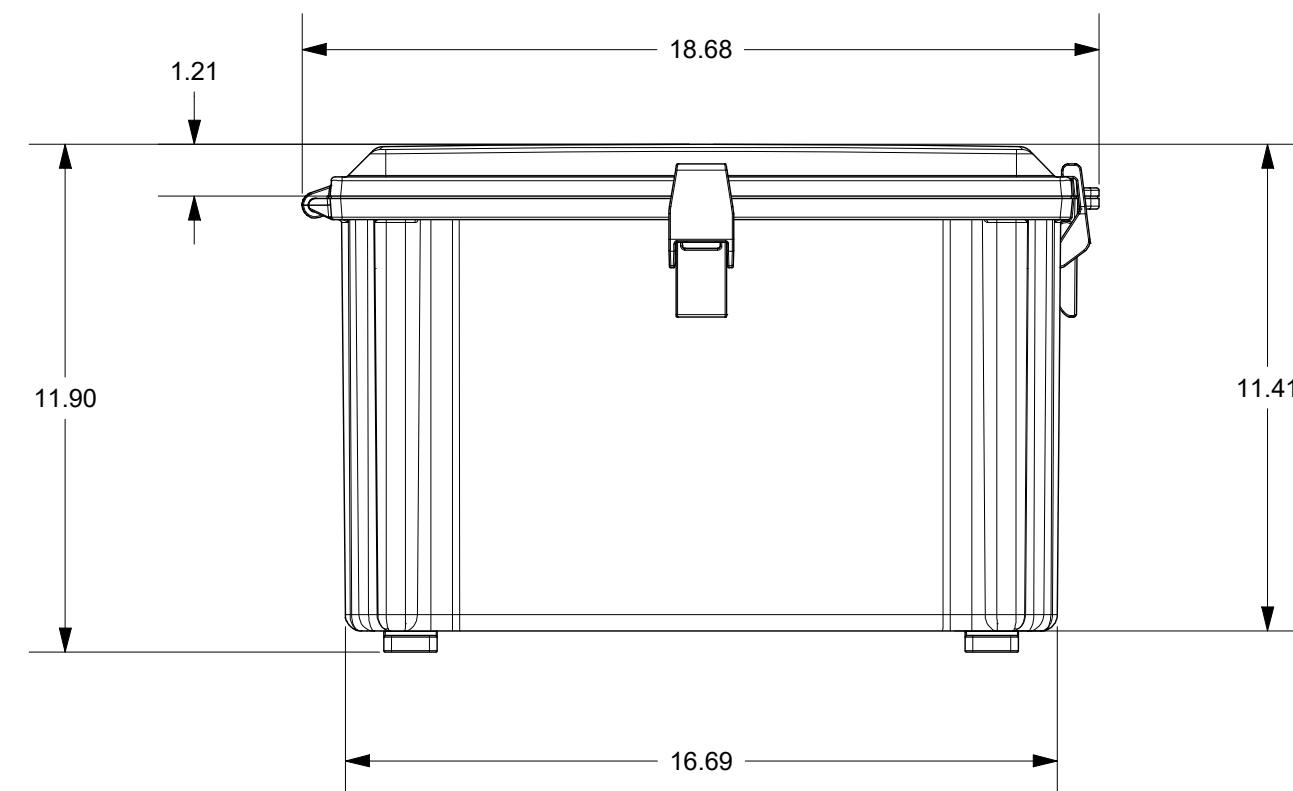
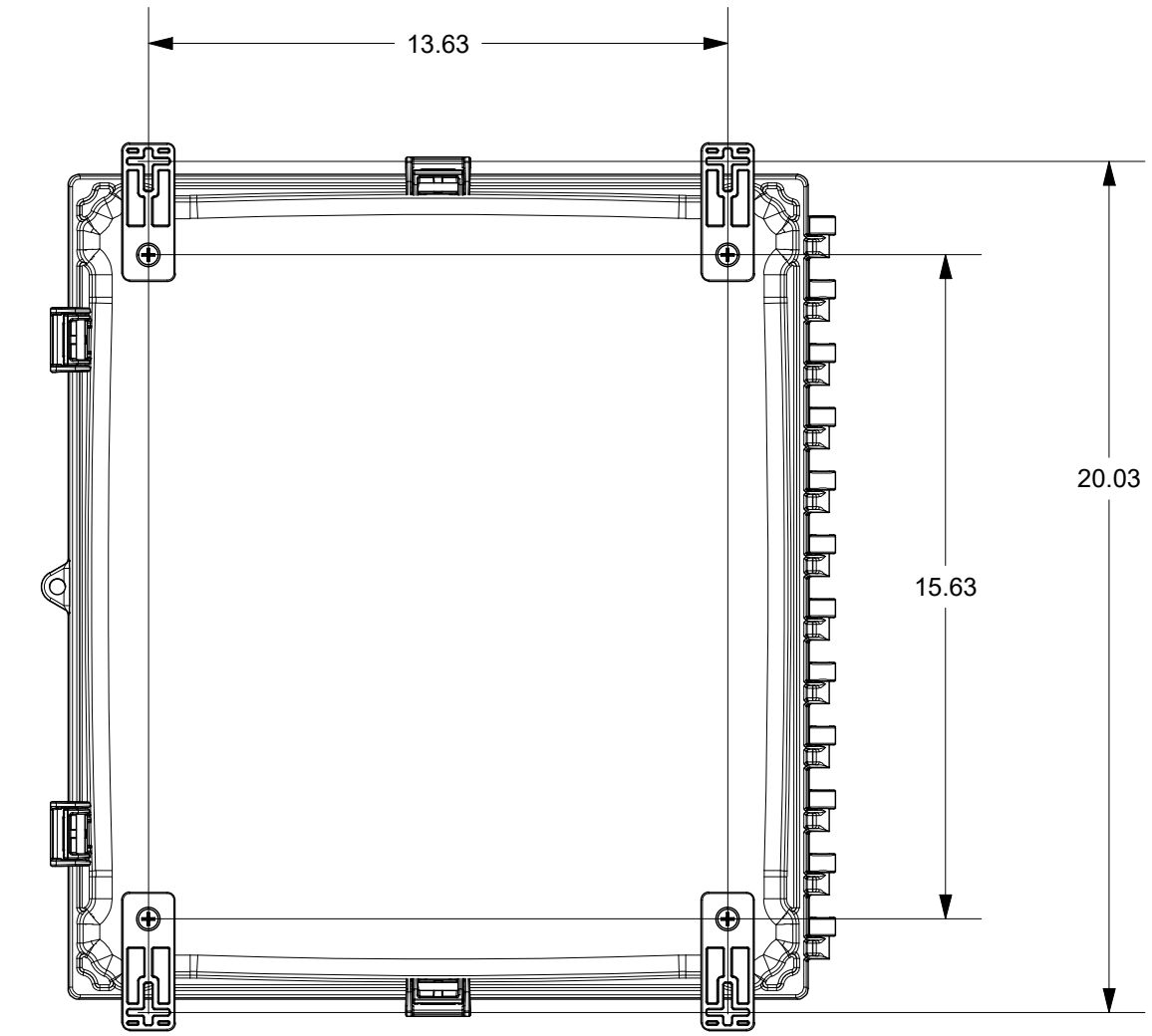
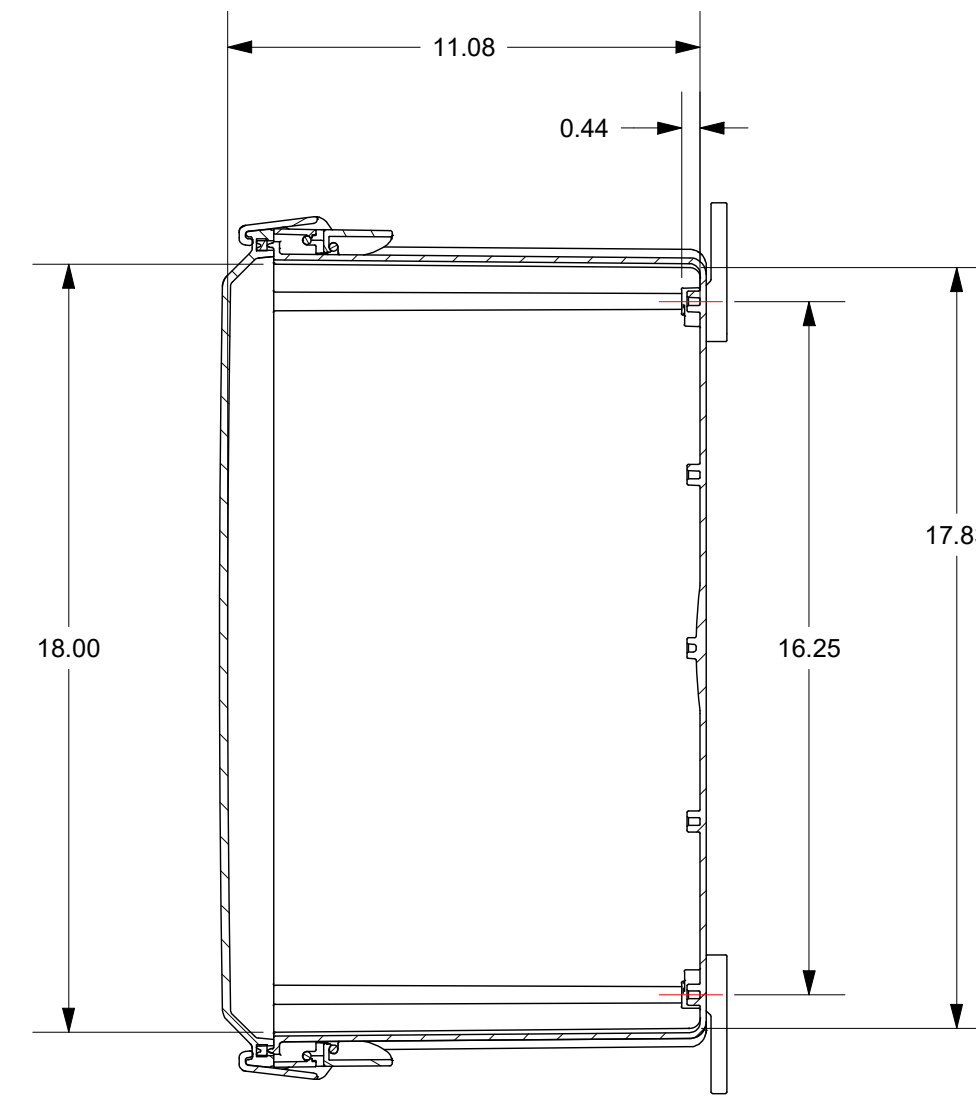
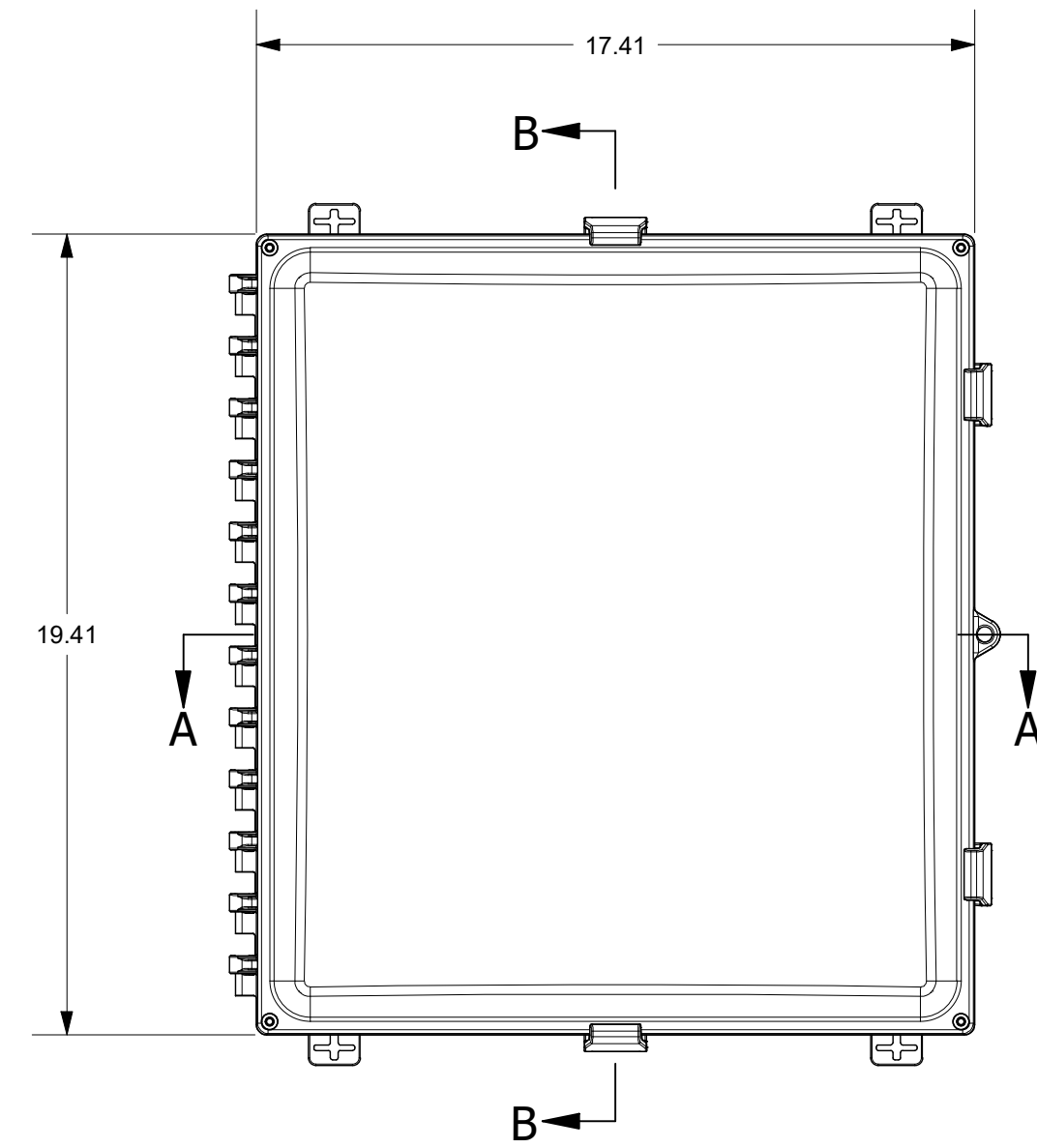
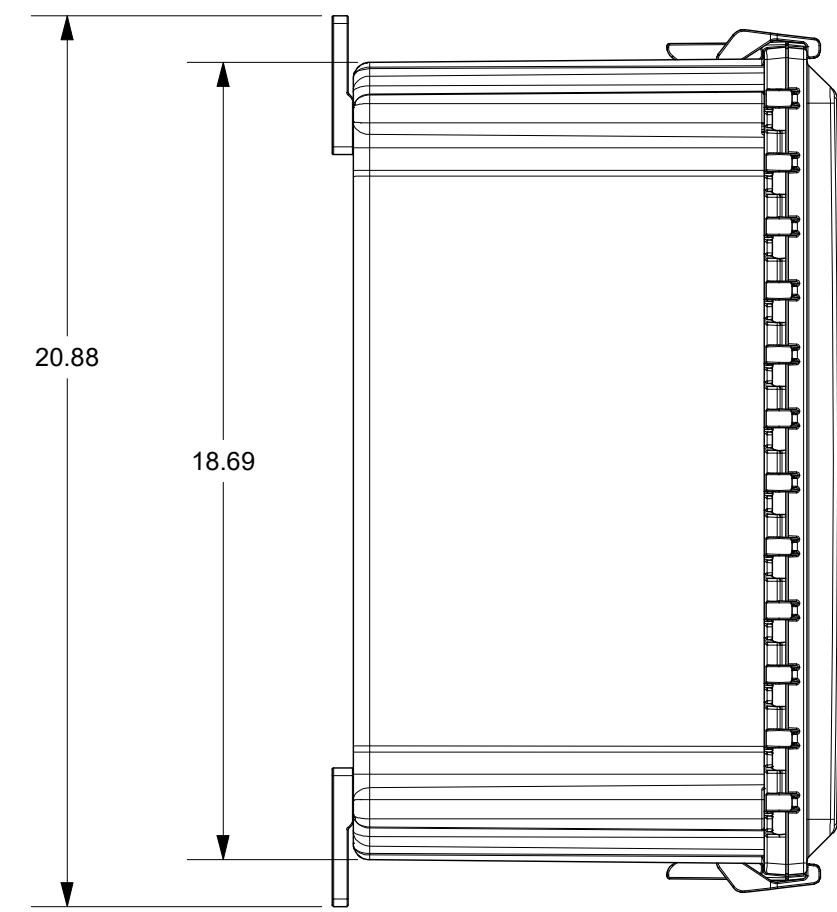


FOR REFERENCE ONLY  
MOUNTING FEET SHOWN AS INSTALLED



THIS DRAWING IS THE SOLE AND EXCLUSIVE PROPERTY OF ROBROY ENCLOSURES. NO PART OF THIS DRAWING MAY BE REPRODUCED, DISTRIBUTED, OR PUBLICALLY DISPLAYED IN ANY FORM OR BY ANY MEANS WITHOUT THE EXPRESS WRITTEN PERMISSION OF ROBROY ENCLOSURES. ALL RIGHTS RESERVED. UNDER THE COPYRIGHT LAWS. COPYRIGHT © 2016 ROBROY ENCLOSURES.

- SPECIAL REQUIREMENTS**
- ASSEMBLY:
- (1) ACCESSORY KIT (WPPCACKKIT) SHALL BE PACKAGED LOOSELY INSIDE ENCLOSURE
  - (1) STYROFOAM SHEET SHALL BE PLACED ON TOP OF COVER INSIDE CARTON
- HARDWARE INCLUDED:
- (4) #14-20 x 1/2 FLAT HEAD PHILLIPS MACHINE SCREW (RMSC114-20X.5FLPH)
  - (4) #10-32 x 5/8 PAN HEAD PHILLIPS MACHINE SCREW (RMSC10/32X5/8SS)
  - (4) #10-32 x 3/8 PAN HEAD SCREW (RMSC10/32X3/8ZN)
  - (4) #10 WASHER (RMWAS10ZN)

NEMA 250: TYPE 1, 3R, 4, 4X, 12 IEC 60529: IP66		STANDARD P/N: PC1816CC	ALL DIMENSIONS ARE IN INCHES UNLESS OTHERWISE SPECIFIED		TOLERANCES UNLESS SPECIFIED	.XX ± 0.03	.XXX ± 0.010																																
COLOR: N/A COLOR STANDARD: PANTONE 7541 C		CUSTOMER DWG:																																					
MATERIAL: POLYCARBONATE																																							
<table border="1"> <thead> <tr> <th colspan="4">REVISION HISTORY</th> </tr> <tr> <th>REV</th> <th>DESCRIPTION</th> <th>DATE</th> <th>ENG</th> </tr> </thead> <tbody> <tr><td>-</td><td>-</td><td>-</td><td>-</td></tr> <tr><td>-</td><td>-</td><td>-</td><td>-</td></tr> <tr><td>-</td><td>-</td><td>-</td><td>-</td></tr> <tr><td>-</td><td>-</td><td>-</td><td>-</td></tr> <tr><td>-</td><td>-</td><td>-</td><td>-</td></tr> <tr><td>-</td><td>-</td><td>-</td><td>-</td></tr> </tbody> </table>								REVISION HISTORY				REV	DESCRIPTION	DATE	ENG	-	-	-	-	-	-	-	-	-	-	-	-	-	-	-	-	-	-	-	-	-	-	-	-
REVISION HISTORY																																							
REV	DESCRIPTION	DATE	ENG																																				
-	-	-	-																																				
-	-	-	-																																				
-	-	-	-																																				
-	-	-	-																																				
-	-	-	-																																				
-	-	-	-																																				
DRAWN BY: AJC		DATE: 12/16/16	CUSTOMER:		DWG: PC1816CC																																		
SCALE: DO NOT SCALE		DESCRIPTION: STANDARD ENCLOSURE		PART NUMBER: FEPC1816CC																																			

Robroy Enclosures  
500 Maple Street  
Belding, Michigan 48809  
Phone: 616-794-0700  
Fax: 616-749-3378