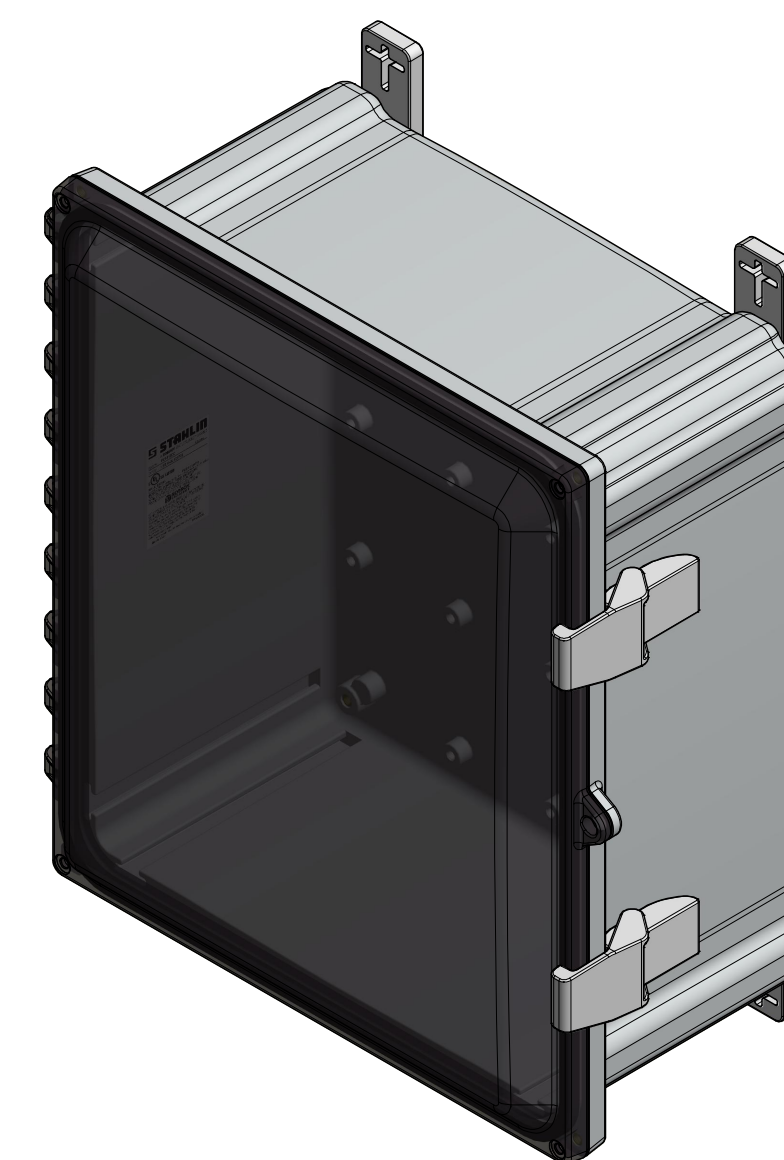
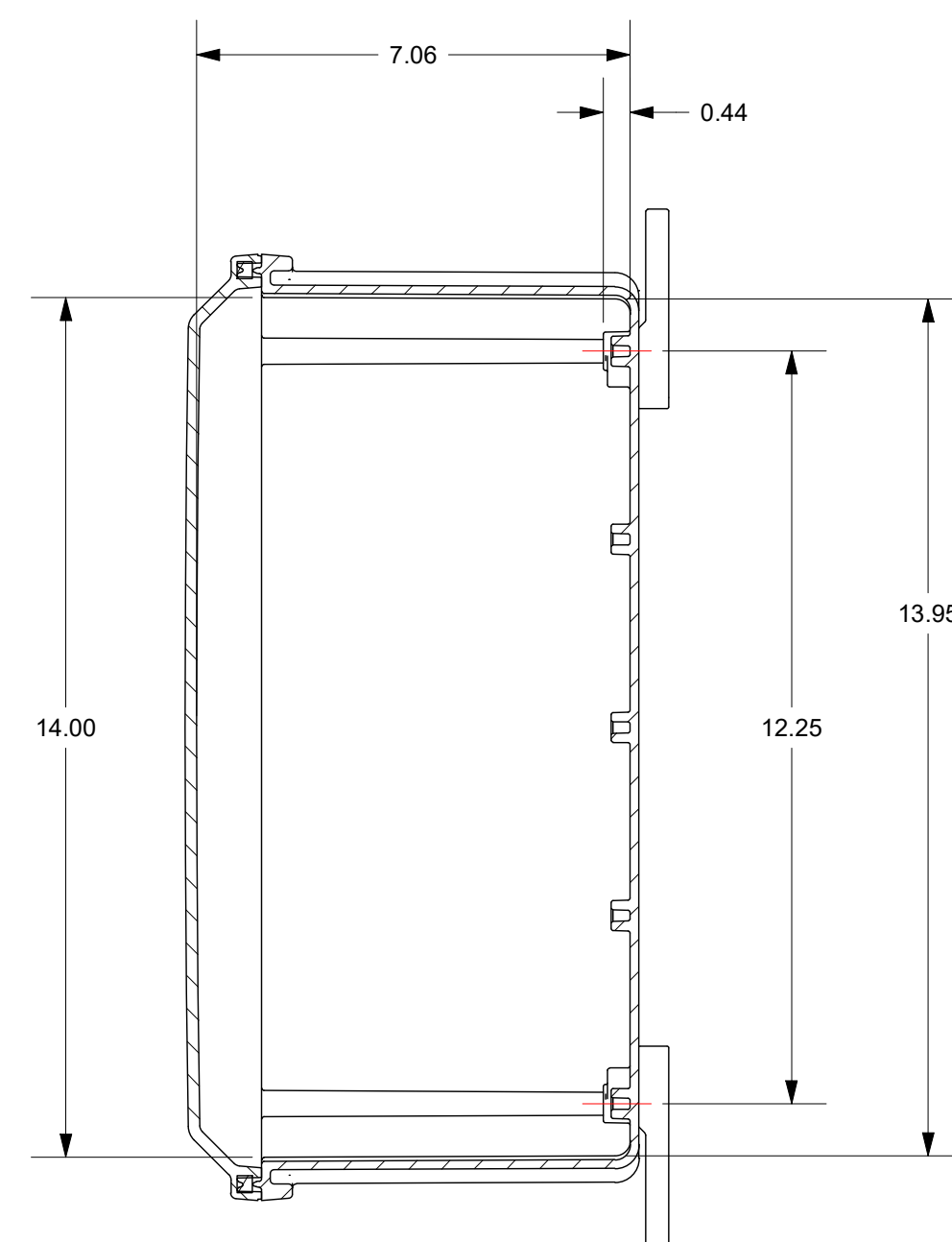
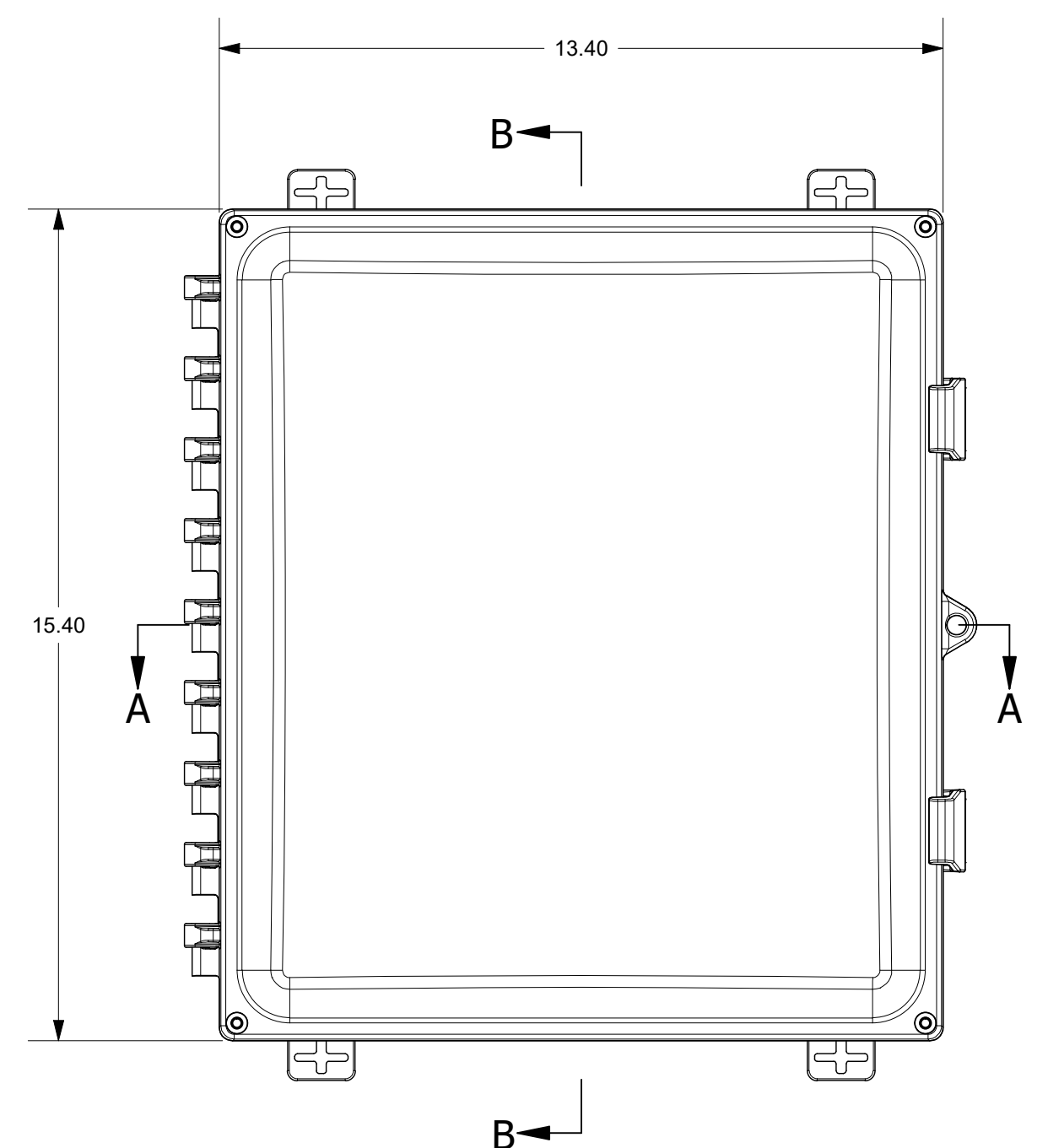
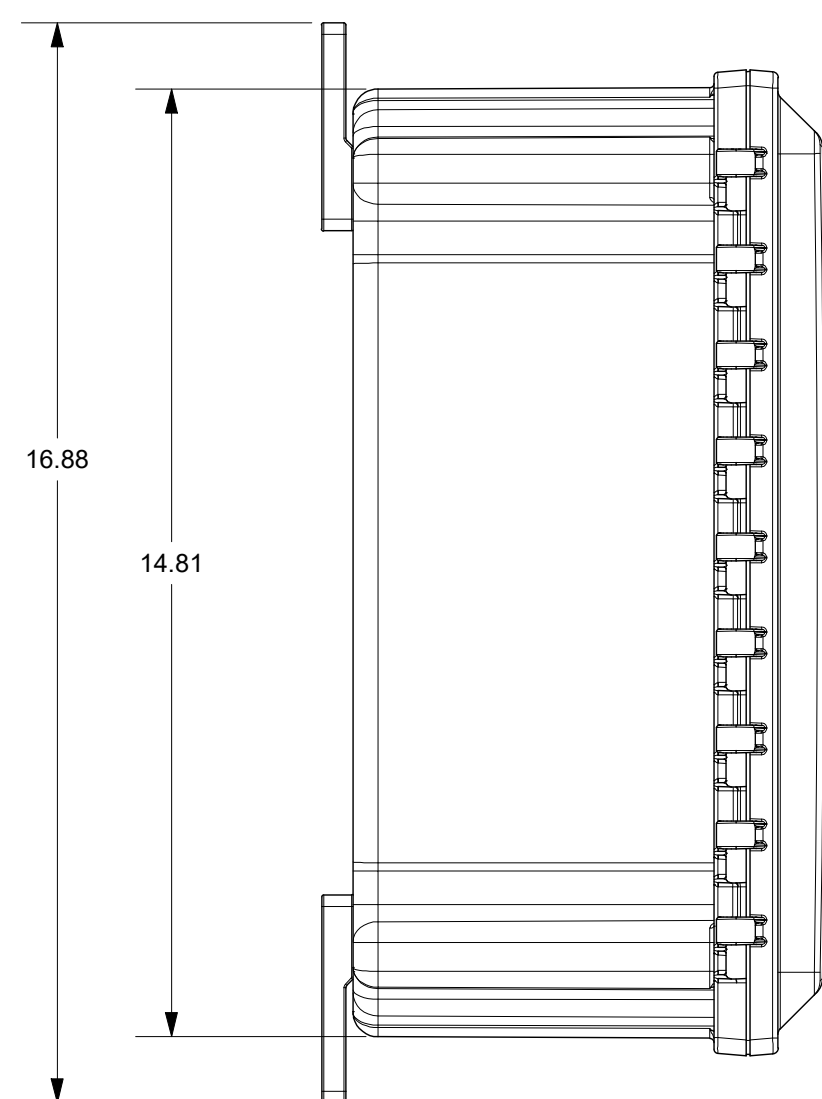


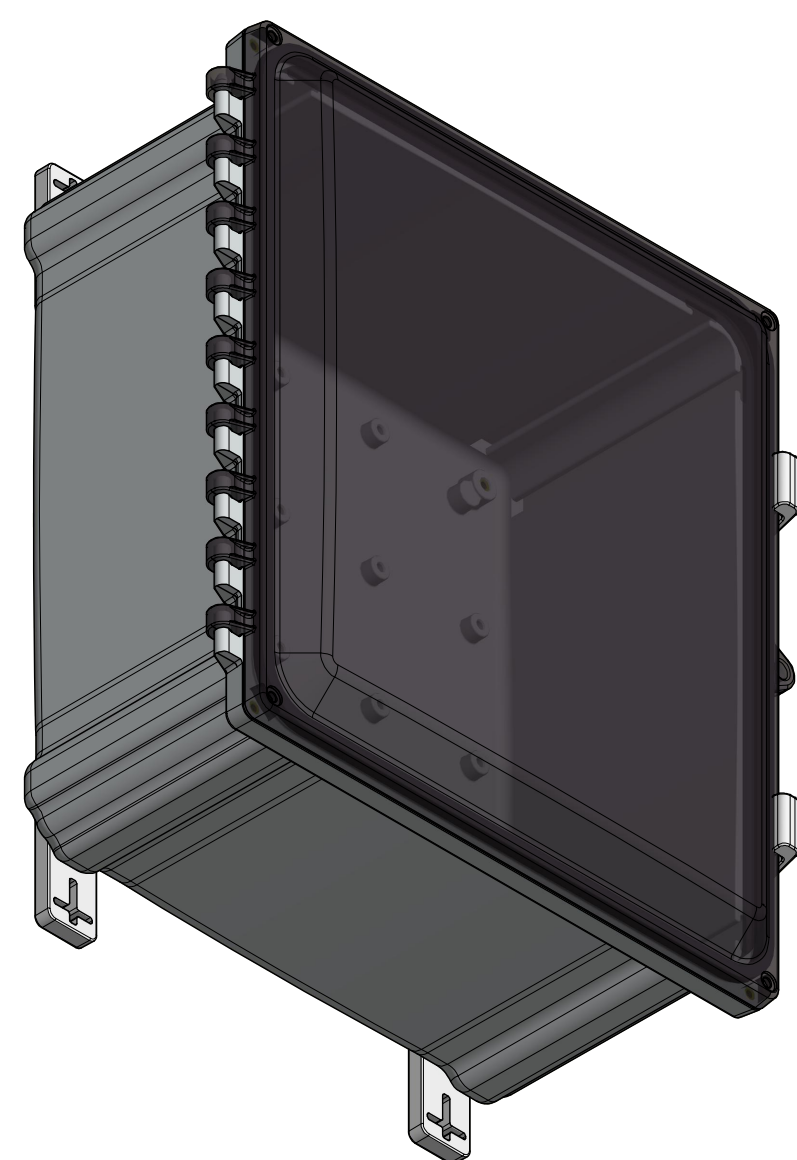
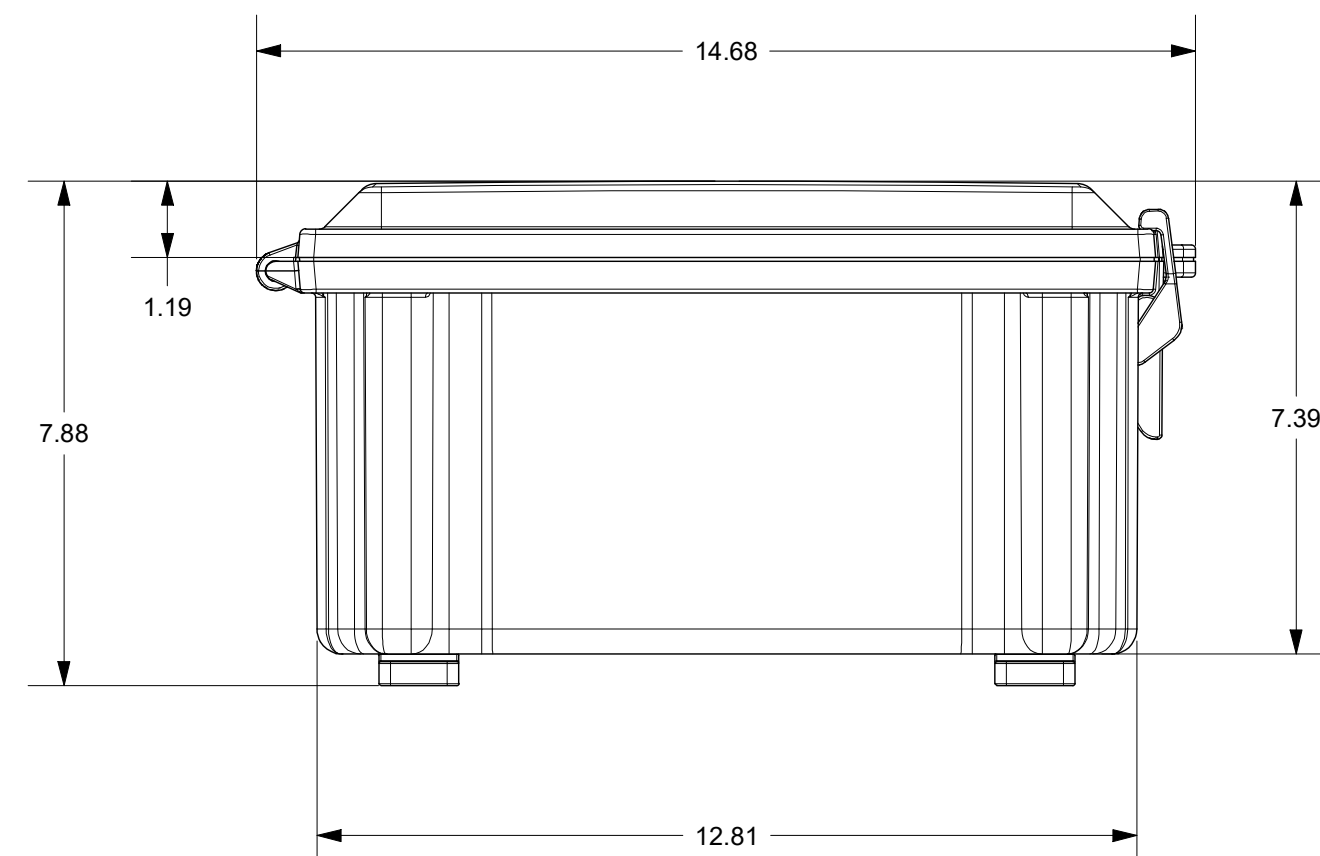
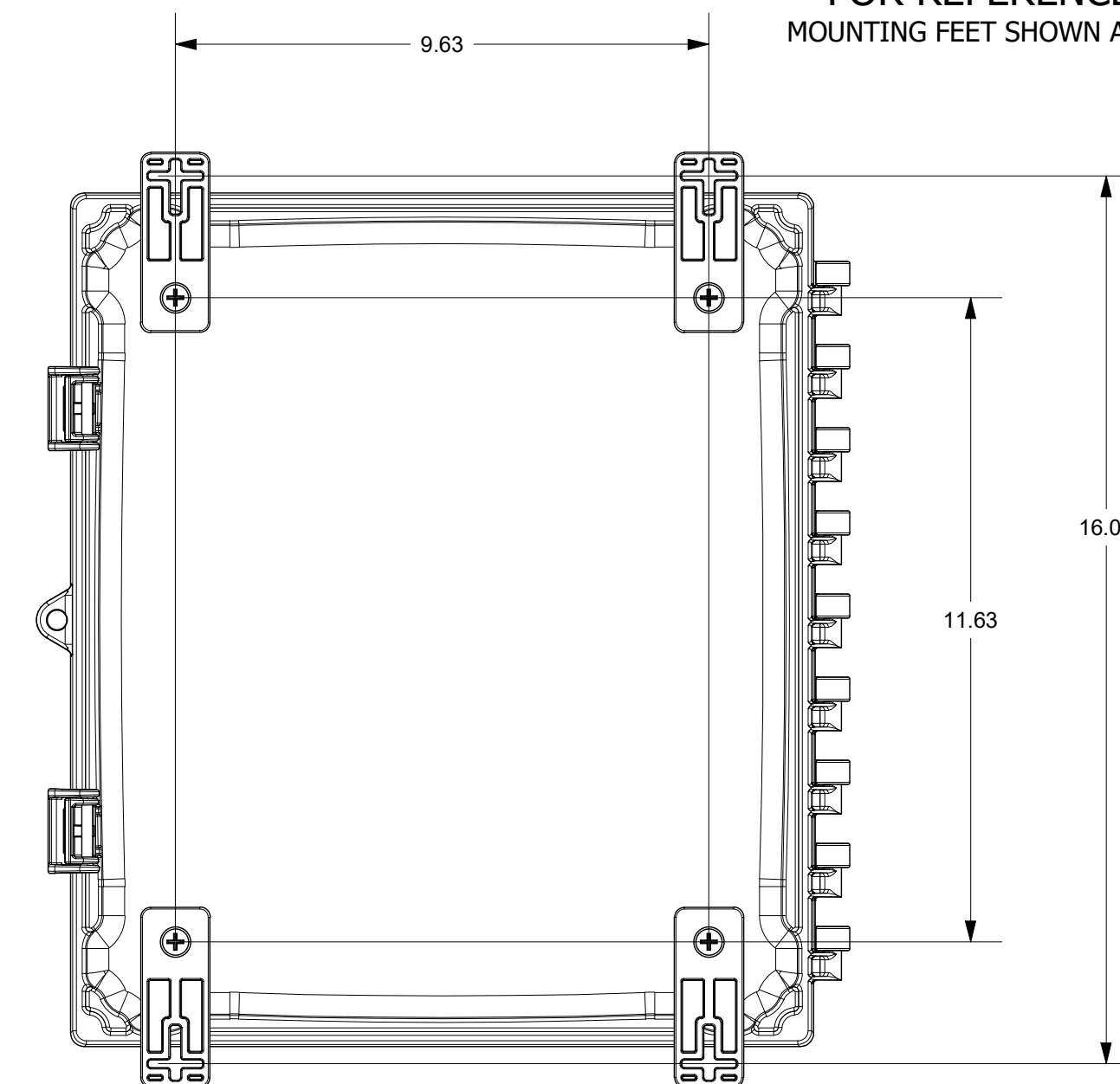
SECTION A-A



FOR REFERENCE ONLY
MOUNTING FEET SHOWN AS INSTALLED



SECTION B-B



THIS DRAWING IS THE SOLE AND EXCLUSIVE PROPERTY OF ROBROY ENCLOSURES. NO PART OF THIS DRAWING MAY BE REPRODUCED, DISTRIBUTED, OR PUBLICALLY DISPLAYED IN ANY FORM OR BY ANY MEANS WITHOUT THE EXPRESS WRITTEN PERMISSION OF ROBROY ENCLOSURES. ALL RIGHTS RESERVED. UNDER THE COPYRIGHT LAWS. COPYRIGHT © 2016 ROBROY ENCLOSURES.

SPECIAL REQUIREMENTS				NEMA 250: TYPE 1, 3R, 4, 4X, 12 IEC 60529: IP66		STANDARD P/N: PC1412CC		ALL DIMENSIONS ARE IN INCHES UNLESS OTHERWISE SPECIFIED		TOLERANCES UNLESS SPECIFIED	
ASSEMBLY: 1 (1) ACCESSORY KIT (WPPCACKIT) SHALL BE PACKAGED LOOSELY INSIDE ENCLOSURE HARDWARE INCLUDED: - (4) #14-20 x 1/2 FLAT HEAD PHILLIPS MACHINE SCREW (RMSC114-20X.5FLPH) - (4) #10-32 x 5/8 PAN HEAD PHILLIPS MACHINE SCREW (RMSC10132X5/8SS) - (4) #10-32 x 3/8 PAN HEAD SCREW (RMSC10132X3/8ZN) - (4) #10 WASHER (RMWAS10ZN) 2 (1) STYROFOAM SHEET SHALL BE PLACED ON TOP OF COVER INSIDE CARTON				COLOR: N/A COLOR STANDARD: PANTONE 7541 C		CUSTOMER DWG:				.XX ± 0.03 .XXX ± 0.010	
				MATERIAL: POLYCARBONATE						Robroy Enclosures 500 Maple Street Belding, Michigan 48809 Phone: 616-794-0700 Fax: 616-749-3378	
				REVISION HISTORY REV DESCRIPTION DATE ENG		DRAWN BY DATE AJC 11/23/16		CUSTOMER		DWG	
				DO NOT SCALE		SCALE		DESCRIPTION		PART NUMBER	
								STANDARD ENCLOSURE		FEPC1412CC	