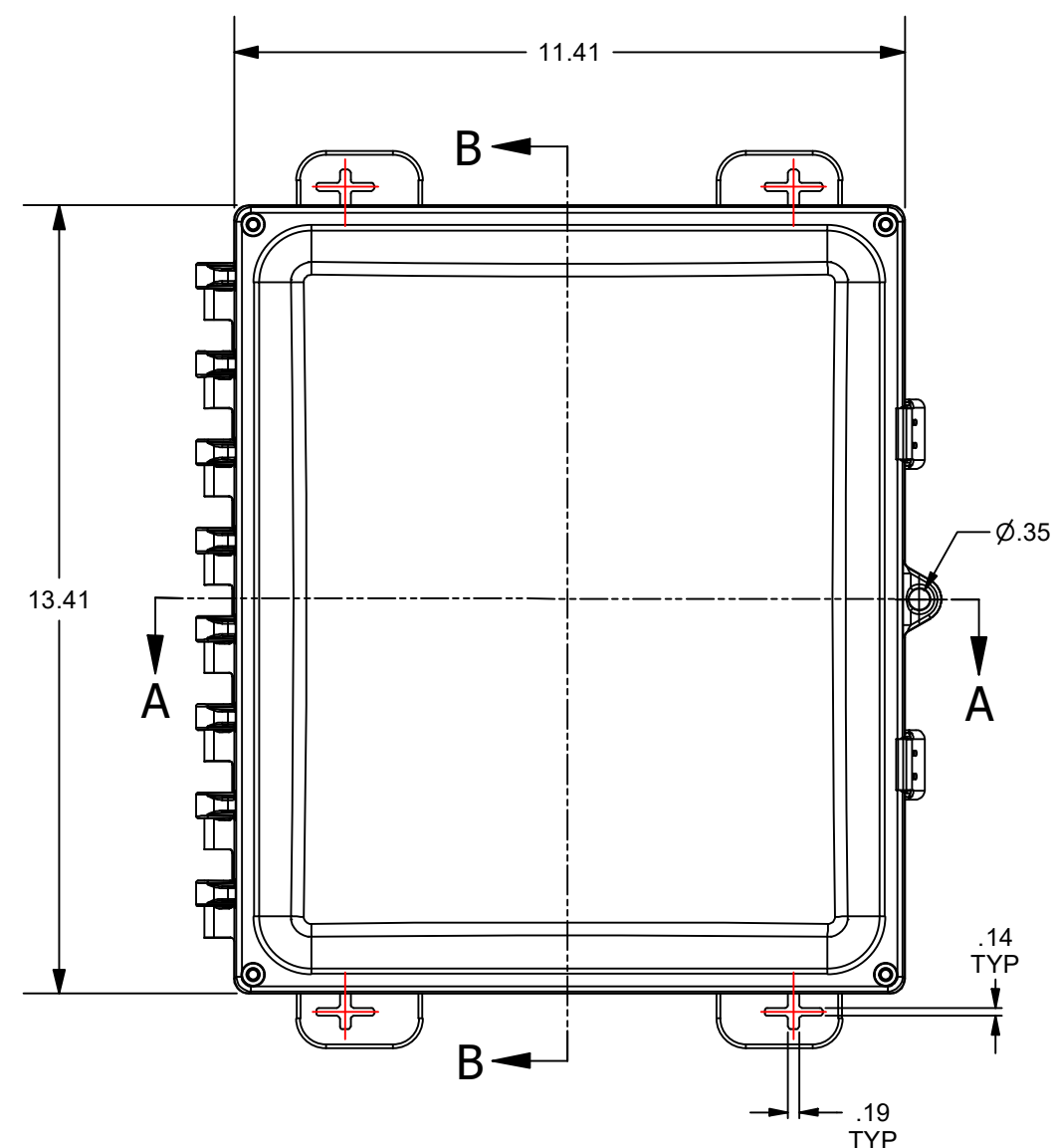
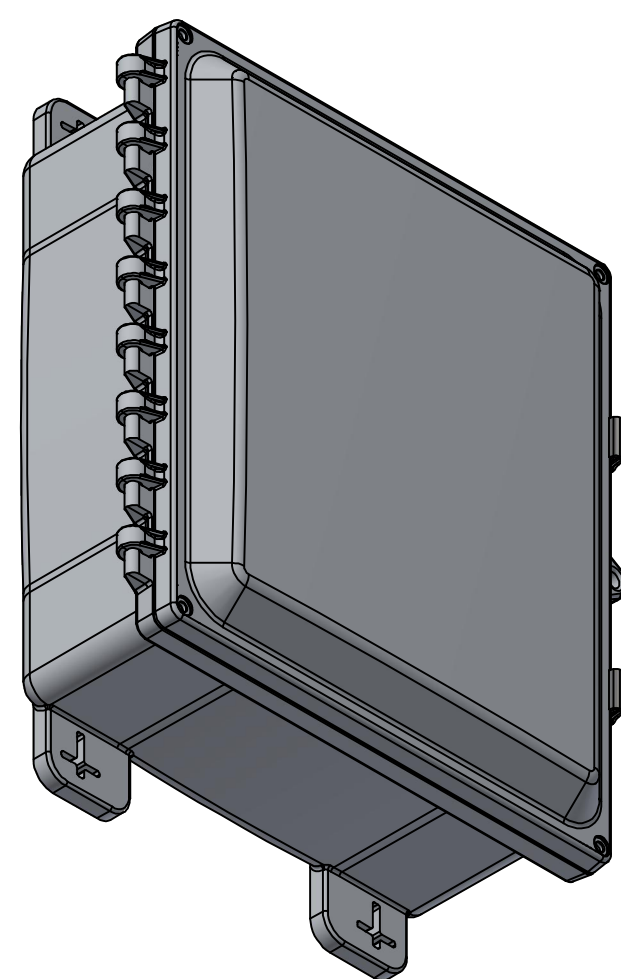
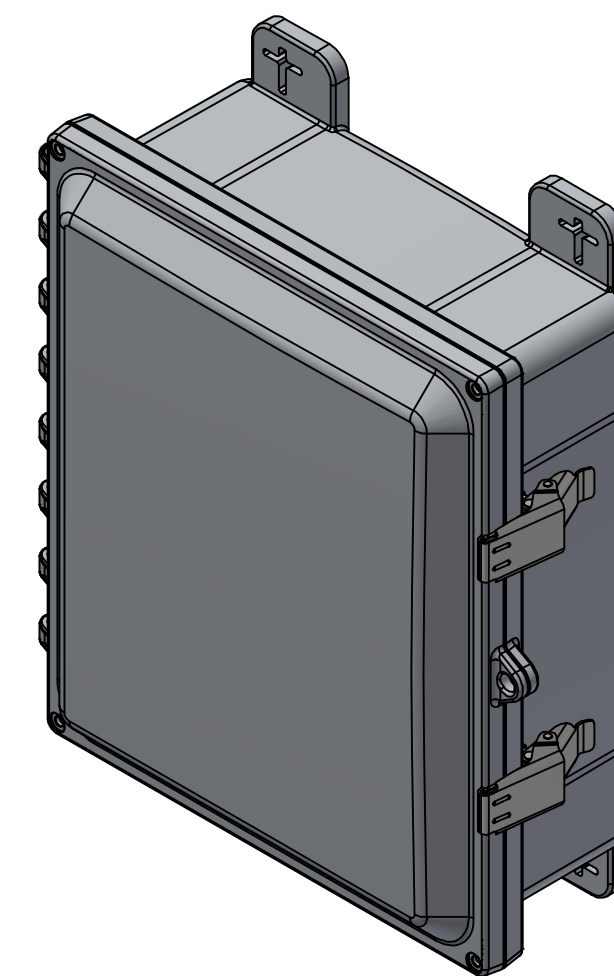
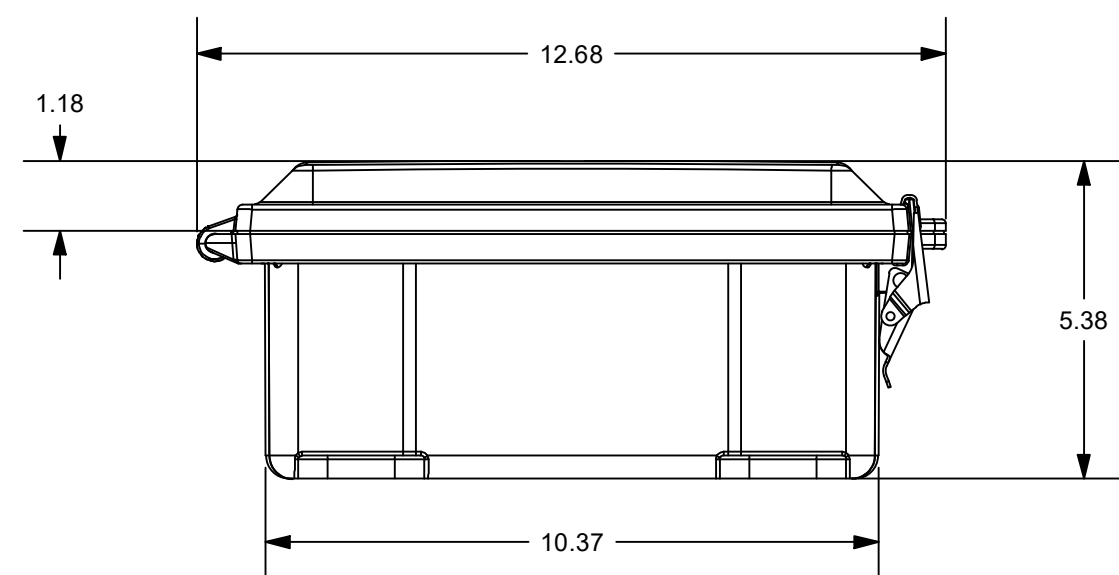
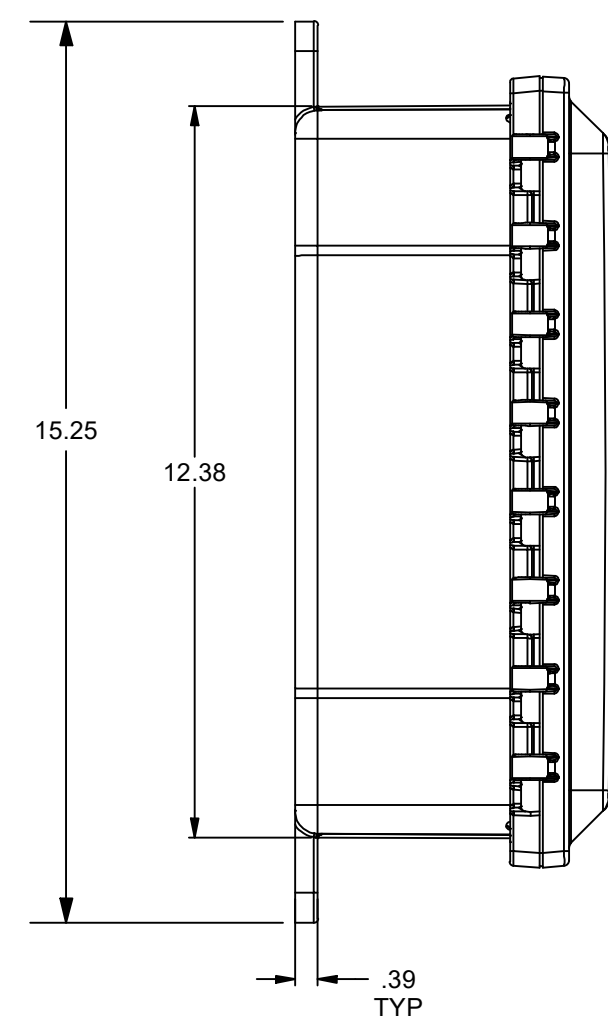


SECTION A-A



SECTION B-B



THE INFORMATION CONTAINED IN THIS DRAWING IS THE SOLE PROPERTY OF ROBROY INDUSTRIES, ANY REPRODUCTION IN PART OR WHOLE WITHOUT THE WRITTEN PERMISSION OF ROBROY INDUSTRIES IS PROHIBITED. ALL RIGHTS RESERVED UNDER THE COPYRIGHT LAWS. COPYRIGHT © 2024 ROBROY INDUSTRIES. ROBROY INDUSTRIES VALUES AND PROTECTS ITS INTELLECTUAL PROPERTY. FOR MORE INFORMATION VISIT [www.robroy.com/patents](http://www.robroy.com/patents)

**SPECIAL REQUIREMENTS**  
**ASSEMBLY:**  
 1. (1) ACCESSORY KIT (WPPCACCKITNOFT) SHALL BE PACKAGED LOOSELY INSIDE ENCLOSURE  
 2. (1) STYROFOAM SHEET SHALL BE PLACED ON TOP OF COVER INSIDE CARTON

NEEA SIZE: 1, 3R, 4, 4X, 6P, 12	IEC 60529: IP66, IP68	STANDARD FIN: PC121004CCSS	ALL DIMENSIONS ARE IN INCHES UNLESS OTHERWISE SPECIFIED	TOLERANCES UNLESS SPECIFIED	XX ± 0.03	XXX ± 0.010
COLOR: GRAY POLYCARBONATE	COLOR STANDARD: PANTONE 7542 C	CUSTOMER DWG:				
MATERIAL: POLYCARBONATE						
REVISION HISTORY						
REV	DESCRIPTION	DATE	ENG	DRAWING: PC121004CCSS		
-	-	-	-	DRAWN BY: JWH DATE: 11/18/24 CUSTOMER: STANDARD ENCLOSURE		
-	-	-	-	SCALE: DO NOT SCALE DESCRIPTION: STANDARD ENCLOSURE PART NUMBER: FEPC121004CCSS		
-	-	-	-	DRAWING: PC121004CCSS		

Robroy Enclosures  
 500 Maple Street  
 Belding, Michigan 48809  
 Phone: 616-794-0700  
 Fax: 616-749-3378