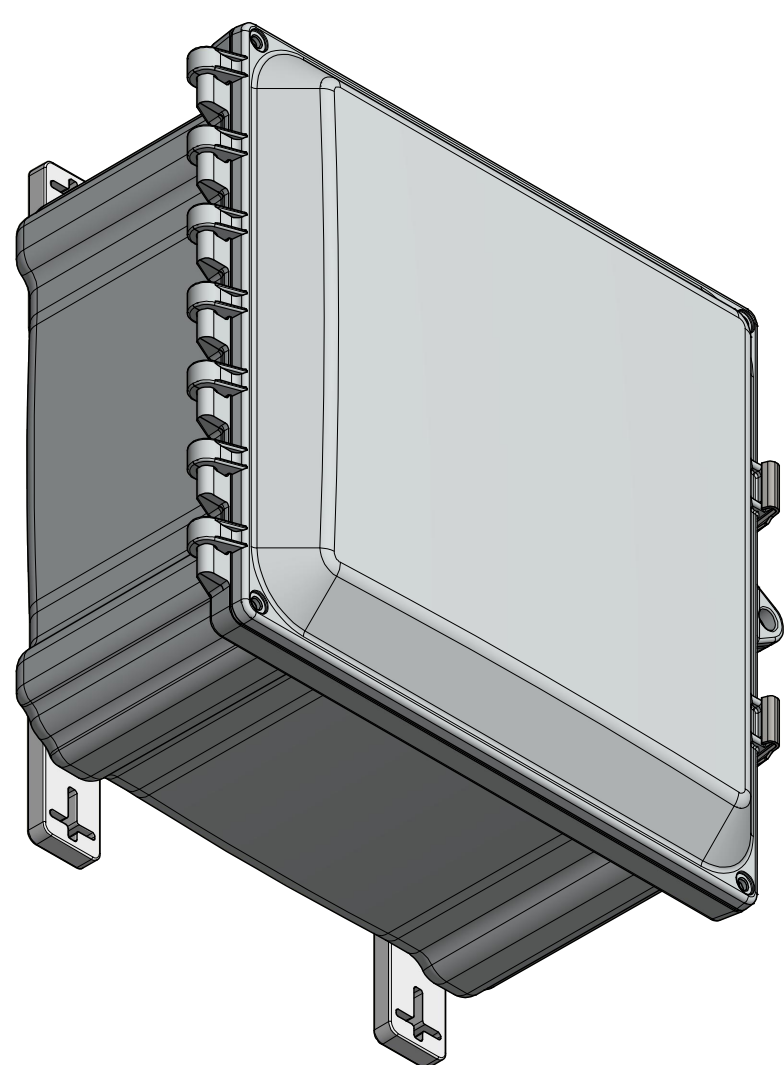
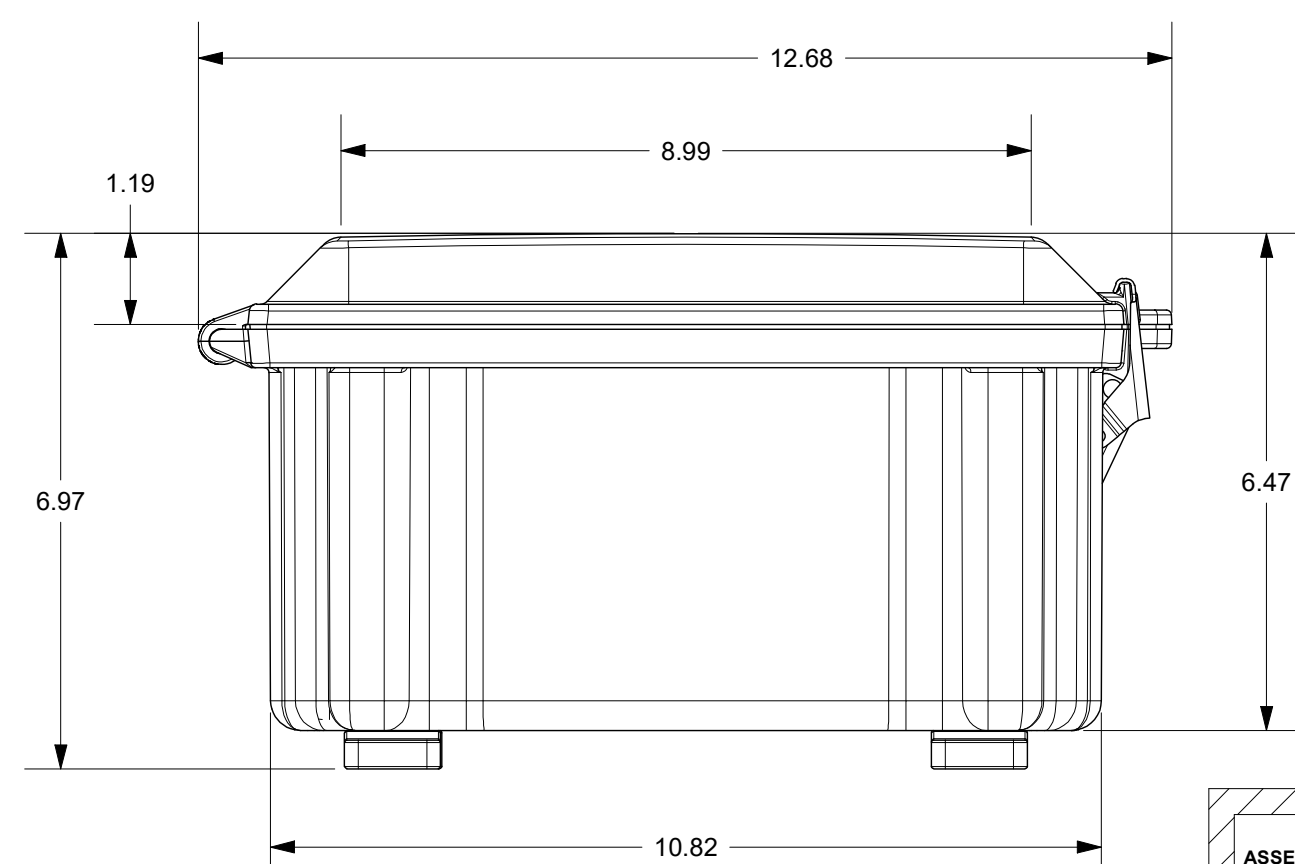
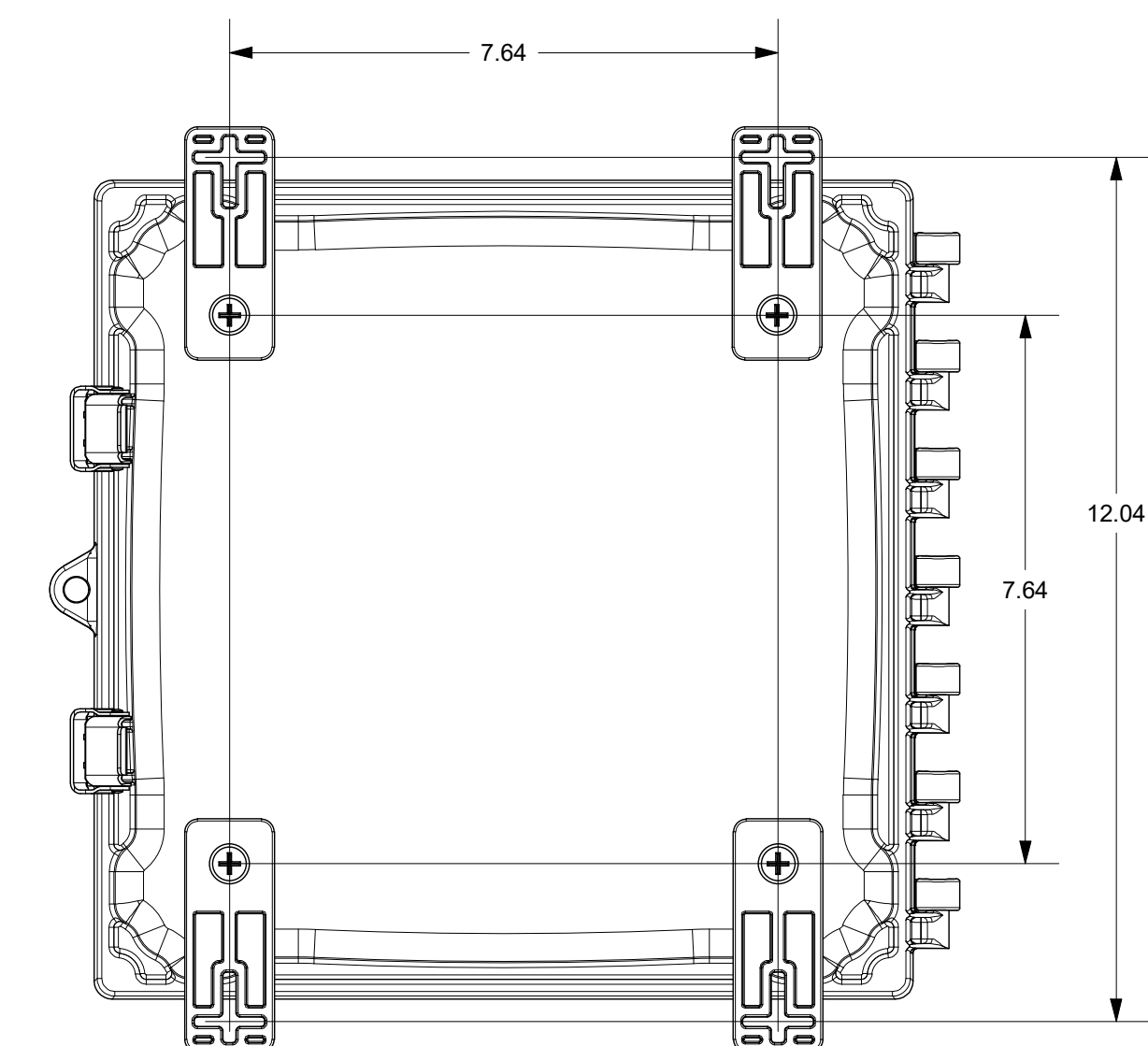
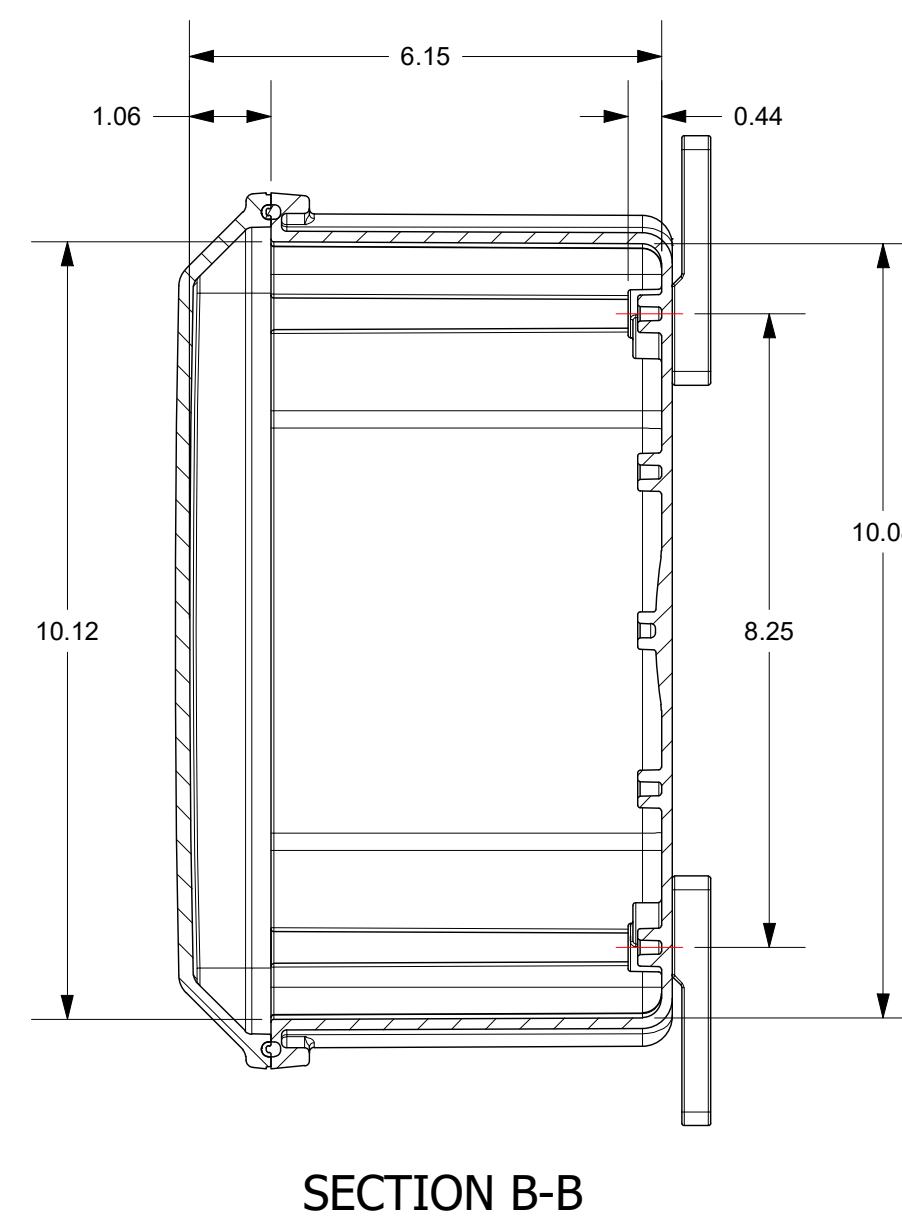
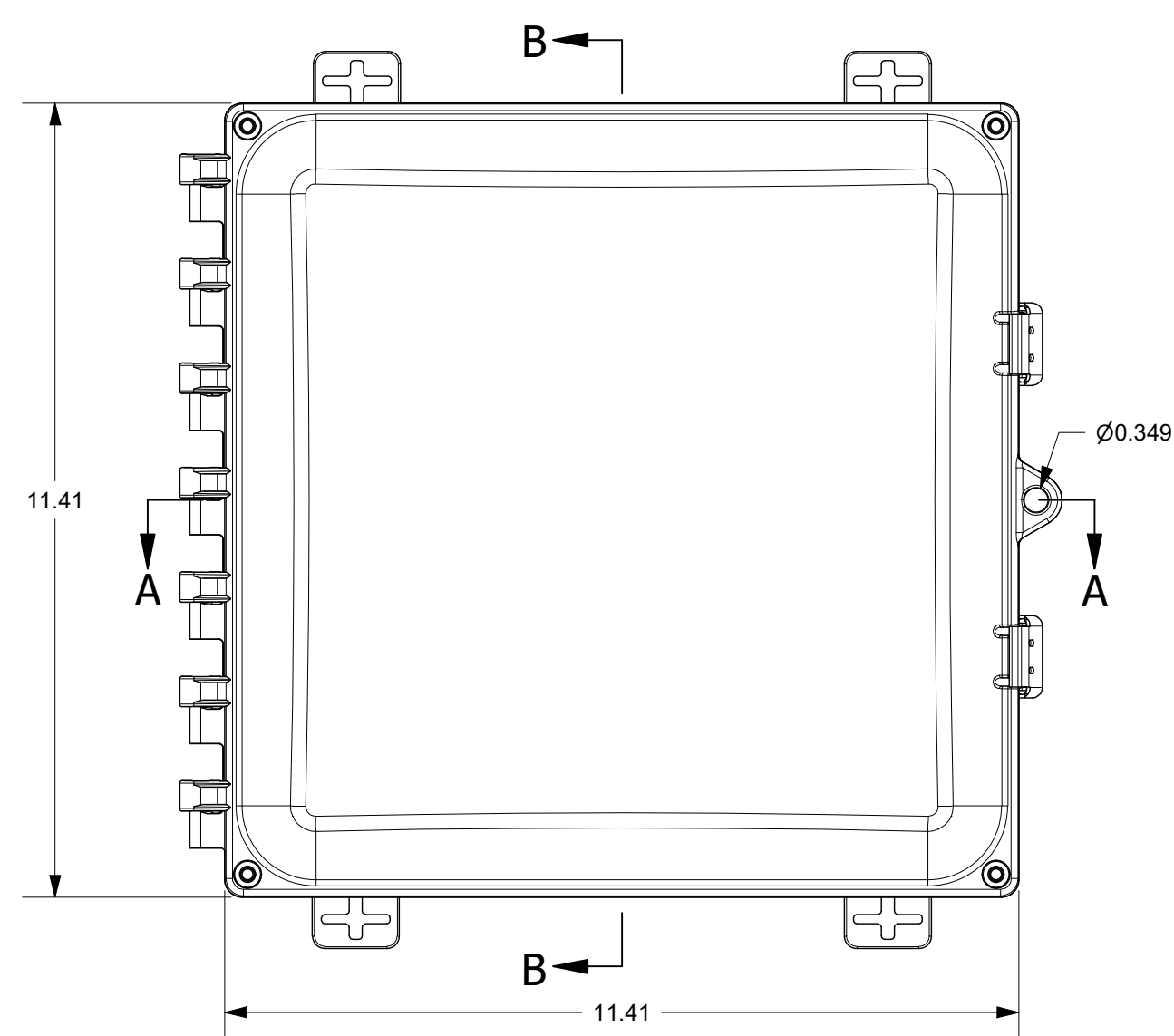
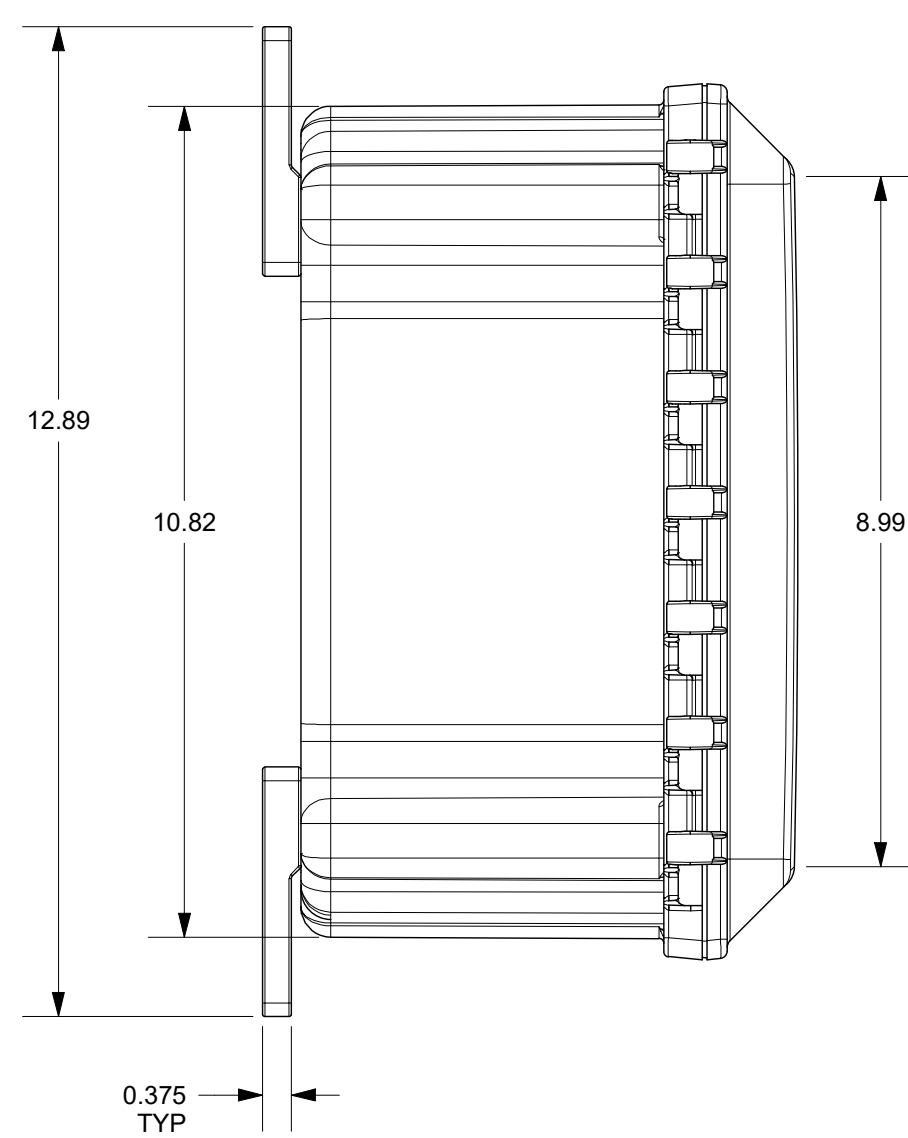



FOR REFERENCE ONLY
MOUNTING FEET SHOWN AS INSTALLED



THIS DRAWING IS THE SOLE AND EXCLUSIVE PROPERTY OF ROBROY ENCLOSURES. NO PART OF THIS DRAWING MAY BE REPRODUCED, DISTRIBUTED, OR PUBLICALLY DISPLAYED IN ANY FORM OR BY ANY MEANS WITHOUT THE EXPRESS WRITTEN PERMISSION OF ROBROY ENCLOSURES. ALL RIGHTS RESERVED. UNDER THE COPYRIGHT LAWS. COPYRIGHT © 2020 ROBROY ENCLOSURES.

- SPECIAL REQUIREMENTS**
- ASSEMBLY:
- (1) POLYCARBONATE ACCESSORY KIT (WPPCACCKIT) SHALL BE PACKAGED LOOSELY INSIDE ENCLOSURE. HARDWARE INCLUDED:
 - (4) 1/4-20 x 1/2 FLAT HEAD PHILLIPS MACHINE SCREW (RMSC114-20X.SFLPH)
 - (4) #10-32 x 5/8 PAN HEAD PHILLIPS MACHINE SCREW (RMSC1032X5/8SS)
 - (4) #10-32 x 3/8 PAN HEAD SCREW (RMSC1032X3/8ZN)
 - (4) #10 WASHER (RMCWAS10ZN)
 - (1) STYROFOAM SHEET SHALL BE PLACED ON TOP OF COVER INSIDE CARTON

NEMA 250: TYPE 1, 3R, 4, 4X, 12 IEC 60529: IP66		STANDARD P/N: PC1010SS	ALL DIMENSIONS ARE IN INCHES UNLESS OTHERWISE SPECIFIED		TOLERANCES UNLESS SPECIFIED	.XX ± 0.03	.XXX ± 0.010
COLOR: N/A COLOR STANDARD: PANTONE 7541 C		CUSTOMER DWG:	 <p>A ROBROY ENCLOSURES™ BRAND</p>				
MATERIAL: POLYCARBONATE		REVISION HISTORY		Robroy Enclosures 500 Maple Street Belding, Michigan 48809 Phone: 616-794-0700 Fax: 616-749-3378			
REV	DESCRIPTION	DATE	ENG	DRAWN BY	DATE	CUSTOMER	DWG
-	-	-	-	BH	9/18/2020		PC1010SS
-	-	-	-	SCALE	DESCRIPTION	PART NUMBER	
-	-	-	-	DO NOT SCALE	STANDARD ENCLOSURE	FEPC1010SS	