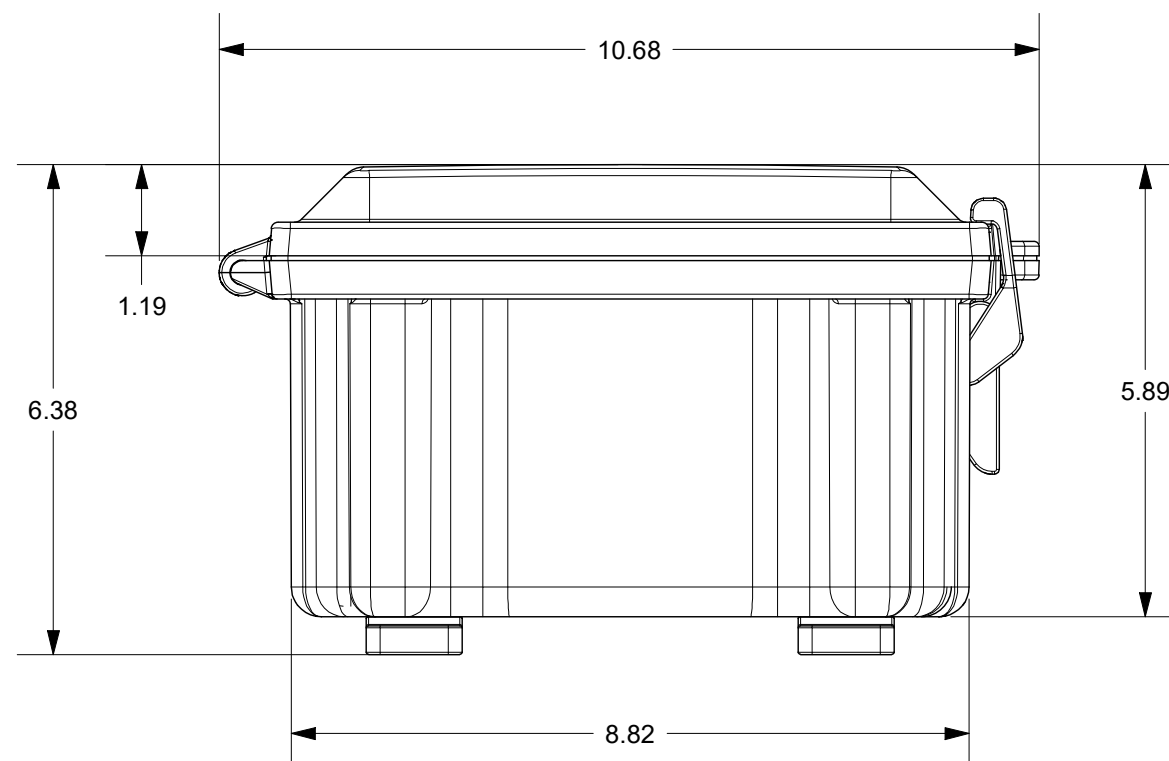
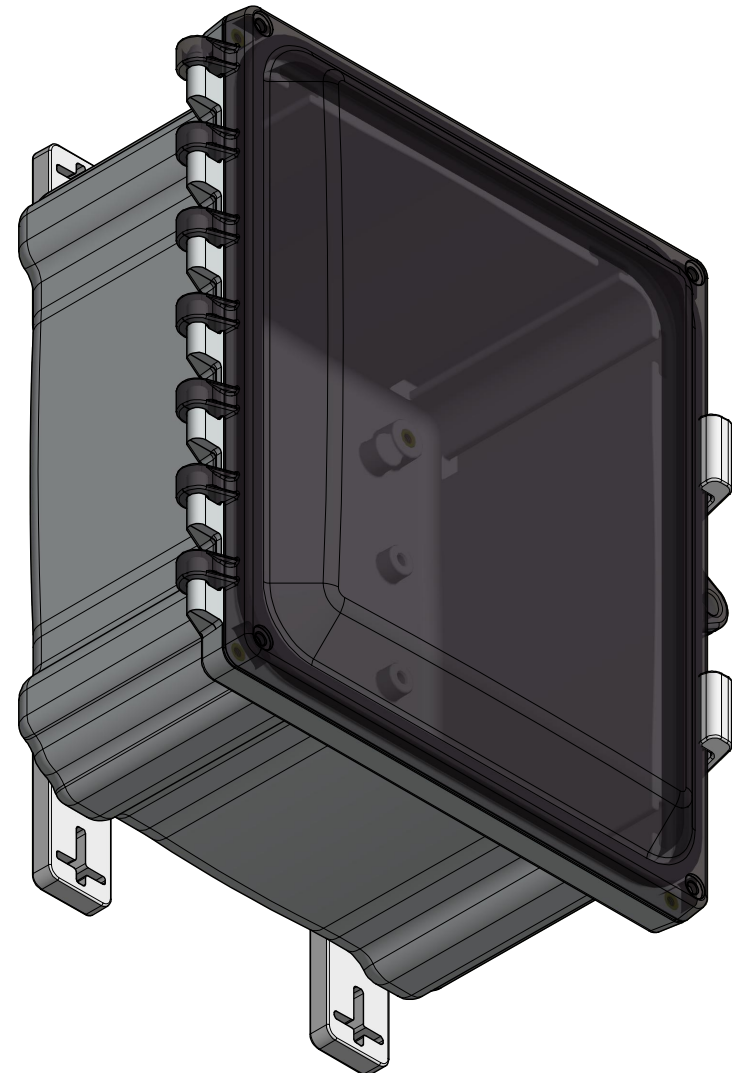
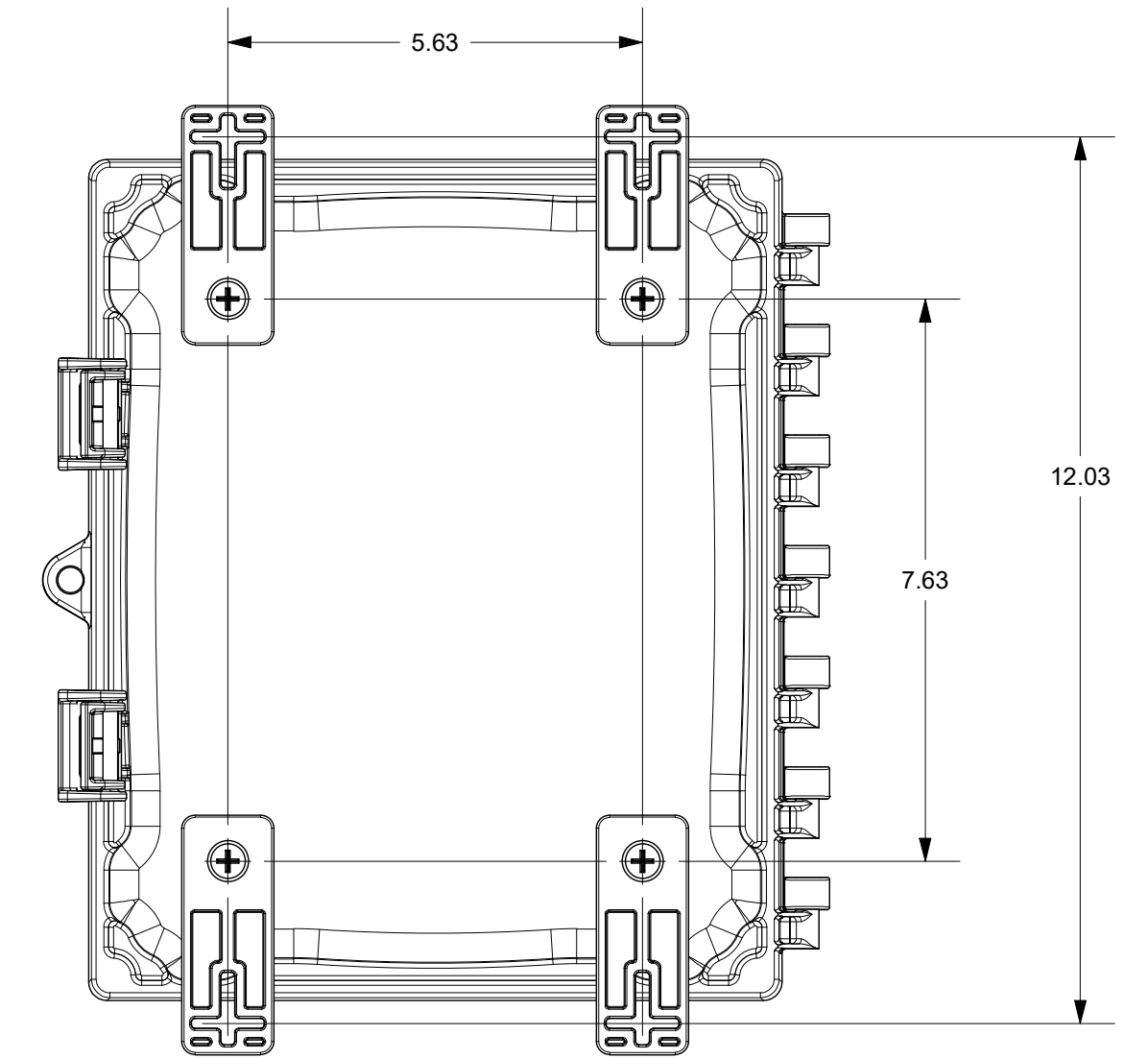
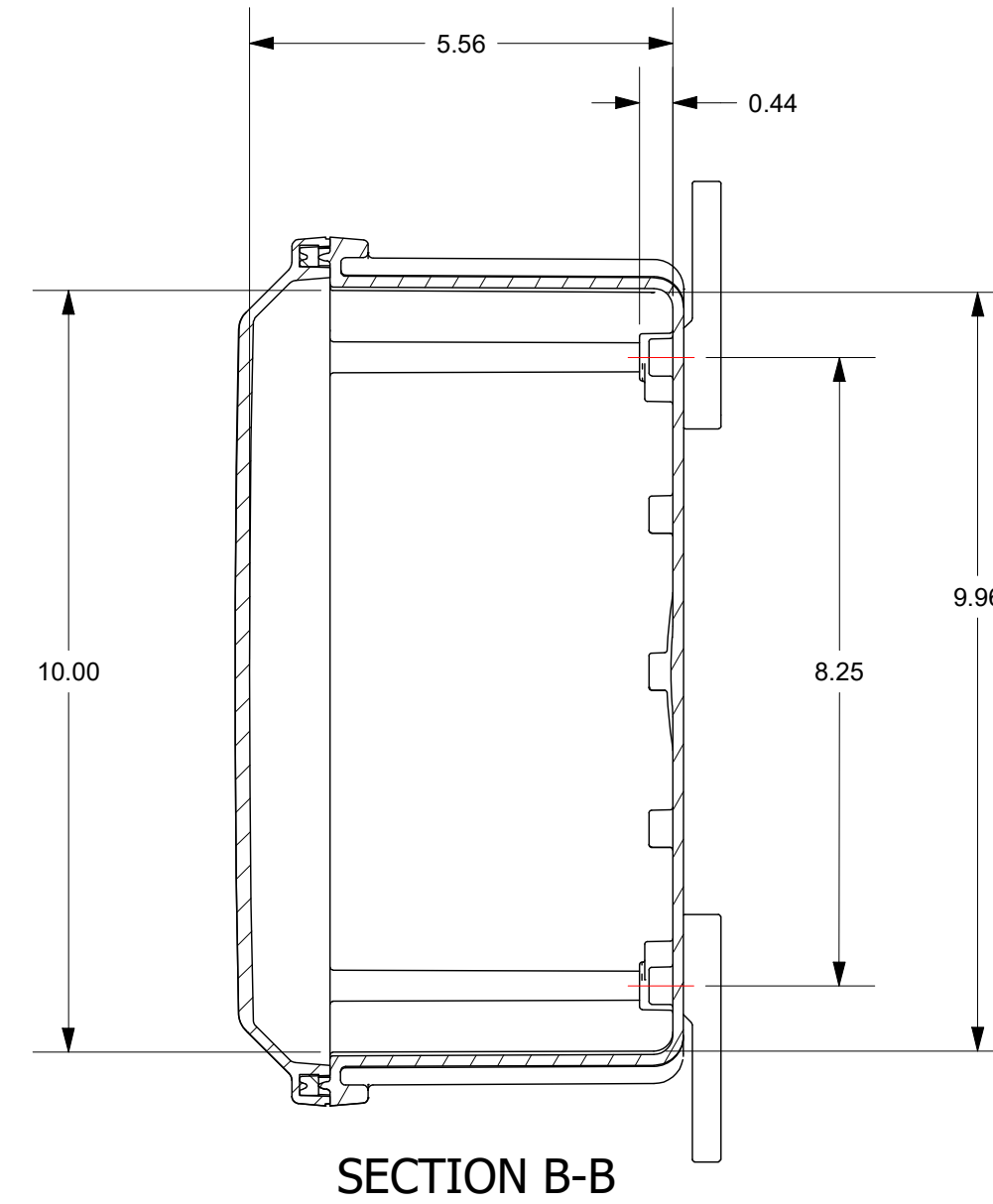
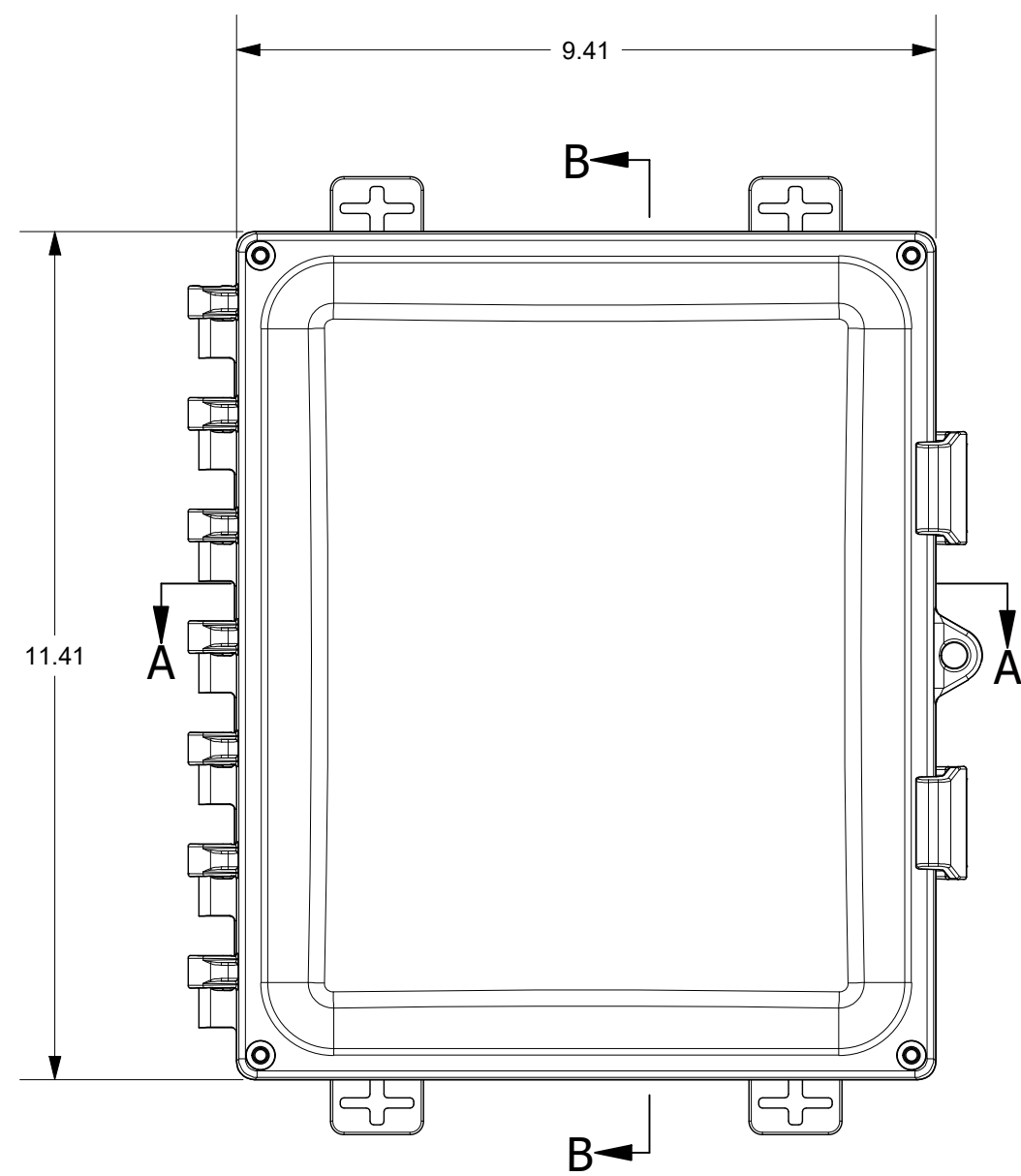
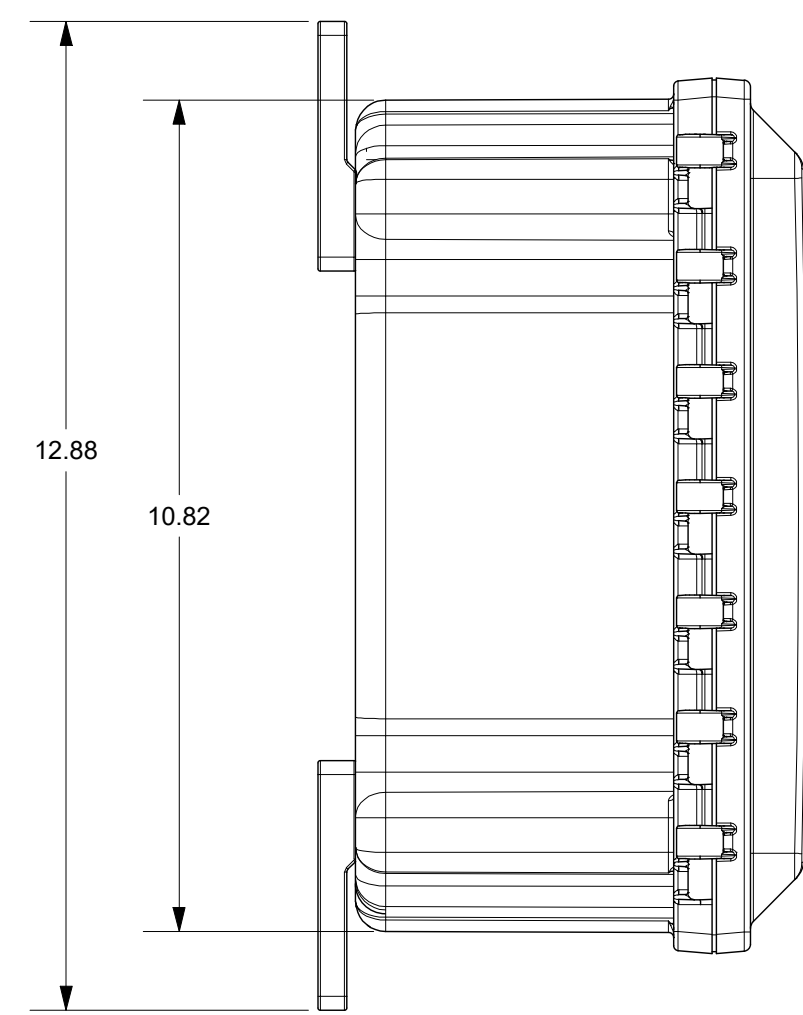


FOR REFERENCE ONLY  
MOUNTING FEET SHOWN AS INSTALLED



THIS DRAWING IS THE SOLE AND EXCLUSIVE PROPERTY OF ROBROY ENCLOSURES. NO PART OF THIS DRAWING MAY BE REPRODUCED, DISTRIBUTED, OR PUBLICALLY DISPLAYED IN ANY FORM OR BY ANY MEANS WITHOUT THE EXPRESS WRITTEN PERMISSION OF ROBROY ENCLOSURES. ALL RIGHTS RESERVED. UNDER THE COPYRIGHT LAWS. COPYRIGHT © 2020 ROBROY ENCLOSURES.

**SPECIAL REQUIREMENTS**  
**ASSEMBLY:**  
 1 (1) ACCESSORY KIT (WPPCACKIT) SHALL BE PACKAGED LOOSELY INSIDE ENCLOSURE  
**HARDWARE INCLUDED:**  
 - (4) #14-20 x 1/2 FLAT HEAD PHILLIPS MACHINE SCREW (RMSC114-20X.5FLPH)  
 - (4) #10-32 x 5/8 PAN HEAD PHILLIPS MACHINE SCREW (RMSC10/32X5/8SS)  
 - (4) #10-32 x 3/8 PAN HEAD SCREW (RMSC10/32X3/8ZN)  
 - (4) #10 WASHER (RMWAS10ZN)  
 2 (1) STYROFOAM SHEET SHALL BE PLACED ON TOP OF COVER INSIDE CARTON

NEMA 250: TYPE 1, 3R, 4, 4X, 12  
 IEC 60529: IP66  
 COLOR: N/A  
 COLOR STANDARD: PANTONE 7541 C

STANDARD P/N: PC1008CC  
 CUSTOMER DWG:

ALL DIMENSIONS ARE IN INCHES UNLESS OTHERWISE SPECIFIED  
 TOLERANCES UNLESS SPECIFIED .XX ± 0.03 .XXX ± 0.010

REVISION HISTORY			
REV	DESCRIPTION	DATE	ENG
-	-	-	-
-	-	-	-
-	-	-	-
-	-	-	-
-	-	-	-
-	-	-	-

DRAWN BY		DATE	CUSTOMER	DWG
BH		10/20/20		PC1008CC
SCALE		DESCRIPTION	PART NUMBER	
DO NOT SCALE		STANDARD ENCLOSURE	FEPC1008CC	

