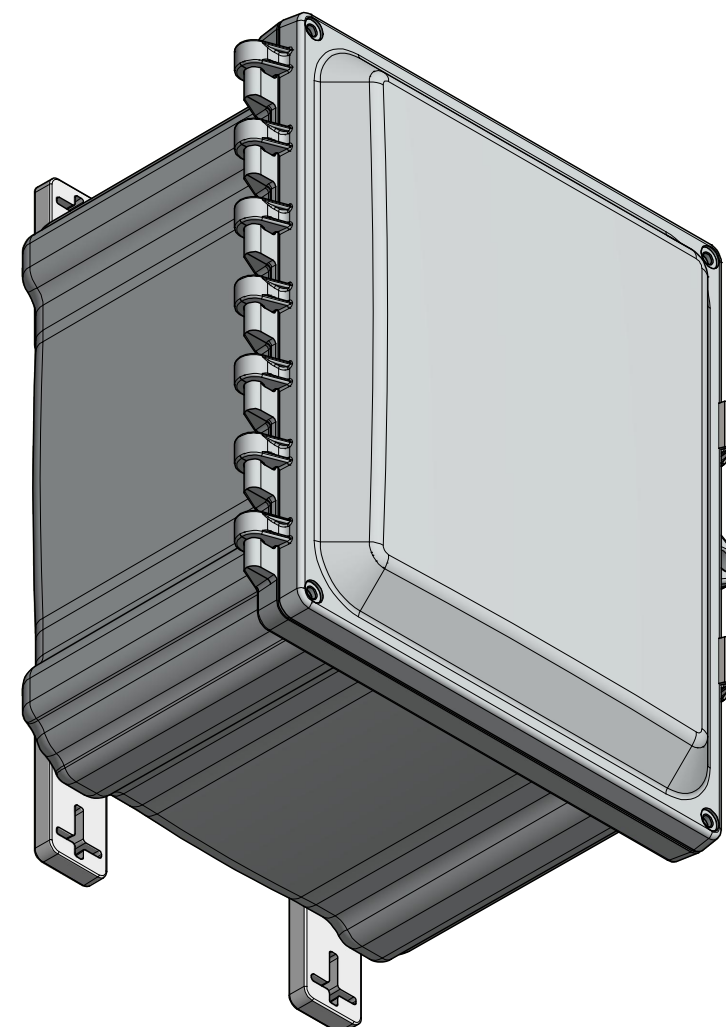
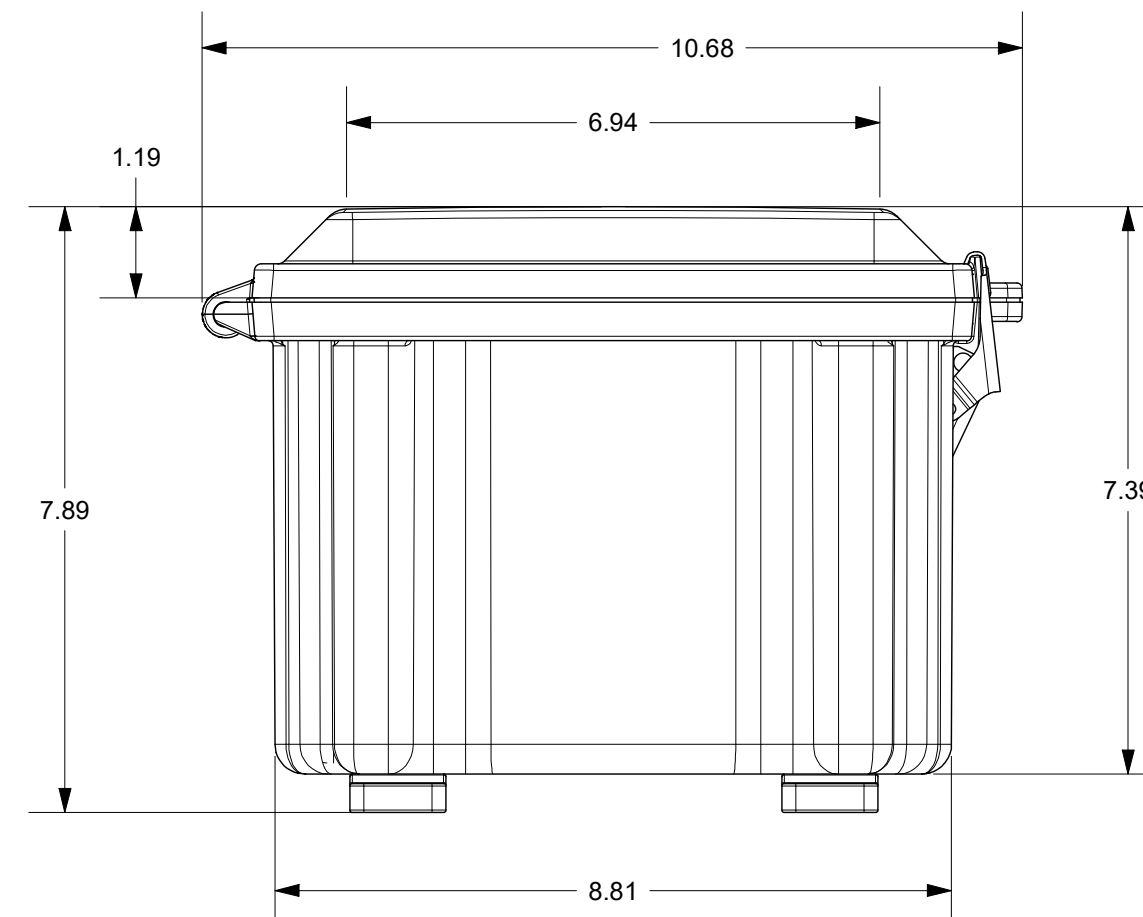
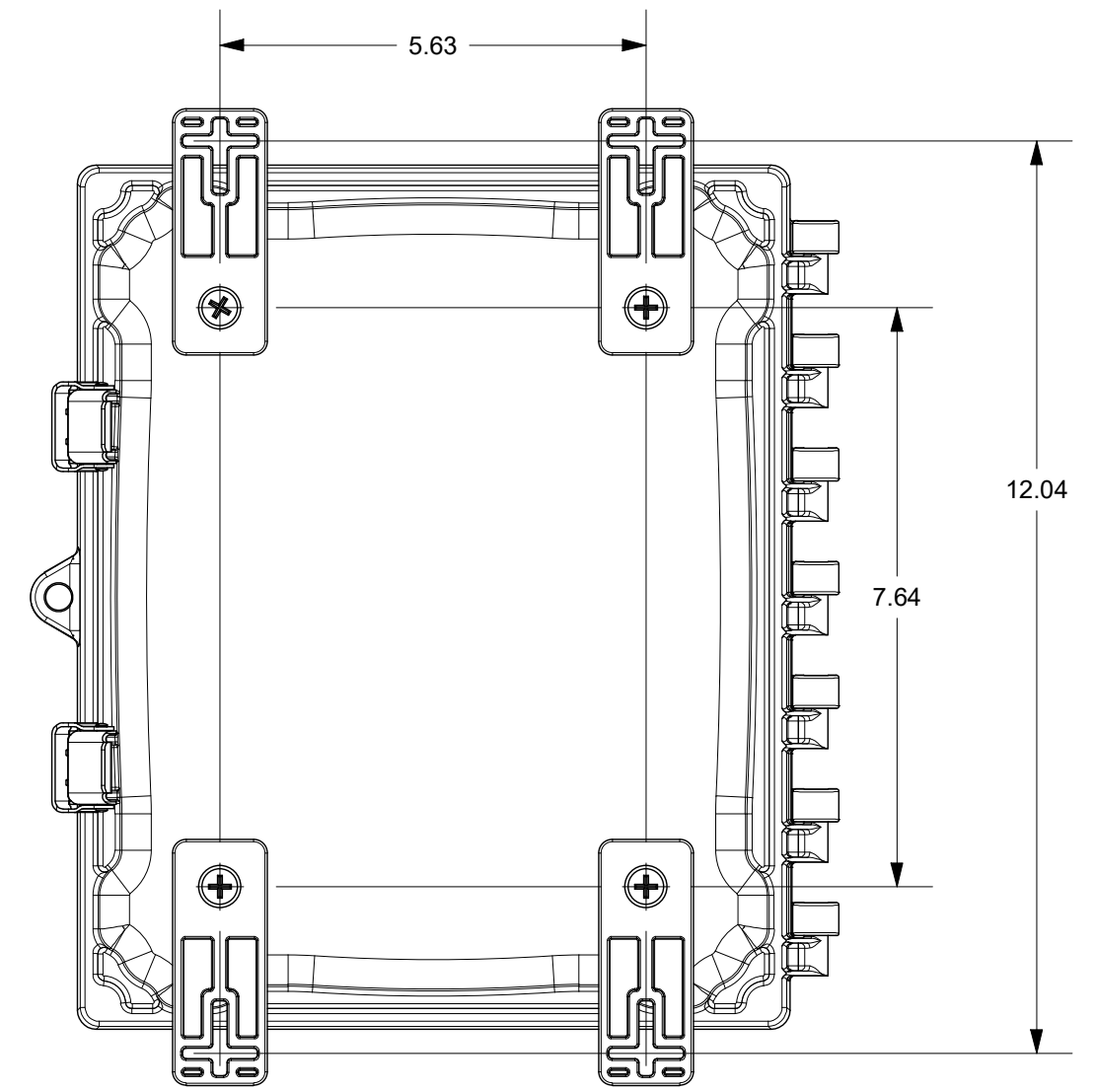
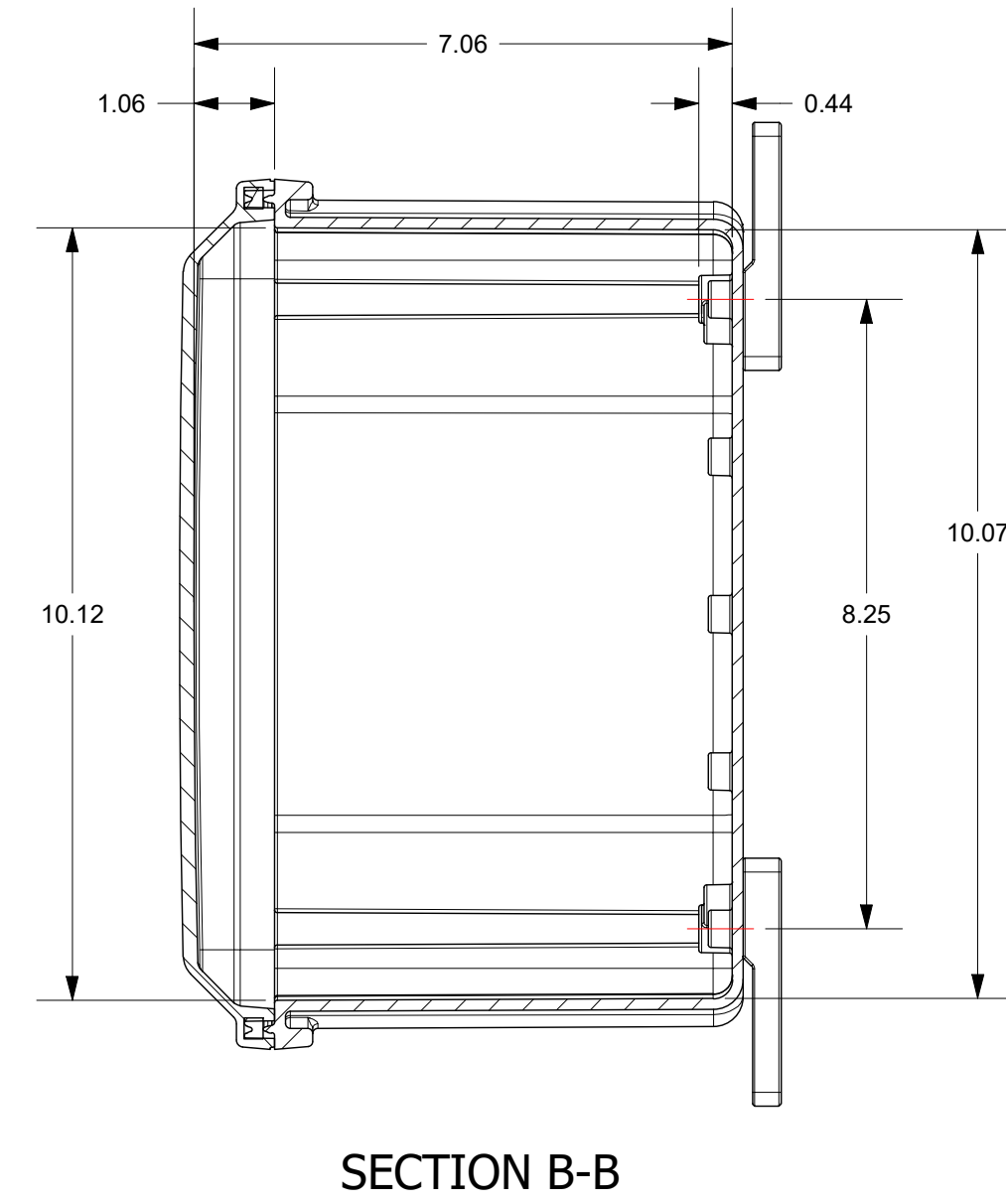
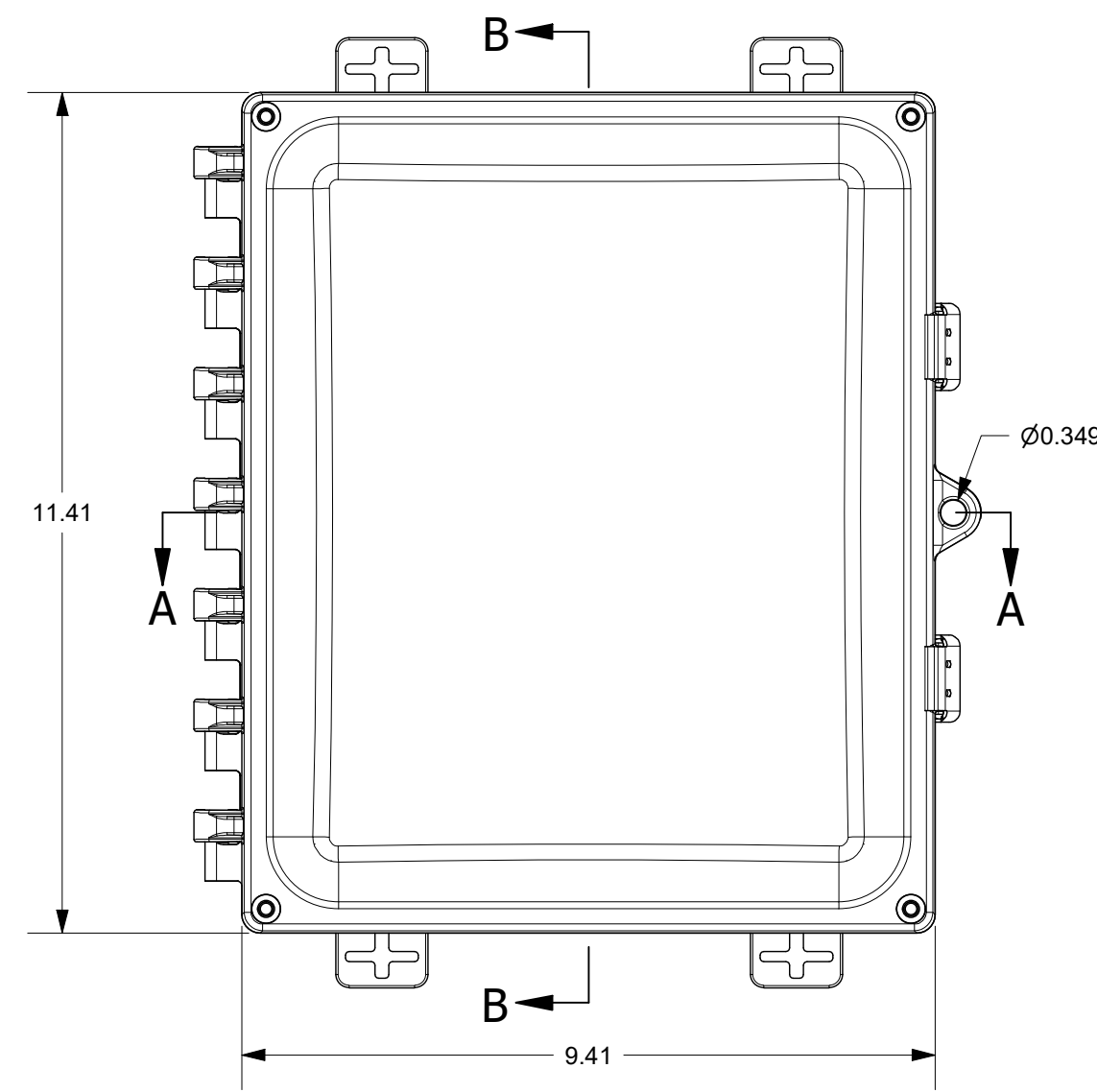
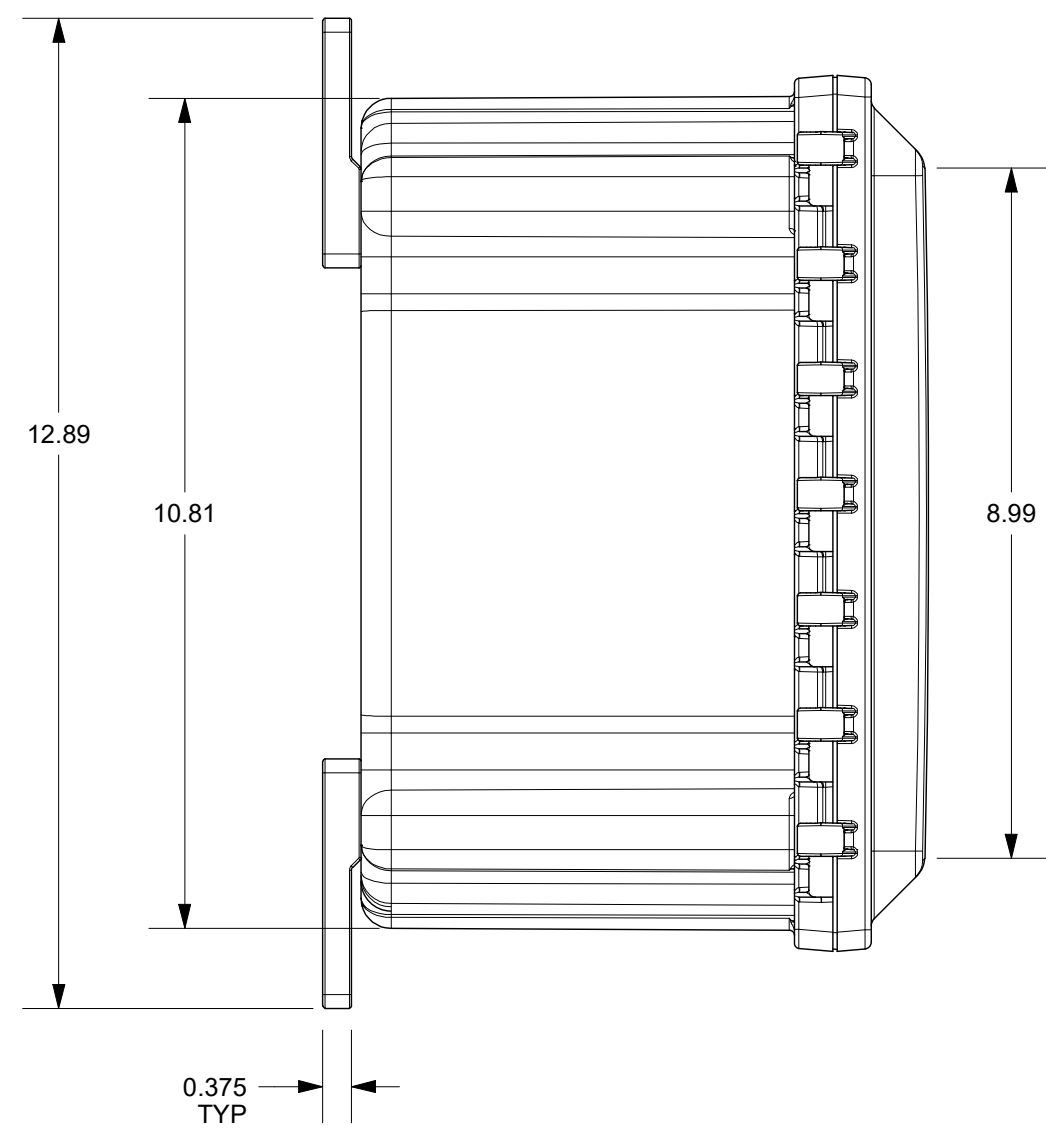


FOR REFERENCE ONLY  
MOUNTING FEET SHOWN AS INSTALLED



THIS DRAWING IS THE SOLE AND EXCLUSIVE PROPERTY OF ROBROY ENCLOSURES. NO PART OF THIS DRAWING MAY BE REPRODUCED, DISTRIBUTED, OR PUBLICALLY DISPLAYED IN ANY FORM OR BY ANY MEANS WITHOUT THE EXPRESS WRITTEN PERMISSION OF ROBROY ENCLOSURES. ALL RIGHTS RESERVED. UNDER THE COPYRIGHT LAWS. COPYRIGHT © 2020 ROBROY ENCLOSURES.

**SPECIAL REQUIREMENTS**  
 1. (1) POLYCARBONATE ACCESSORY KIT (WPPCACCKIT) SHALL BE PACKAGED LOOSELY INSIDE ENCLOSURE.  
 HARDWARE INCLUDED:  
 - (4) #1/4-20 x 1/2 FLAT HEAD PHILLIPS MACHINE SCREW (RMSC11/4.20X.5FLPH)  
 - (4) #10-32 x 5/8 PAN HEAD PHILLIPS MACHINE SCREW (RMSC10/32X5/8SS)  
 - (4) #10-32 x 3/8 PAN HEAD SCREW (RMSC10/32X3/8ZN)  
 - (4) #10 WASHER (RMWAS10ZN)  
 2. (1) STYROFOAM SHEET SHALL BE PLACED ON TOP OF COVER INSIDE CARTON.

NEMA 250: TYPE 1, 3R, 4, 4X, 12  
 IEC 60529: IP66  
 COLOR: N/A  
 COLOR STANDARD: PANTONE 7541 C

STANDARD P/N: PC100806SS  
 CUSTOMER DWG:

ALL DIMENSIONS ARE IN INCHES UNLESS OTHERWISE SPECIFIED  
 TOLERANCES UNLESS SPECIFIED .XX ± 0.03 .XXX ± 0.010

MATERIAL: POLYCARBONATE			
REVISION HISTORY			
REV	DESCRIPTION	DATE	ENG
-	-	-	-
-	-	-	-
-	-	-	-
-	-	-	-
-	-	-	-
-	-	-	-

DRAWN BY: BH		DATE: 9/23/2020	CUSTOMER:	DWG: PC100806SS
SCALE: DO NOT SCALE	DESCRIPTION: STANDARD ENCLOSURE	PART NUMBER: FEPC100806SS		

