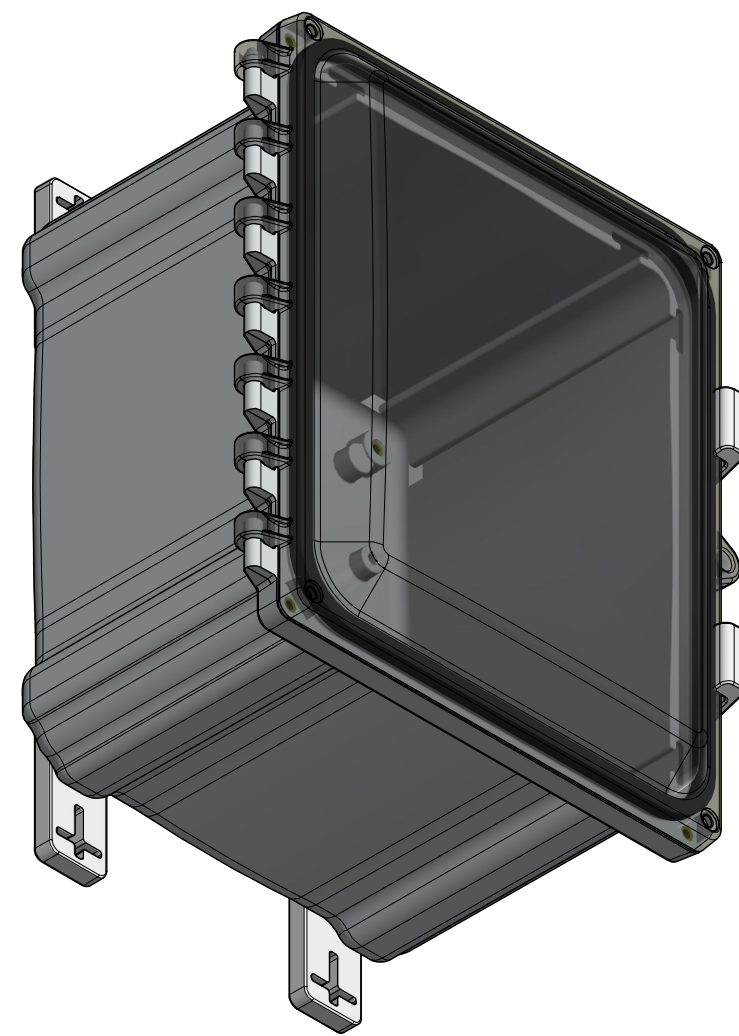
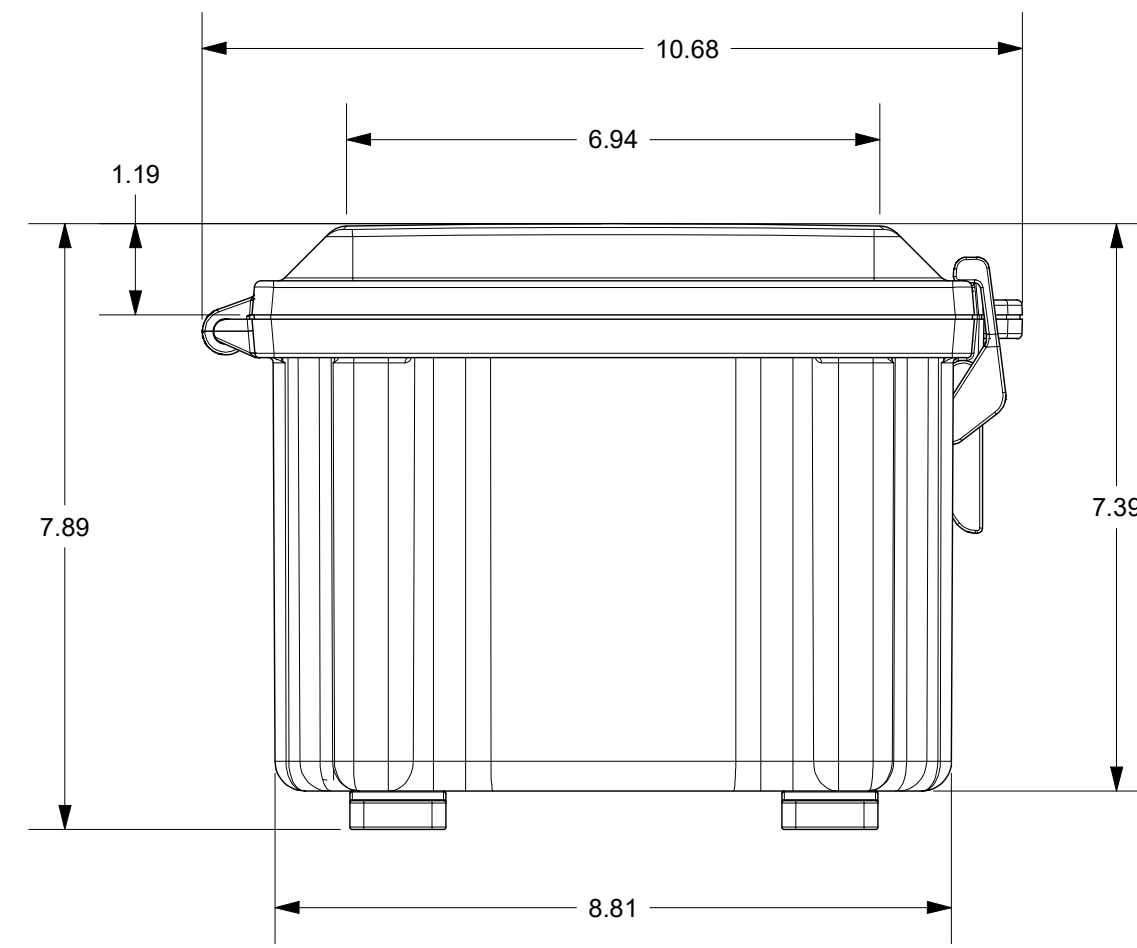
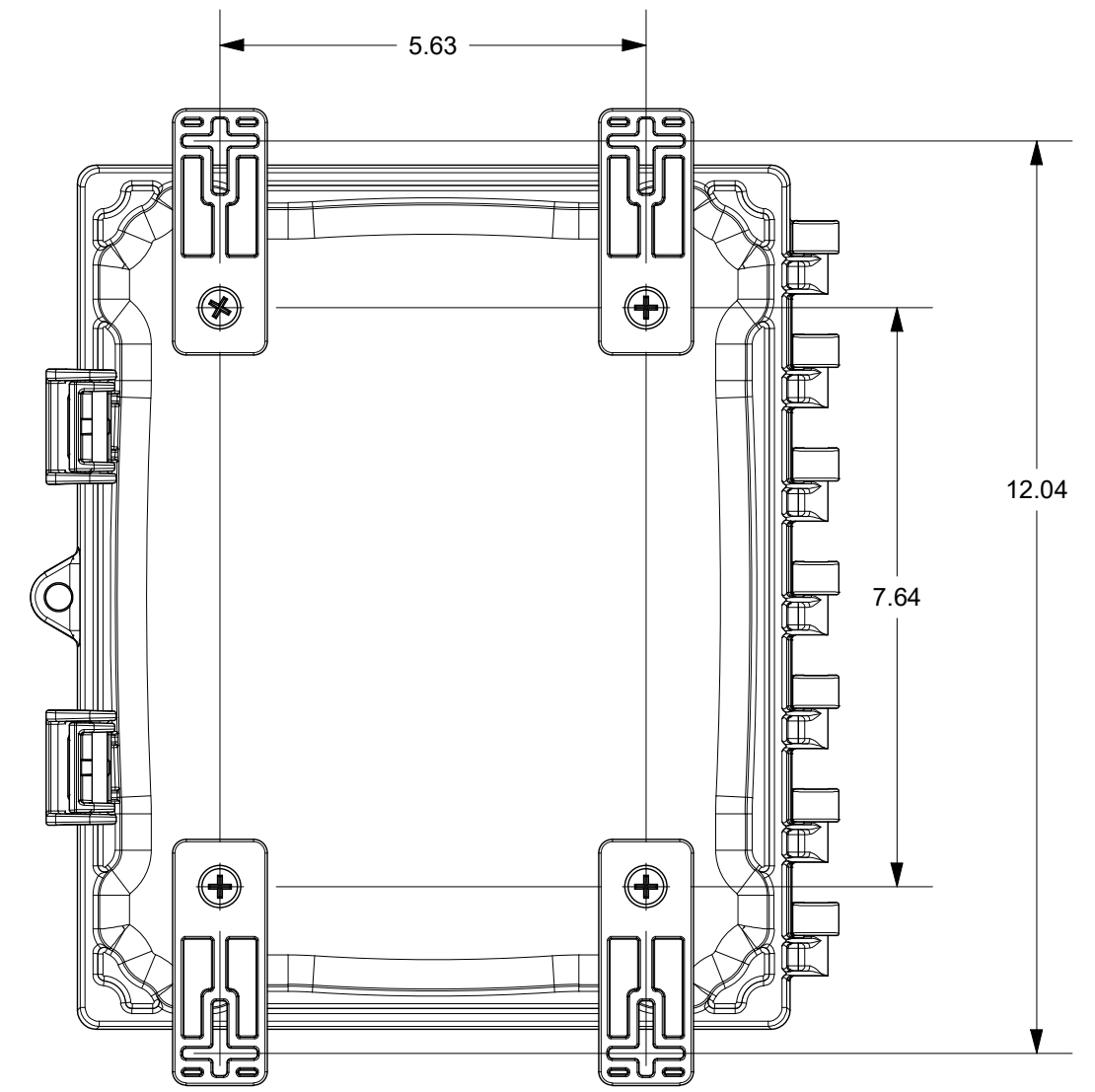
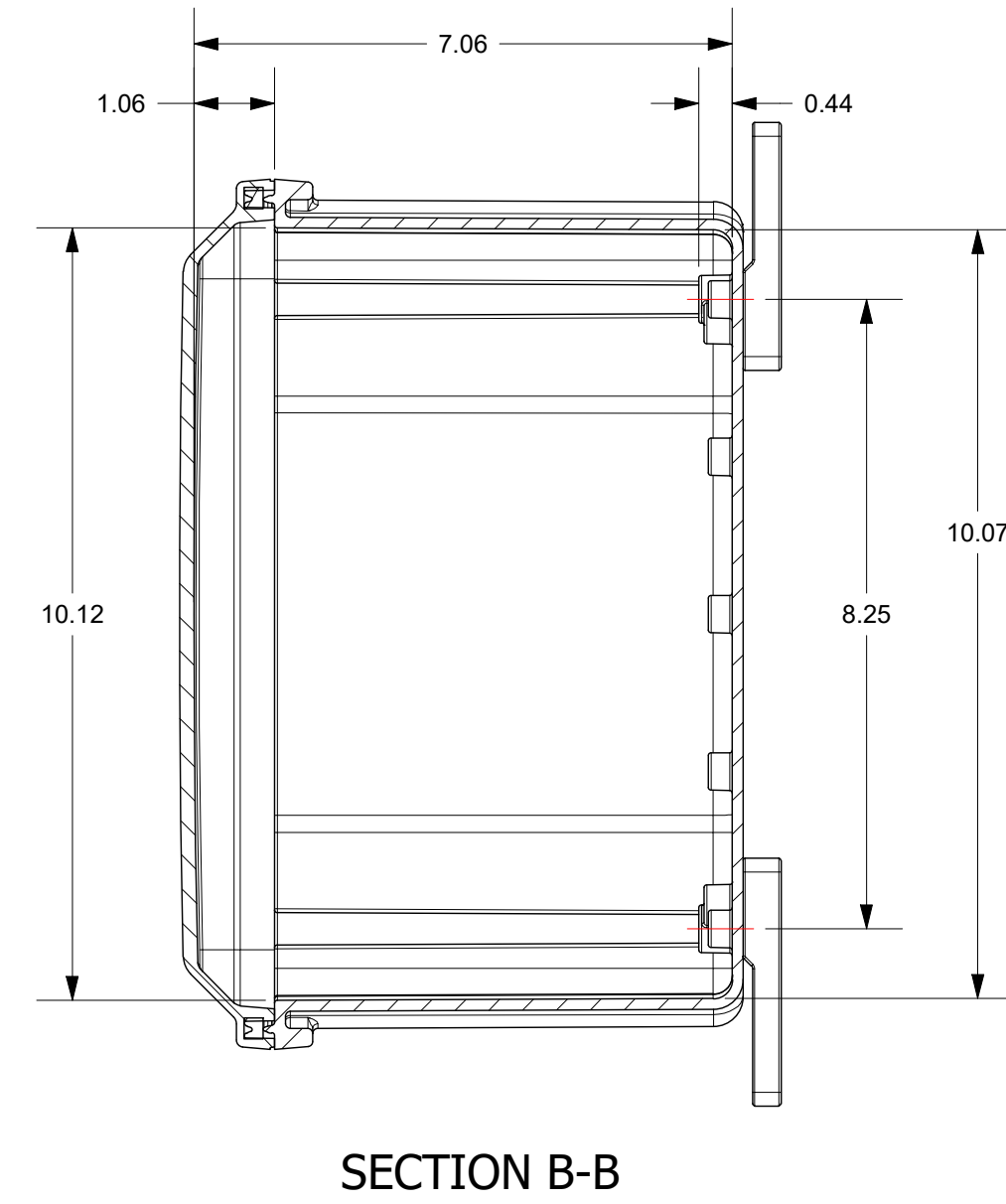
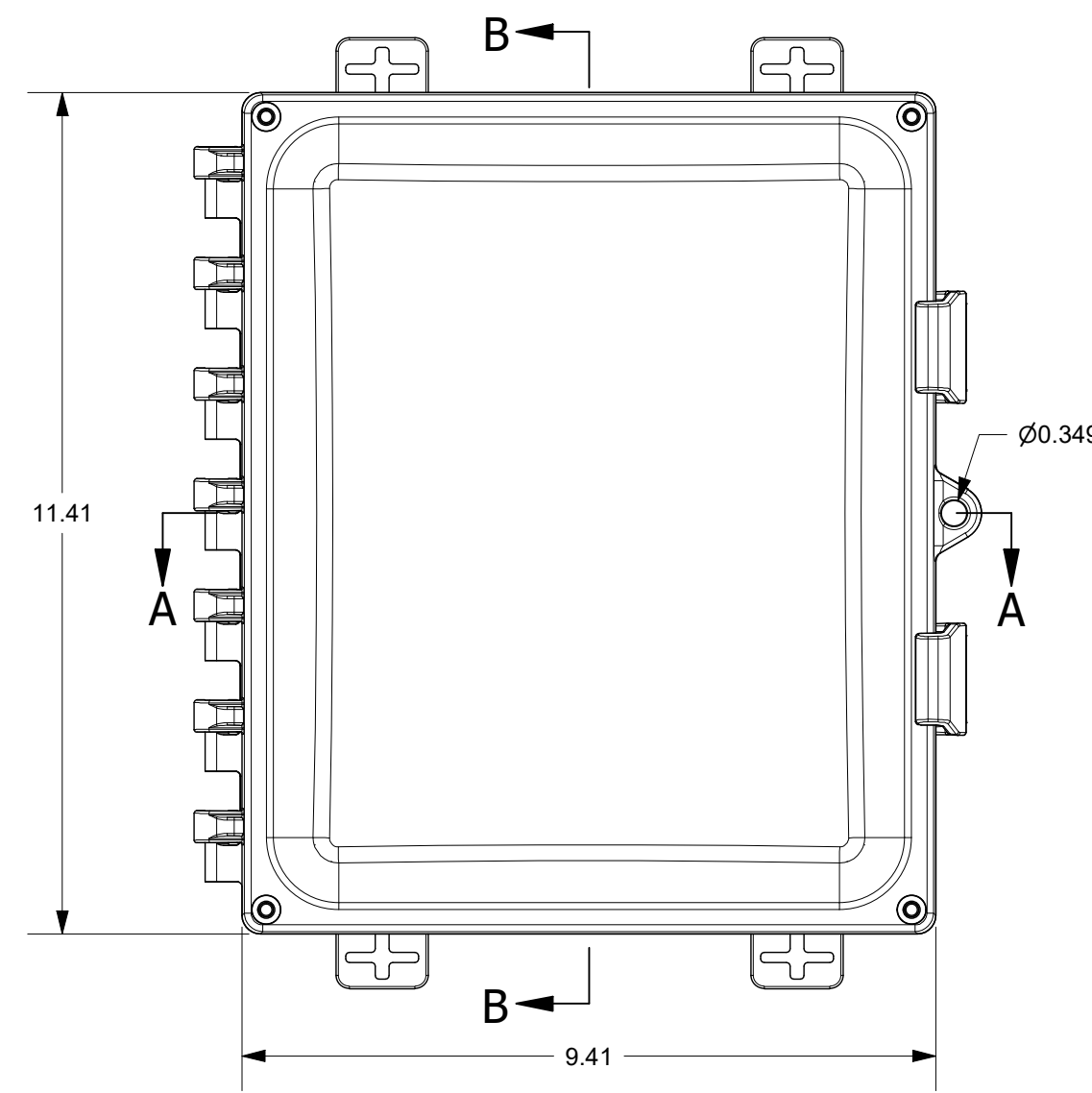
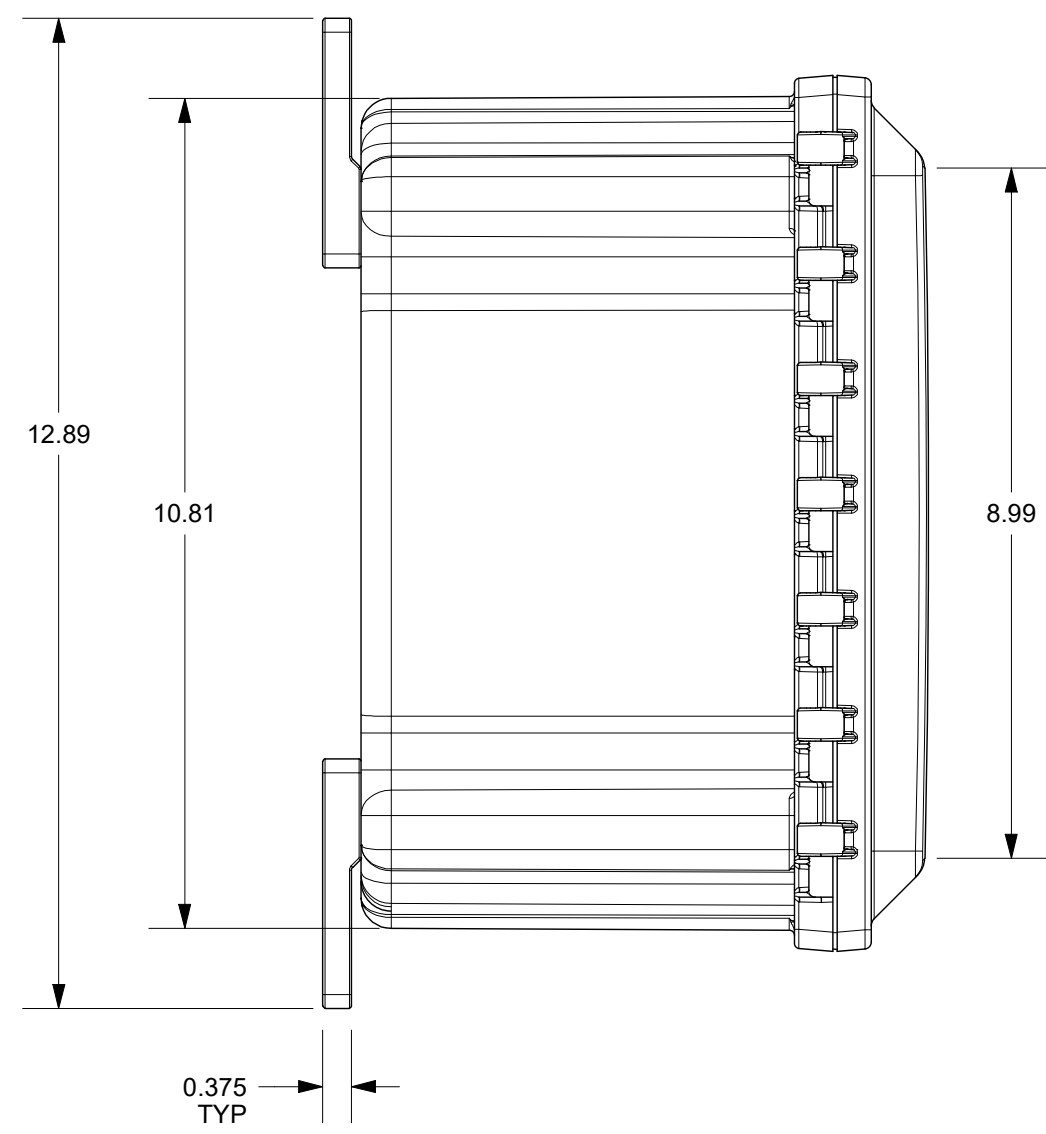


FOR REFERENCE ONLY
MOUNTING FEET SHOWN AS INSTALLED




THIS DRAWING IS THE SOLE AND EXCLUSIVE PROPERTY OF ROBROY ENCLOSURES. NO PART OF THIS DRAWING MAY BE REPRODUCED, DISTRIBUTED, OR PUBLICALLY DISPLAYED IN ANY FORM OR BY ANY MEANS WITHOUT THE EXPRESS WRITTEN PERMISSION OF ROBROY ENCLOSURES. ALL RIGHTS RESERVED. UNDER THE COPYRIGHT LAWS. COPYRIGHT © 2017 ROBROY ENCLOSURES.

SPECIAL REQUIREMENTS

ASSEMBLY:
1. (1) POLYCARBONATE ACCESSORY KIT (WPPCACCKIT) SHALL BE PACKAGED LOOSELY INSIDE ENCLOSURE

HARDWARE INCLUDED:
-(4) 1/4-20 x 1/2 FLAT HEAD PHILLIPS MACHINE SCREW (RMSC14-20X.5FLPH)
-(4) #10-32 x 5/8 PAN HEAD PHILLIPS MACHINE SCREW (RMSC1032X5/8SS)
-(4) #10-32 x 3/8 PAN HEAD SCREW (RMSC1032X3/8ZN)
-(4) #10 WASHER (RMWAS10ZN)

2. (1) STYROFOAM SHEET SHALL BE PLACED ON TOP OF COVER INSIDE CARTON

NEMA 250: TYPE 1, 3R, 4, 4X, 12 IEC 60529: IP66	STANDARD P/N: PC100806CC	ALL DIMENSIONS ARE IN INCHES UNLESS OTHERWISE SPECIFIED	TOLERANCES UNLESS SPECIFIED	.XX ± 0.03	.XXX ± 0.010																																									
COLOR: N/A COLOR STANDARD: PANTONE 7541 C	CUSTOMER DWG:	 STAHLIN A ROBROY ENCLOSURES™ BRAND Robroy Enclosures 500 Maple Street Belding, Michigan 48809 Phone: 616-794-0700 Fax: 616-749-3378																																												
MATERIAL: POLYCARBONATE																																														
<table border="1"> <thead> <tr> <th>REV</th> <th>DESCRIPTION</th> <th>DATE</th> <th>ENG</th> </tr> </thead> <tbody> <tr><td>-</td><td>-</td><td>-</td><td>-</td></tr> <tr><td>-</td><td>-</td><td>-</td><td>-</td></tr> <tr><td>-</td><td>-</td><td>-</td><td>-</td></tr> <tr><td>-</td><td>-</td><td>-</td><td>-</td></tr> <tr><td>-</td><td>-</td><td>-</td><td>-</td></tr> <tr><td>-</td><td>-</td><td>-</td><td>-</td></tr> </tbody> </table>		REV	DESCRIPTION	DATE	ENG	-	-	-	-	-	-	-	-	-	-	-	-	-	-	-	-	-	-	-	-	-	-	-	-	<table border="1"> <tr> <td>DRAWN BY</td> <td>DATE</td> <td>CUSTOMER</td> <td>DWG</td> </tr> <tr> <td>DRH</td> <td>09/22/17</td> <td></td> <td>PC100806CC</td> </tr> <tr> <td>SCALE</td> <td>DESCRIPTION</td> <td>PART NUMBER</td> <td></td> </tr> <tr> <td>DO NOT SCALE</td> <td>STANDARD ENCLOSURE</td> <td>FEPC100806CC</td> <td></td> </tr> </table>	DRAWN BY	DATE	CUSTOMER	DWG	DRH	09/22/17		PC100806CC	SCALE	DESCRIPTION	PART NUMBER		DO NOT SCALE	STANDARD ENCLOSURE	FEPC100806CC	
REV	DESCRIPTION	DATE	ENG																																											
-	-	-	-																																											
-	-	-	-																																											
-	-	-	-																																											
-	-	-	-																																											
-	-	-	-																																											
-	-	-	-																																											
DRAWN BY	DATE	CUSTOMER	DWG																																											
DRH	09/22/17		PC100806CC																																											
SCALE	DESCRIPTION	PART NUMBER																																												
DO NOT SCALE	STANDARD ENCLOSURE	FEPC100806CC																																												