

**BONDED WINDOWS**

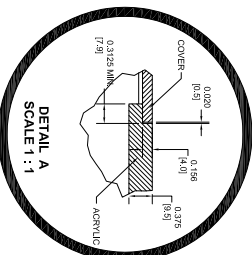
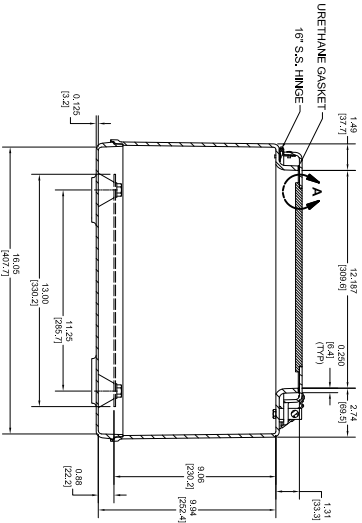
1. ROUTE COVER FACE DOWN AND REMOVE THE TWO MOUNTING BOSS WHEN REQUIRED.

2. ROUTE BOTH SURFACES BEFORE BONDING MINIMUM OVERLAP BETWEEN THE WINDOW AND COVER IS 1/4\"/>

**SPECIAL REQUIREMENTS**

3. ALL FILE #65456, VOL. 1, SPEC. GEN. TYPE RATINGS 1, 2, 3, 4, 12.

**SECTION AA**



**SECTION B-B**

NOTES: U.L.55A TYPE 1, 3R, 4X, 12

THIS DRAWING AND THE INFORMATION HEREON ARE THE PROPERTY OF STAHLIN ENCLOSEMENTS AND SHALL BE USED BY OTHERS ONLY AS AUTHORIZED BY STAHLIN ENCLOSEMENTS. ALL RIGHTS RESERVED. VISIT WWW.STAHLIN.COM FOR TERMS AND CONDITIONS OF SALES.

REV	DATE	BY	CHKD	DESCRIPTION
1	11/11/2008	...	...	...

DATE	11/11/2008
SCALE	DO NOT SCALE

ALL DIMENSIONS ARE UNLESS SPECIFIED .XXX ± 0.030 (0.79)	
UNLESS SPECIFIED .XXX ± 0.015 (0.25)	
TOLERANCES	XXX ± 0.030 (0.79)
UNLESS SPECIFIED .XXX ± 0.015 (0.25)	
STAHLIN ENCLOSEMENTS	BEIJING, MICHIGAN
46809	46809
CUSTOMER	STAHLIN ENCLOSEMENTS
PART NO.	WIND01019HWT
ENCLOSURE	WIND01019HWT