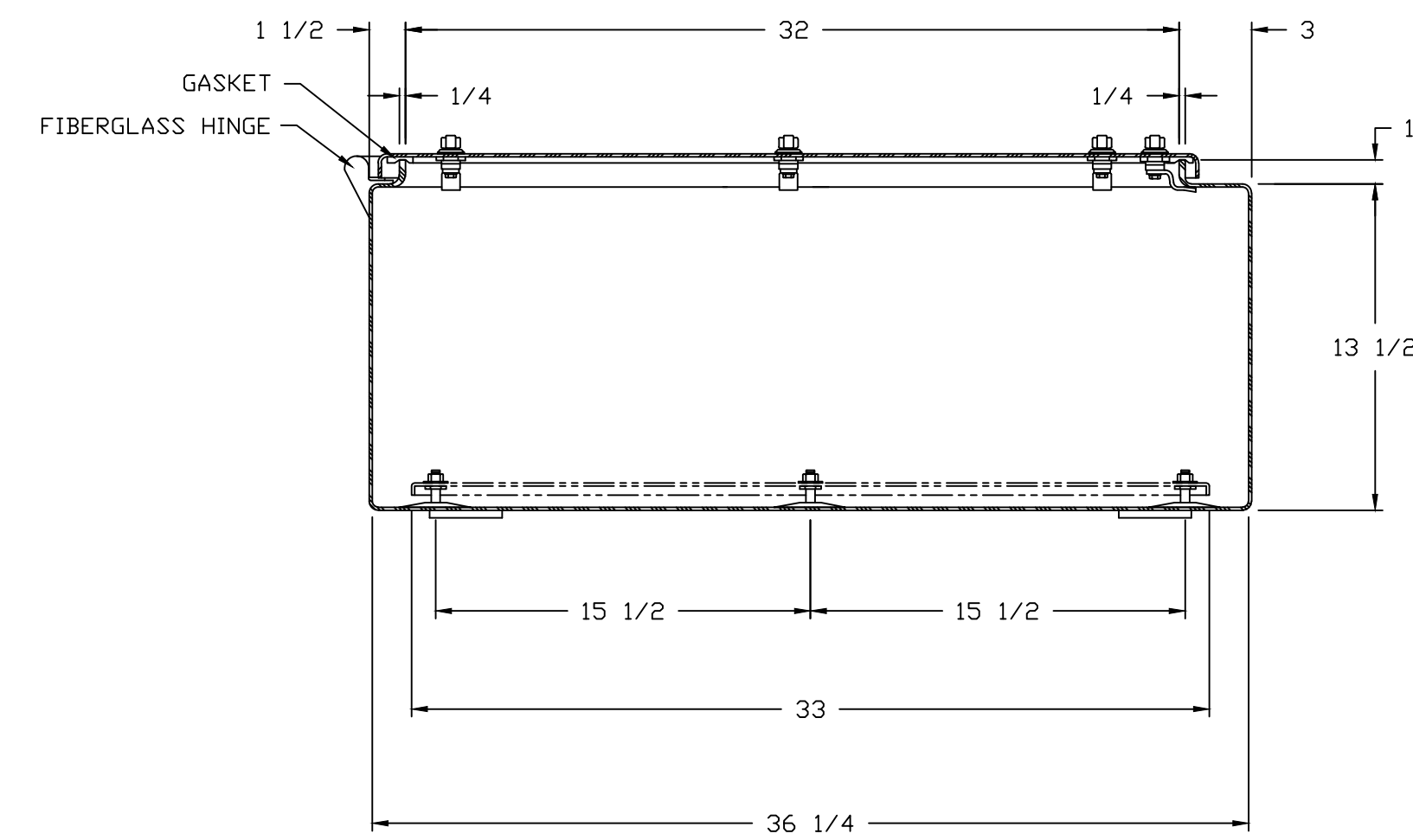
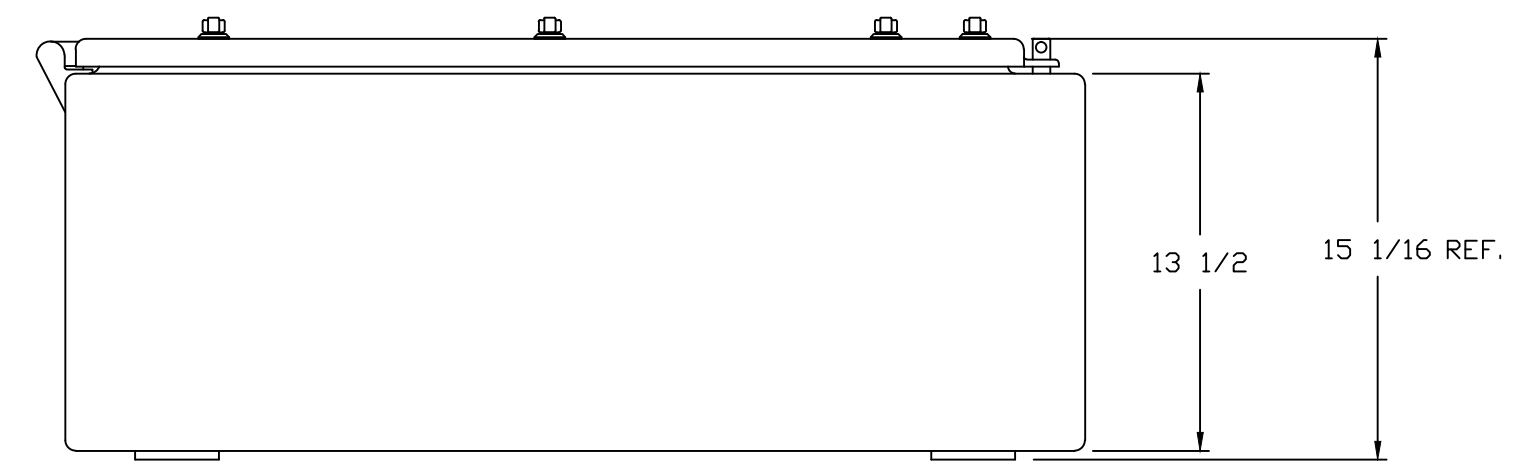



SECTION B-B



SECTION A-A

NOTES:

EXTERIOR AND INTERIOR COLOR: GLACIER GRAY NEMA 4X						TOLERANCES UNLESS SPECIFIED		DECIMAL ±	FRACTIONAL ± 1/8
ALL WALL THICKNESS TO BE 1/8"									
MATERIAL				DR. BY	DATE	 BELDING, MICHIGAN 48809			
F.R. POLYESTER FIBERGLASS				GF	4/13/99				
LET.	REVISION RECORD			DATE	BY	CHD.	APD. BY	DATE	CUSTOMER
									AutoCAD DWG FILE N363613FHLWT
				SCALE		PART NAME		PART NO.	
				DO NOT SCALE		ENCLOSURE		N363613FHLWT	