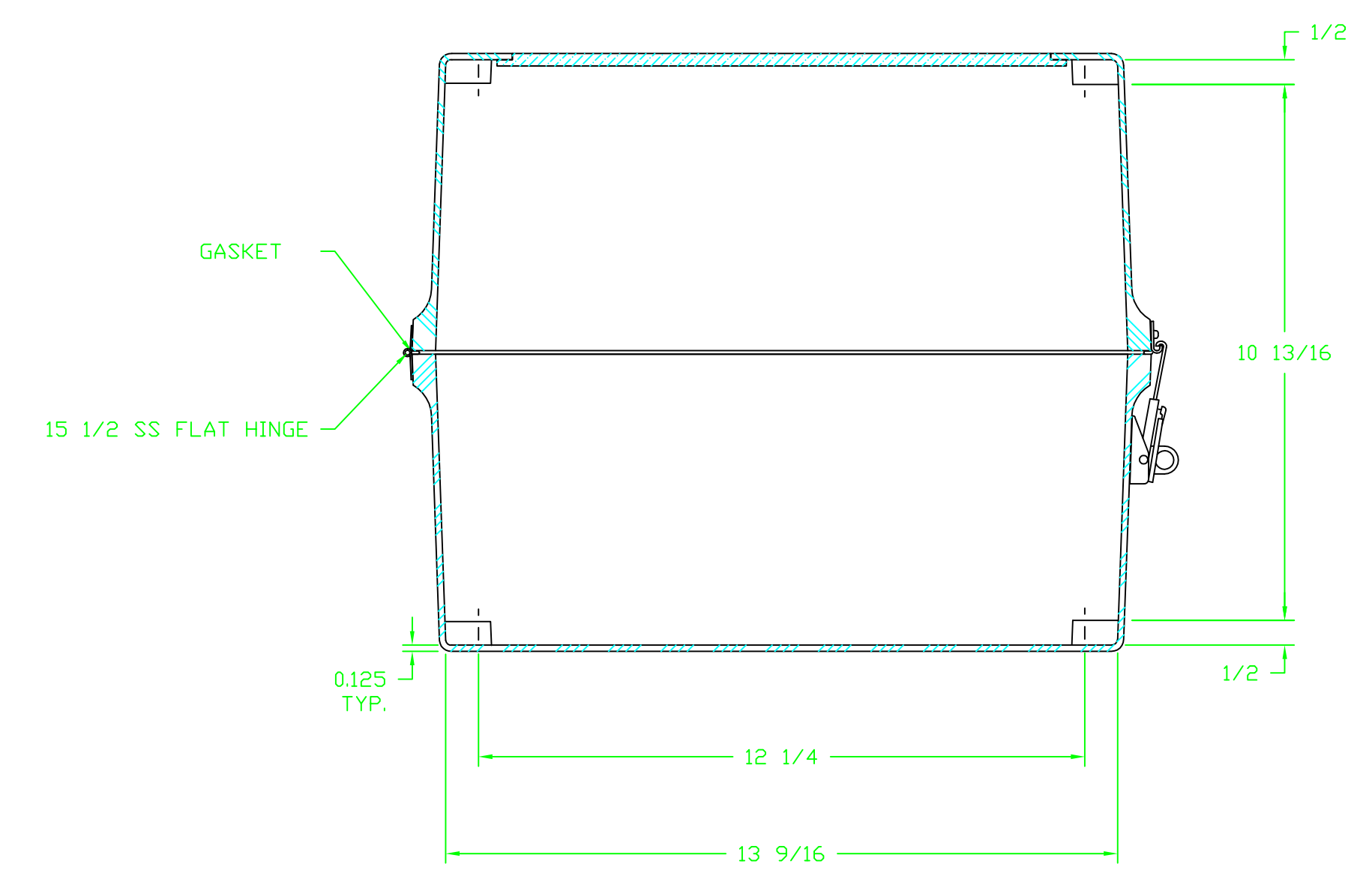
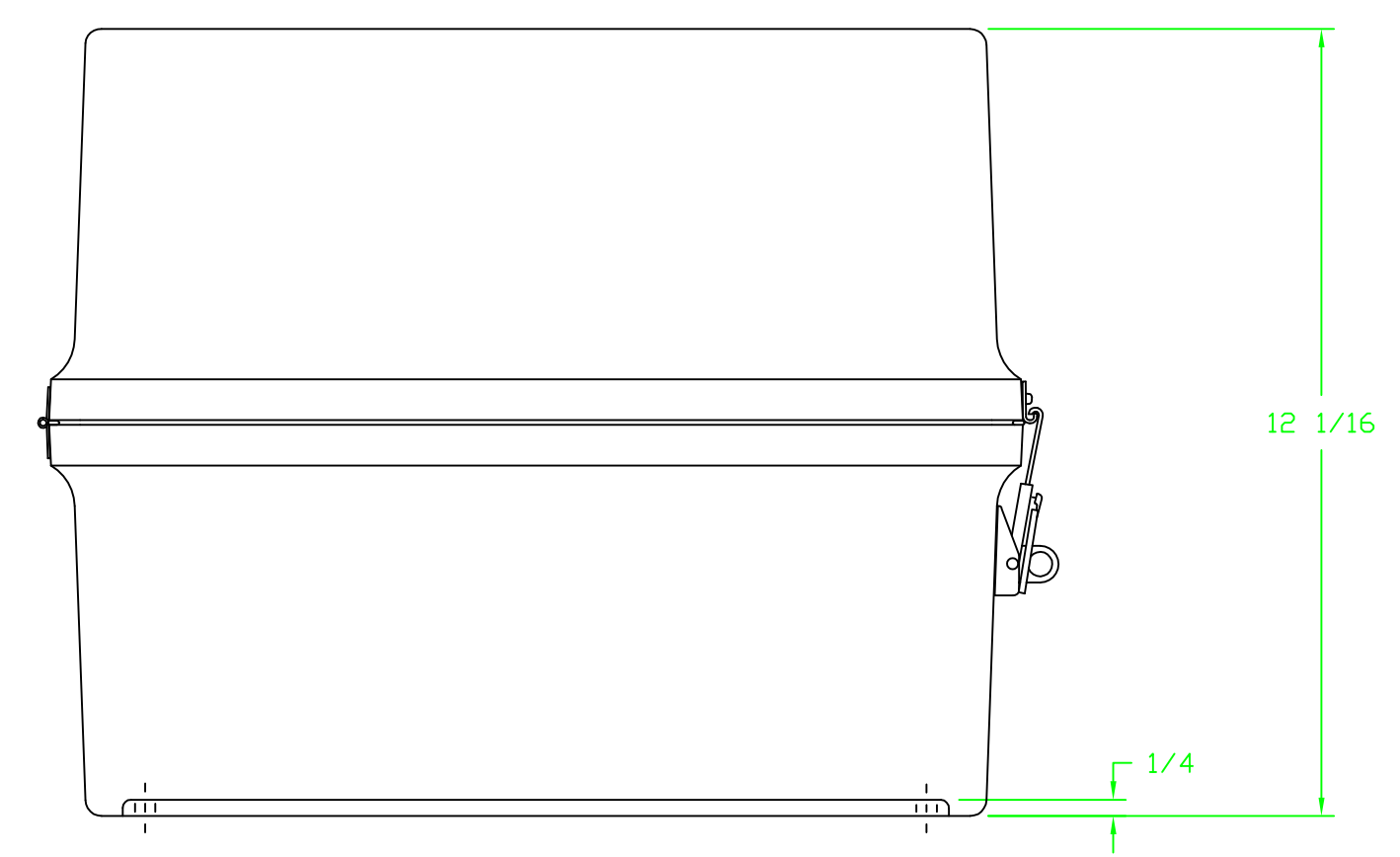


SECTION B-B



SECTION A-A

NOTES:

COLOR: GLACIER GRAY RR1013				TOLERANCES UNLESS SPECIFIED		DECIMAL ±.010	FRACTIONAL ± 1/32
MATERIAL NEMA 4X				DR. BY GF		DATE 6/21/91	
F.R. POLYESTER FIBERGLASS				CHK. BY		DATE	
LET.	REVISION RECORD	DATE	BY	CHD.	APD. BY	DATE	CUSTOMER
							AutoCAD DWG FILE
SCALE DO NOT SCALE				PART NAME ENCLOSURE		PART NO. JW161412SSH	

STAHLIN ENCLOSURES DIVISION OF ROBROY INDUSTRIES

BELDING, MICHIGAN 48809