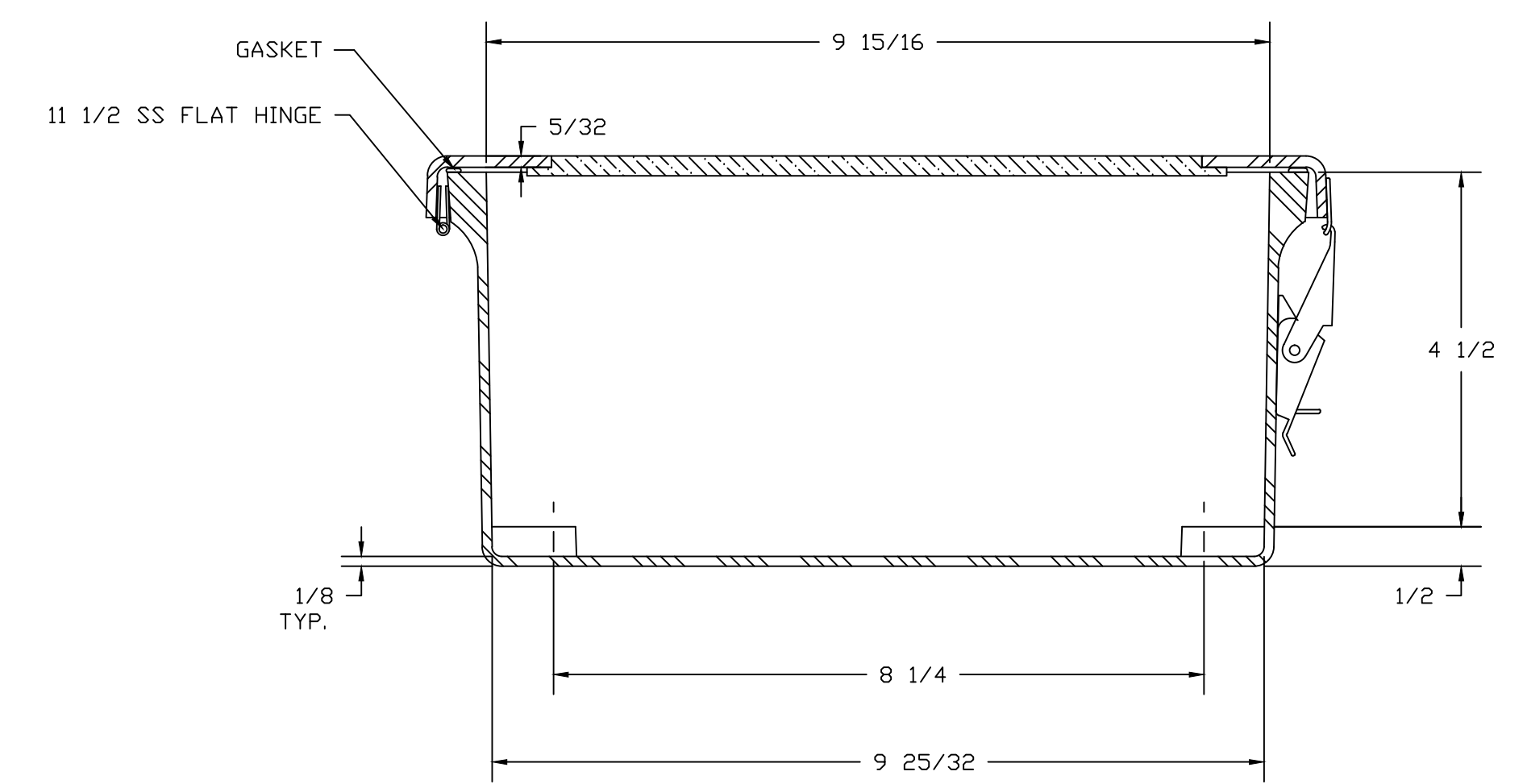
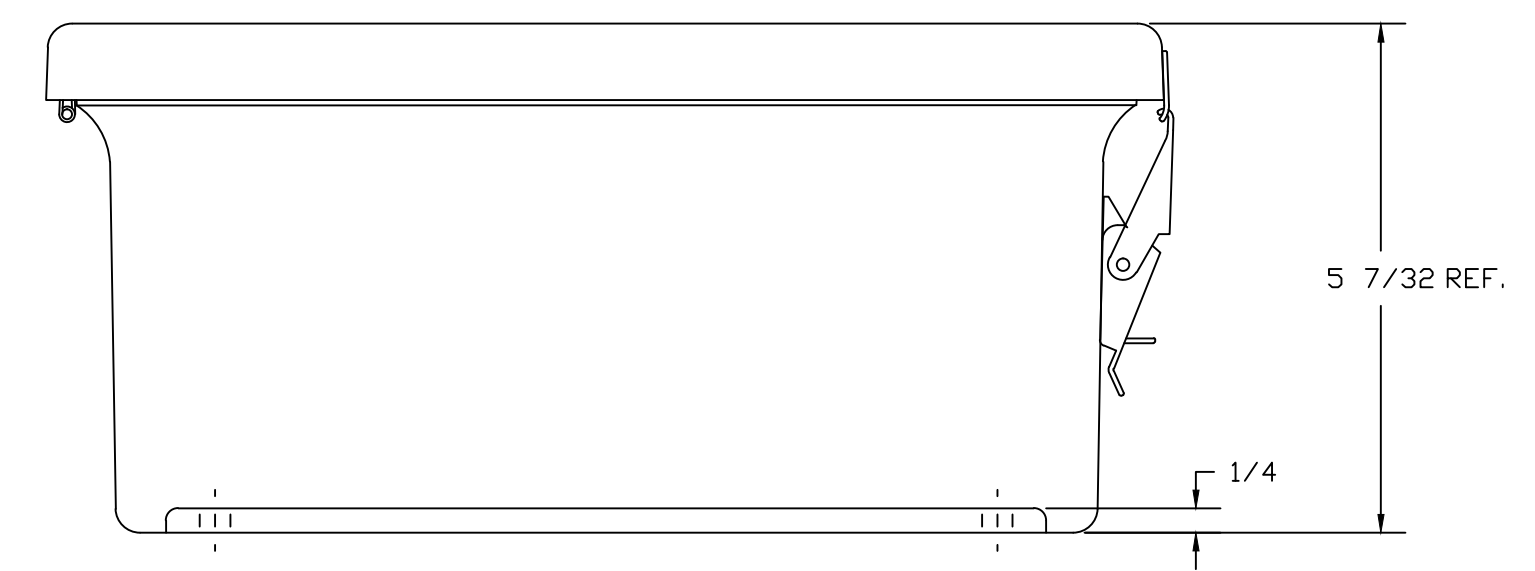



SECTION B-B



SECTION A-A

NEMA 4X										TOLERANCES UNLESS SPECIFIED		DECIMAL ±.010	FRACTIONAL ± 1/32
COLOR: GLACIER GRAY RR1013													
MATERIAL: F.R. POLYESTER FIBERGLASS										DR. BY SH	DATE 8/15/91	 BELDING, MICHIGAN 48809	
REVISION RECORD										CHK. BY	DATE		
LET.	DATE	BY	CHD.	APD. BY	DATE	CUSTOMER		AutoCAD DWG. FILE					
										SCALE DO NOT SCALE		PART NAME ENCLOSURE	PART NO. JW1210HPL