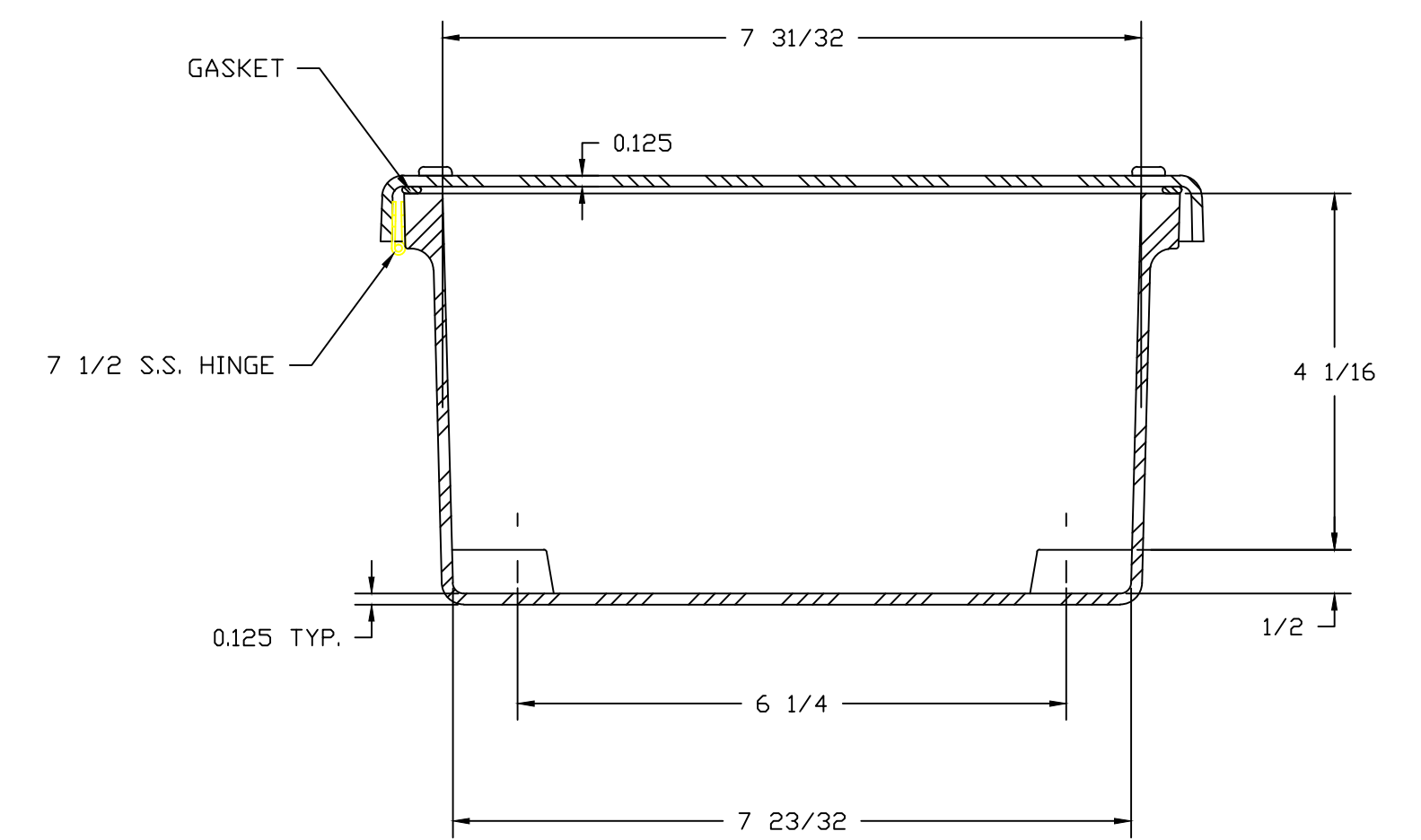
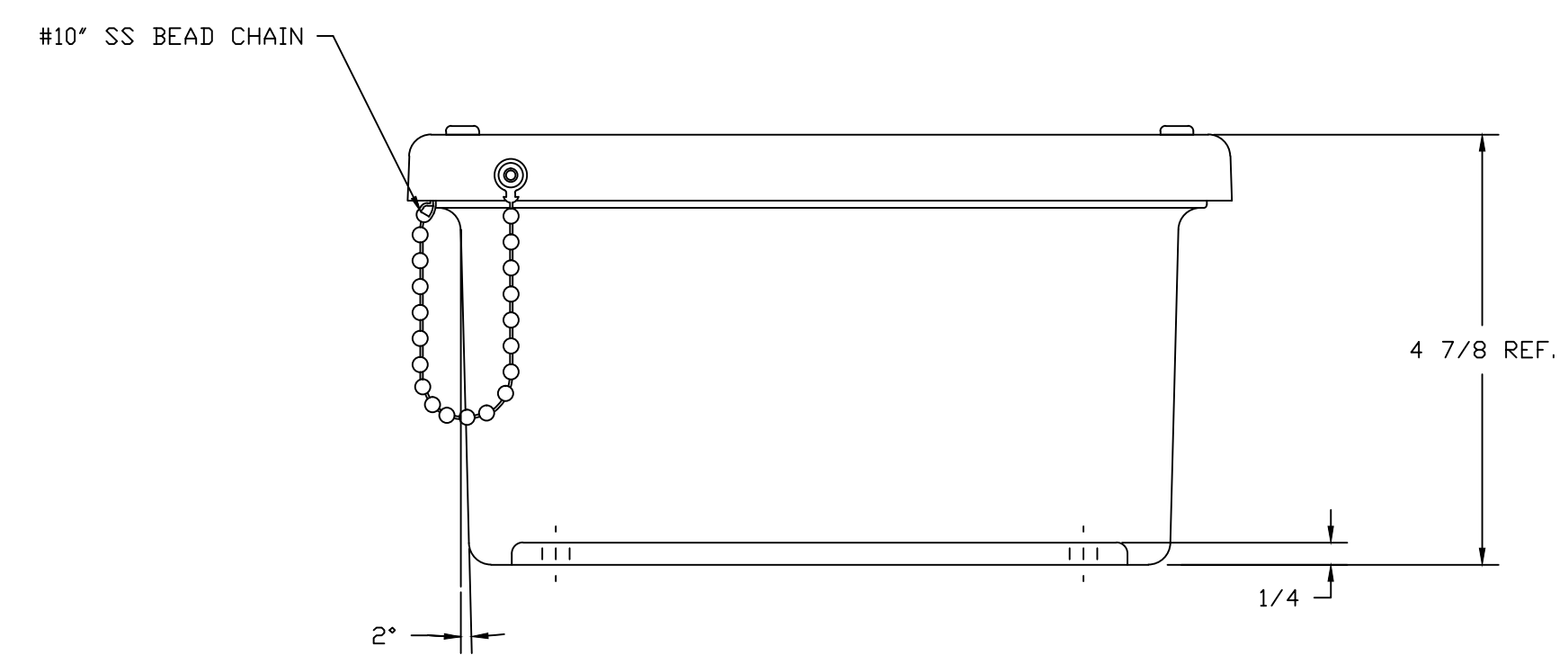


SECTION B-B



SECTION A-A

NOTES:

COLOR: GLACIER GRAY RR1013				TOLERANCES UNLESS SPECIFIED		DECIMAL $\pm .010$	FRACTIONAL $\pm 1/32$
NEMA 1, 3R, 4X, 6P, 12				DR. BY	DATE	STAHLIN ENCLOSURES	
MATERIAL				ZJB	3/2/04	DIVISION OF ROBOBY INDUSTRIES	
F.R. POLYESTER FIBERGLASS				CHK. BY	DATE	BELDING, MICHIGAN 48809	
LET.	REVISION RECORD	DATE	BY	CHD.	APD. BY	DATE	CUSTOMER
							AutoCAD DWG. FILE JB08W
SCALE				PART NAME		PART NO.	
DO NOT SCALE				ENCLOSURE		JB08W	