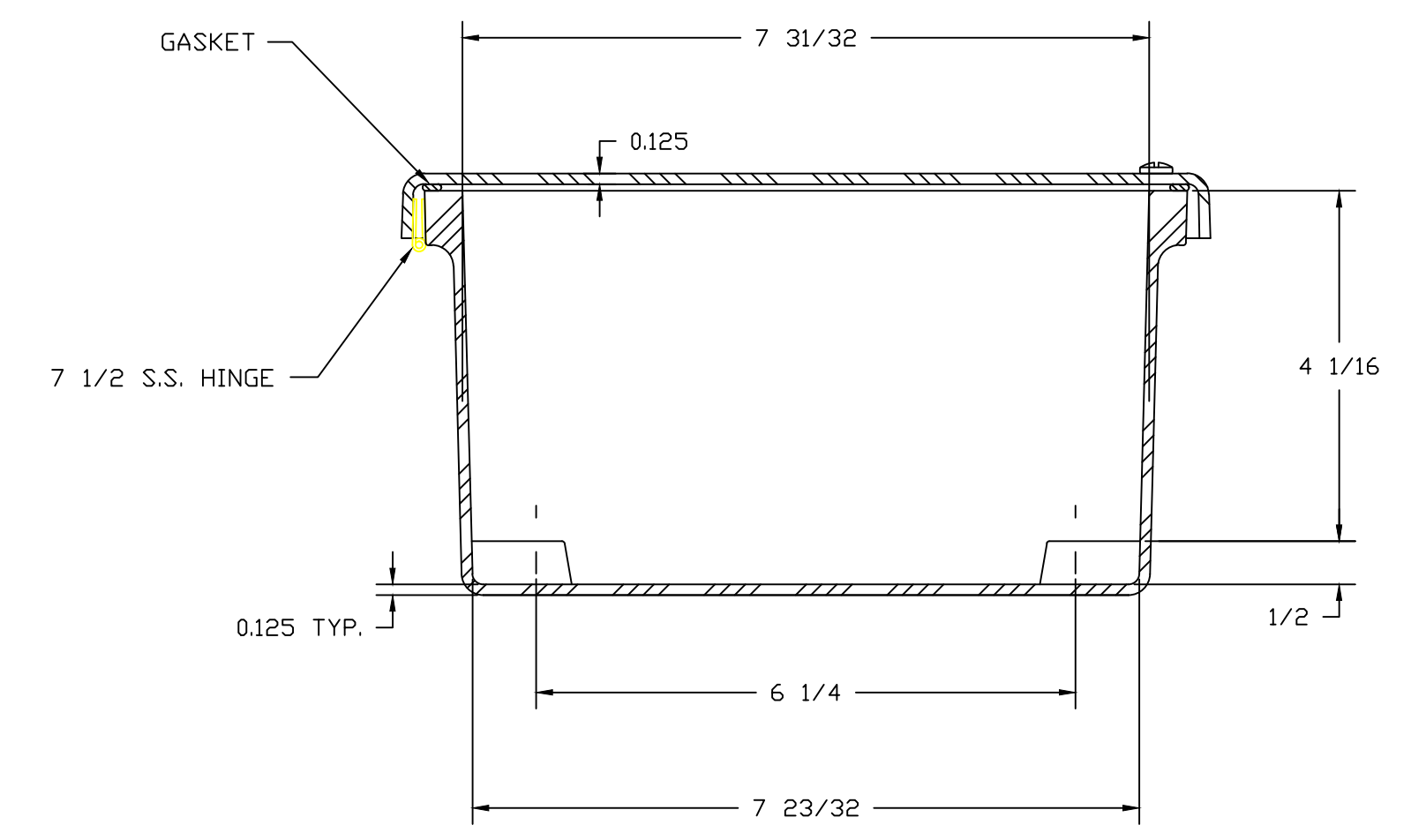
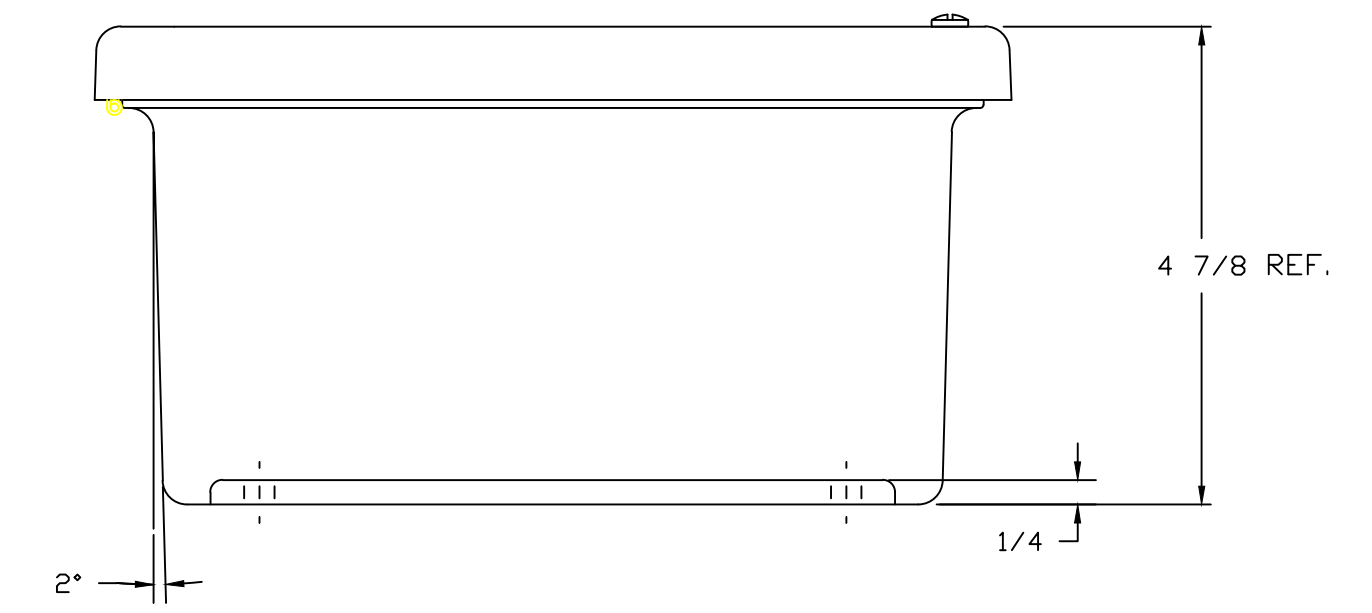



SECTION B-B



SECTION A-A

NOTES:

COLOR: GLACIER GRAY RR1013				TOLERANCES UNLESS SPECIFIED		DECIMAL ± .010	FRACTIONAL ± 1/32
NEMA 1, 3R, 4X, 6P, 12							
MATERIAL		DR. BY	DATE	 BELDING, MICHIGAN 48809 DIVISION OF ROBROY INDUSTRIES			
F.R. POLYESTER FIBERGLASS		ZJB	3/2/04				
LET.	REVISION RECORD	DATE	BY	CHD.	CHK. BY	DATE	
					APD. BY	DATE	CUSTOMER
					SCALE	PART NAME	PART NO.
					DO NOT SCALE	ENCLOSURE	J808HW

AutoCAD DWG. FILE: J808HW