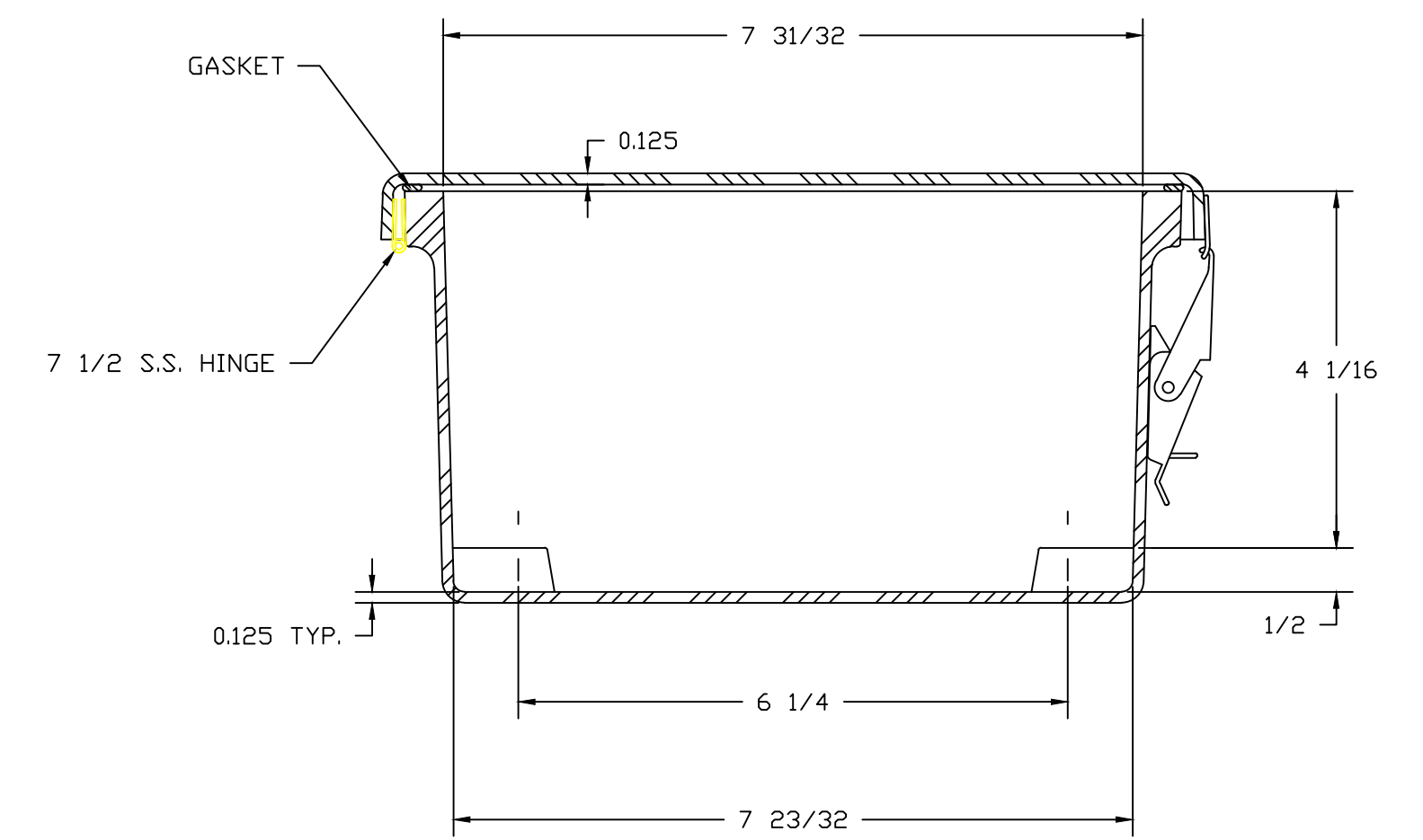
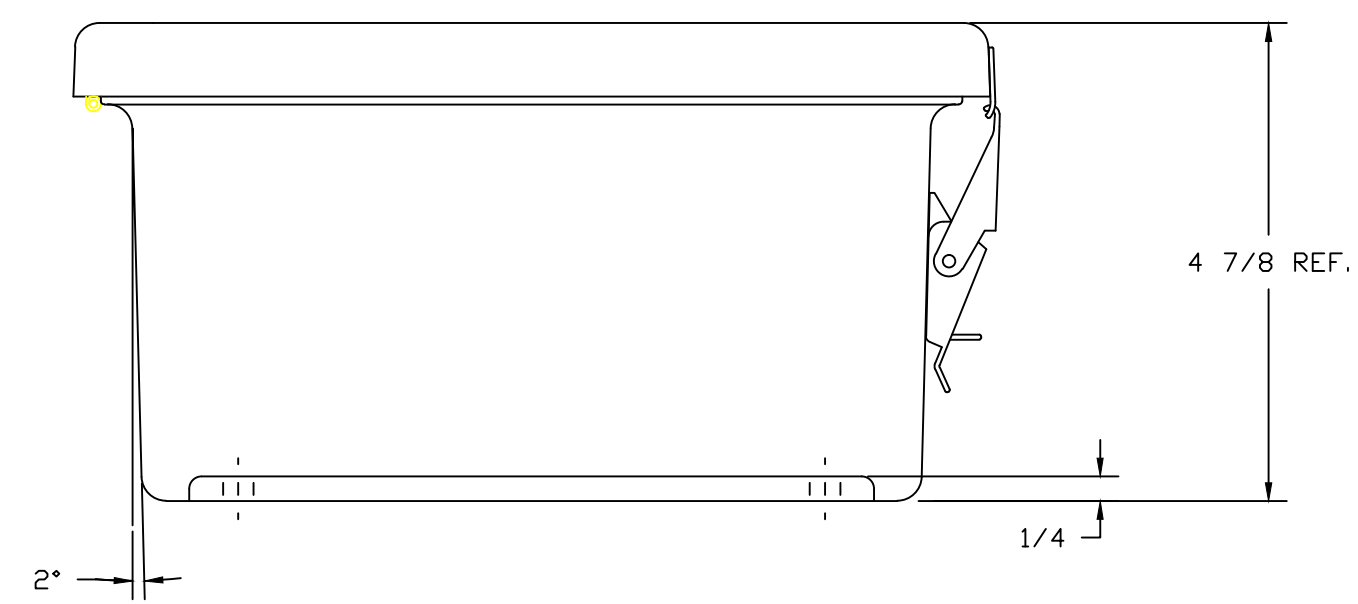


SECTION B-B



SECTION A-A

NOTES:

COLOR: GLACIER GRAY RR1013		TOLERANCES UNLESS SPECIFIED		DECIMAL ± .010	FRACTIONAL ± 1/32
NEMA 1, 3R, 4X, 6P, 12					
MATERIAL	F.R. POLYESTER FIBERGLASS	DR. BY	DATE	STAHLIN ENCLOSURES	
		ZJB	3/2/04	DIVISION OF ROBROY INDUSTRIES	
LET.	REVISION RECORD	DATE	BY	CHD.	BELDING, MICHIGAN 48809
					AutoCAD DWG. FILE J808HPL
		APD. BY	DATE	CUSTOMER	
		SCALE	PART NAME		PART NO.
		DO NOT SCALE	ENCLOSURE		J808HPL