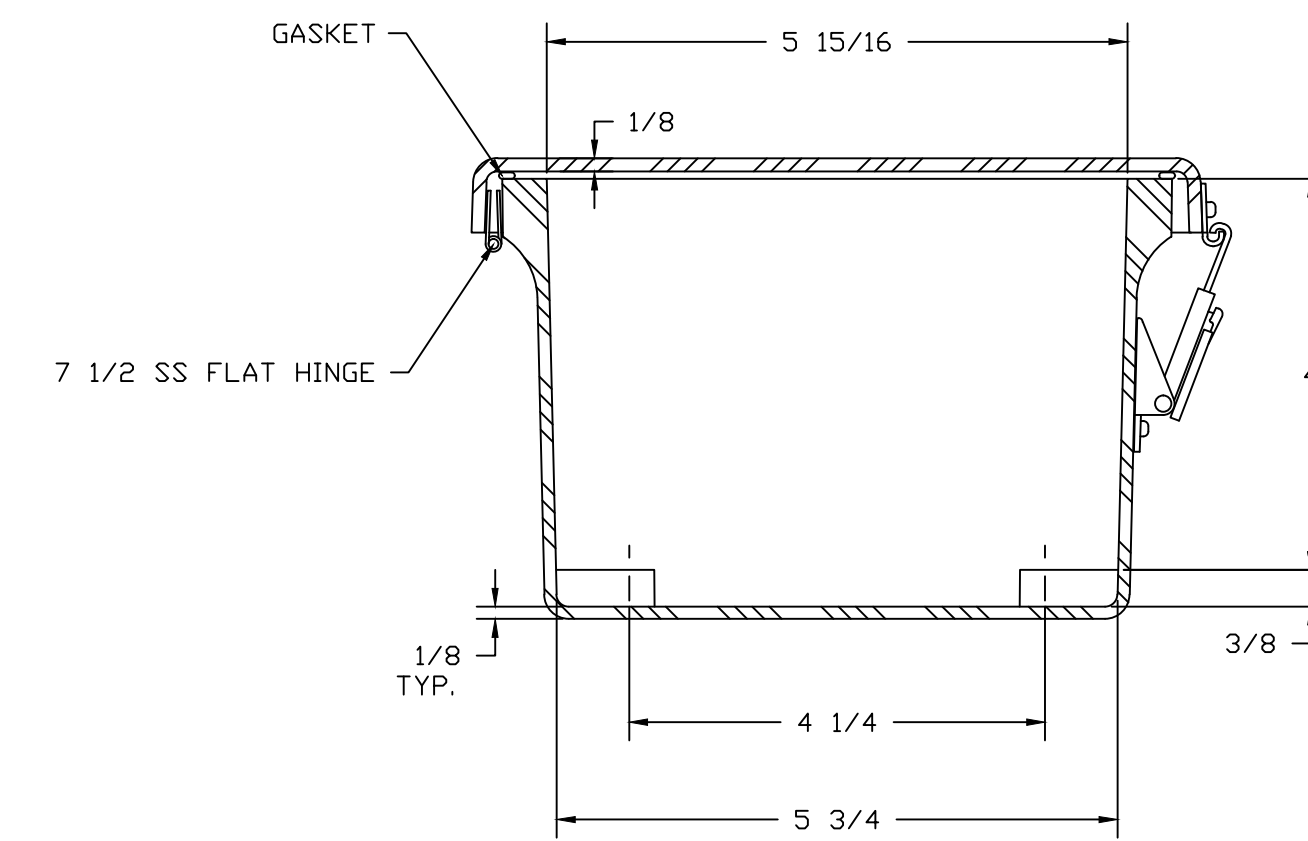
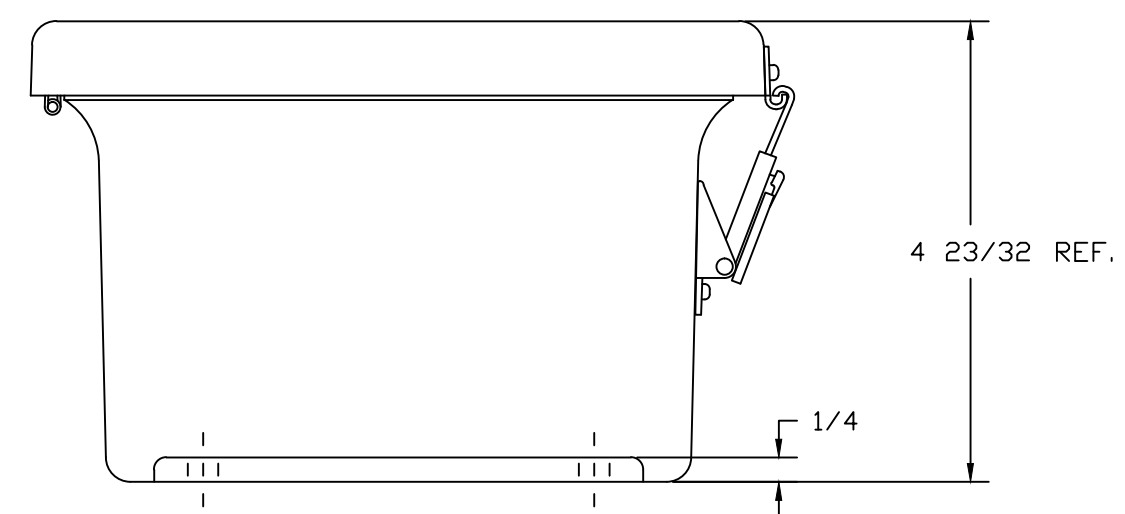



SECTION B-B



SECTION A-A

NOTES:										
NEMA 4X					TOLERANCES UNLESS SPECIFIED		DECIMAL ± .010	FRACTIONAL ± 1/32		
COLOR GLACIER GRAY RR1013										
MATERIAL F.R. POLYESTER FIBERGLASS					DR. BY SH	DATE 6/25/91	 BELDING, MICHIGAN 48809		AutoCAD DWG. FILE	
LET.	REVISION RECORD	DATE	BY	CHD.	CHK. BY	DATE			CUSTOMER	
					APD. BY	DATE	SCALE		PART NAME ENCLOSURE	PART NO. J806HLL
							DO NOT SCALE			