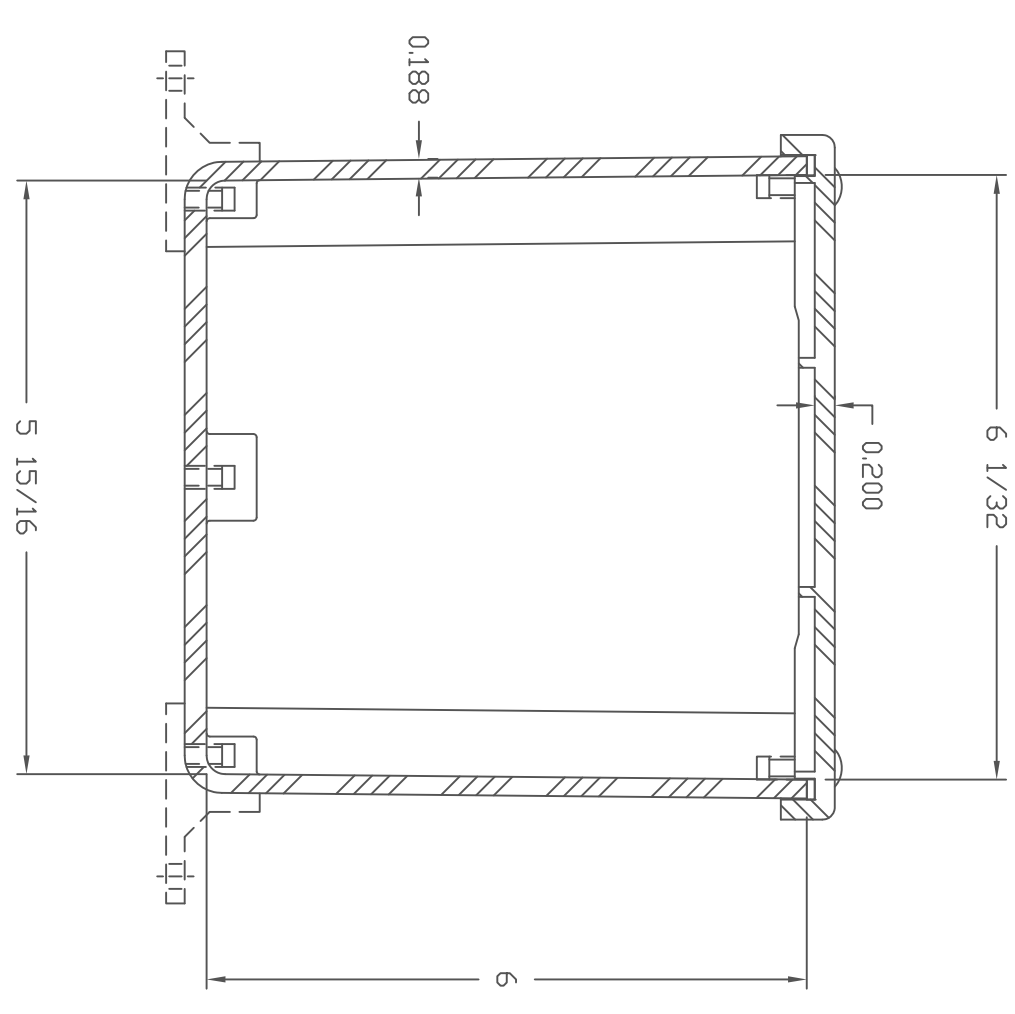
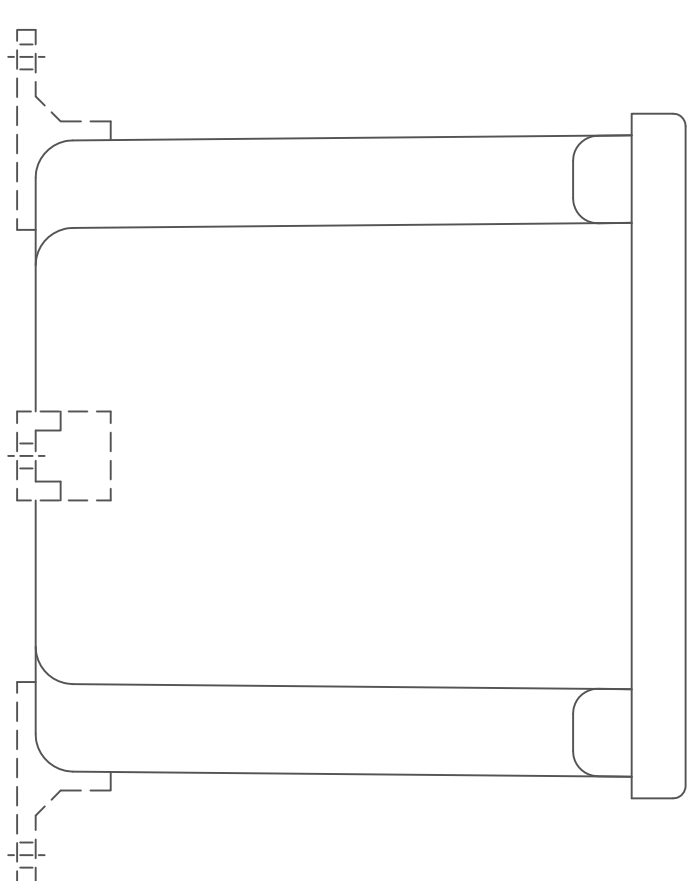


SECTION B-B



SECTION A-A

NOTES:

MATERIAL		PVC		COLOR: GRAY		TOLERANCES UNLESS SPECIFIED		DECIMAL ± .010	FRACTIONAL ± 1/32
LET.	REVISION RECORD	DATE	BY	CHKD.	DATE	DR. BY	DATE	STAHLIN ENCLOSURES	
						GF	7/23/93	BUILDING MICHIGAN	
						CHK. BY	DATE	48909	
						APD. BY	DATE	J666PVC	
						SCALE	DO NOT SCALE	PART NAME	ENCLOSURE
								PART NO.	J666PVC