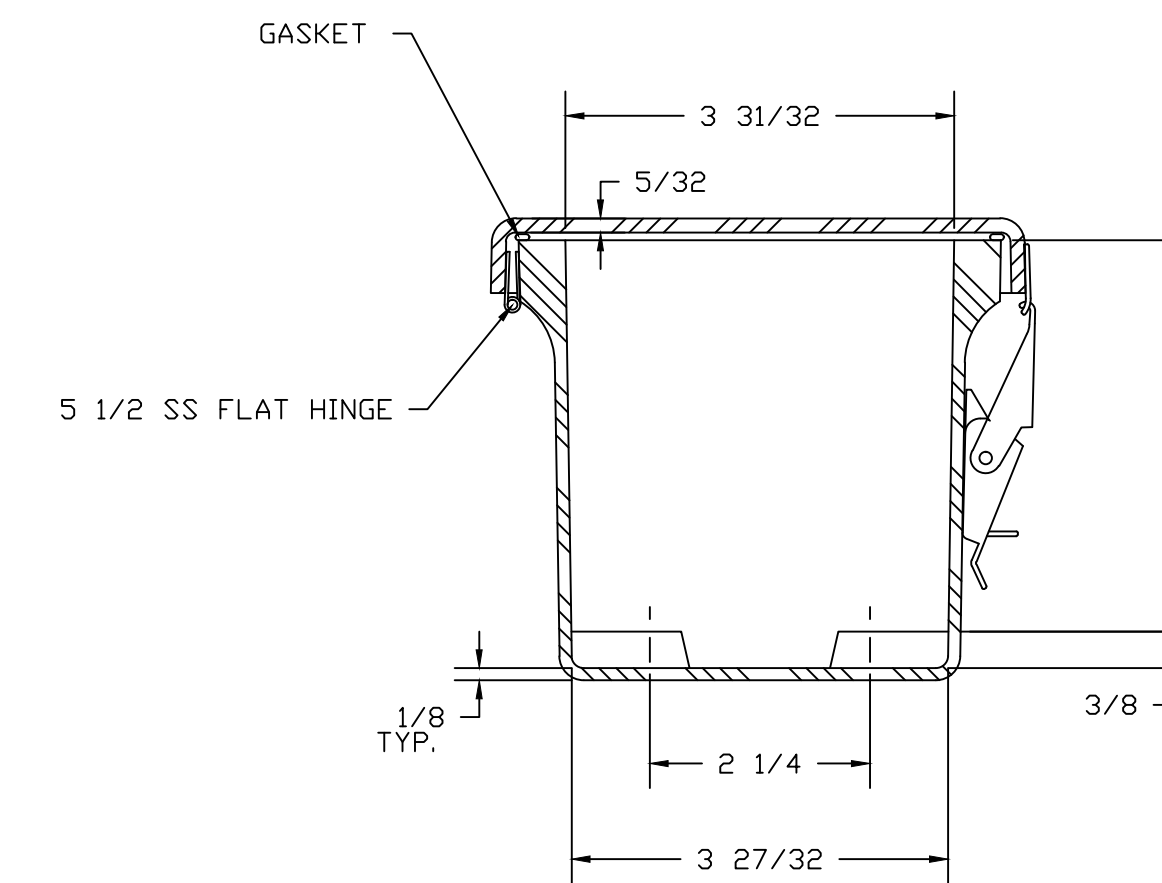
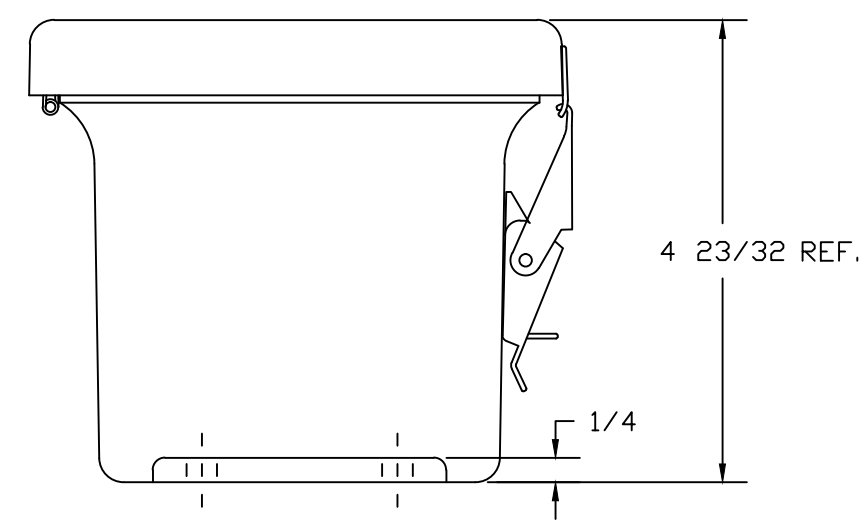



SECTION B-B



SECTION A-A

NOTES:

NEMA 4X		TOLERANCES UNLESS SPECIFIED		DECIMAL ± .010	FRACTIONAL ± 1/32	
COLOR GLACIER GRAY RR1013						
MATERIAL	F.R. POLYESTER FIBERGLASS	DR. BY SH	DATE 6/5/91	 BELDING, MICHIGAN 48809 AutoCAD DWG. FILE J604HPL		
LET.	REVISION RECORD	DATE	BY			CHK. BY
				APD. BY	DATE	CUSTOMER
				SCALE DO NOT SCALE	PART NAME ENCLOSURE	PART NO. J604HPL