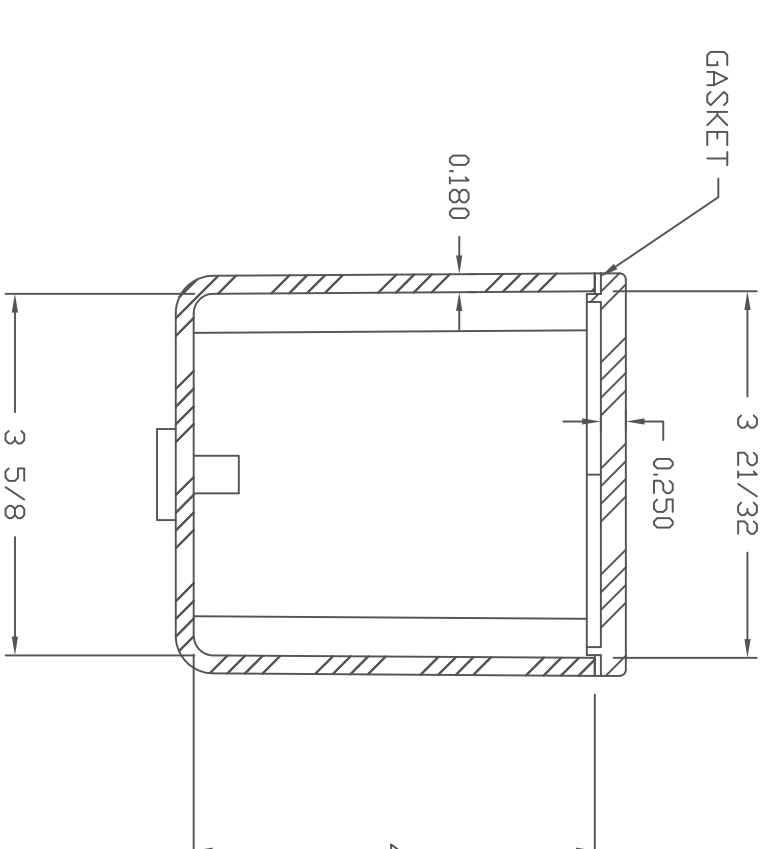
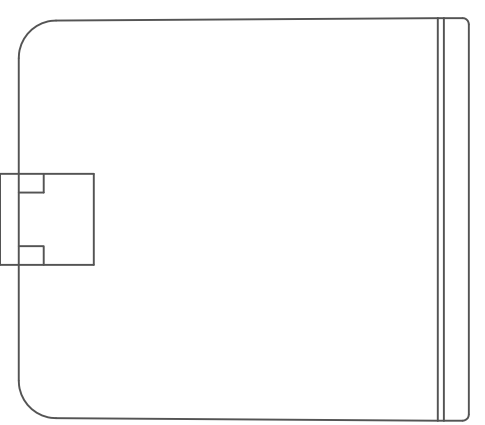


TOP VIEW
WITHOUT COVER

BACK VIEW
WITHOUT MOUNTING TABS

SECTION A-A



SECTION B-B

NOTES:

COLOR GRAY				TOLERANCES UNLESS SPECIFIED			
				DECIMAL	FRACTIONAL		
				± .010	± 1/32		
MATERIAL	PVC	DR. BY	GF	DATE	3/22/00		
LET.	REVISION RECORD	CHK. BY	CHD	DATE			
		BY	BY	DATE			
		APD. BY	DATE				
		SCALE	DO NOT SCALE				
PART NAME ENCLOSURE				PART NO. J444PVC			



BEIJING MICHIGAN 48909

Autocad DWG FILE