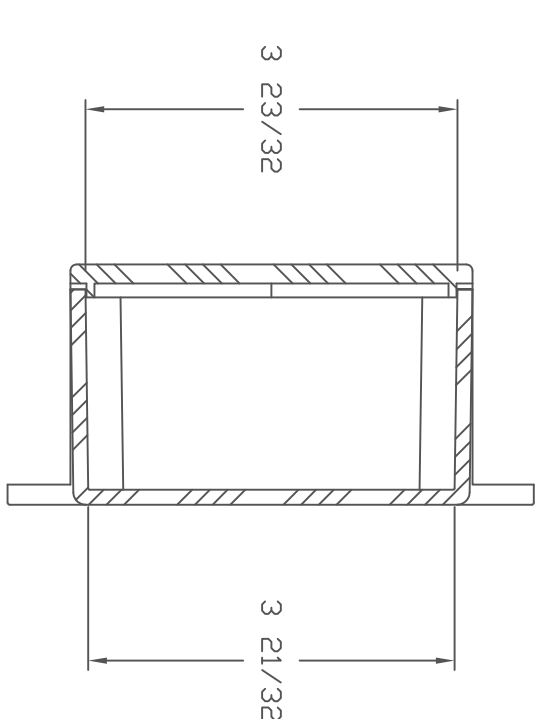
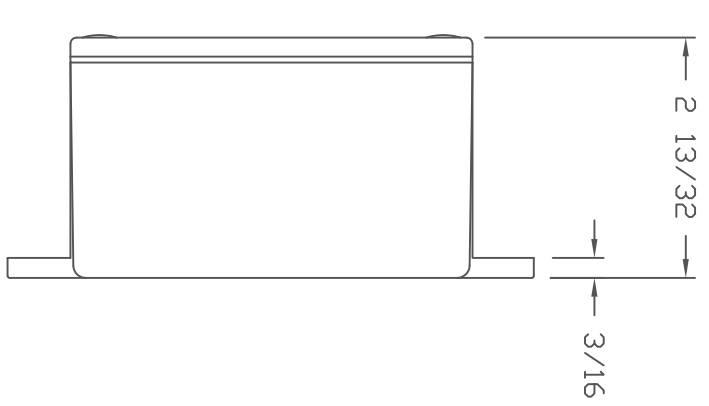
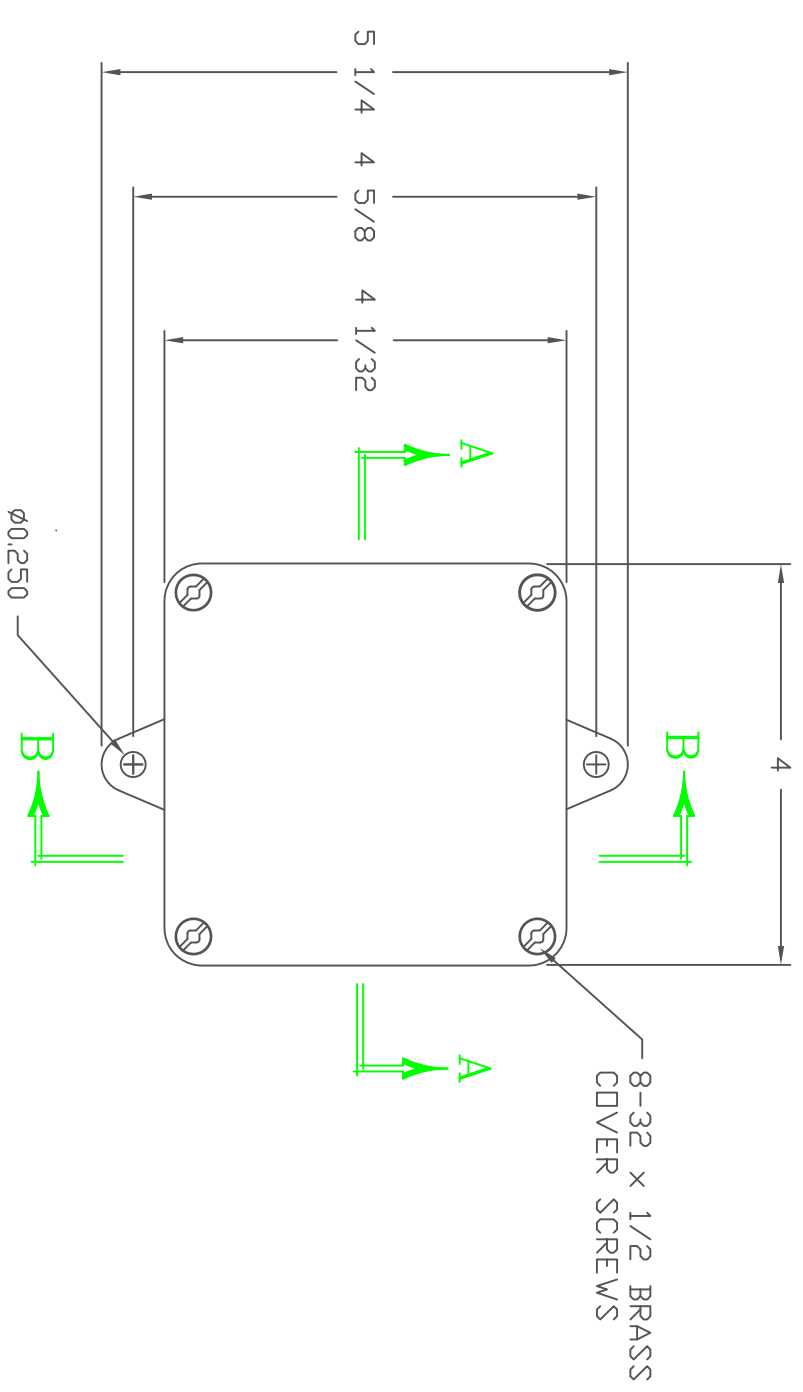
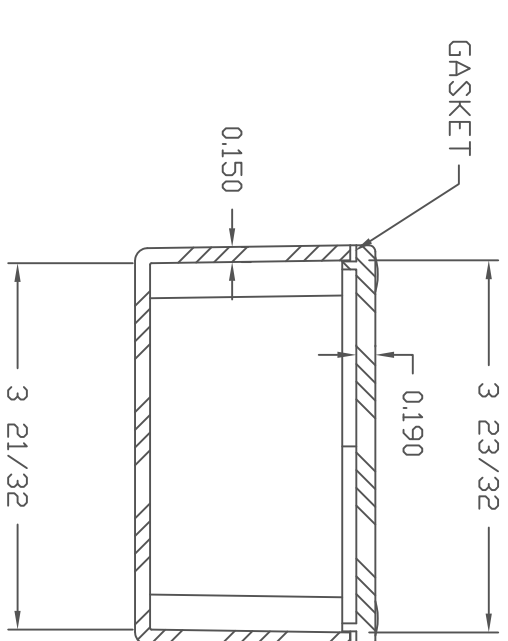


TOP VIEW  
WITHOUT COVER



SECTION A-A



SECTION B-B

NOTES

|            |                 |         |              |                             |                              |  |  |
|------------|-----------------|---------|--------------|-----------------------------|------------------------------|--|--|
| COLOR GRAY |                 |         |              | TOLERANCES UNLESS SPECIFIED |                              |  |  |
|            |                 |         |              | DECIMAL                     | FRACTIONAL                   |  |  |
|            |                 |         |              | ± .010                      | ± 1/32                       |  |  |
| MATERIAL   | PVC             | DR. BY  | DATE         | UNLESS SPECIFIED            |                              |  |  |
| LET.       | REVISION RECORD | GF      | 3/22/00      | UNLESS SPECIFIED            |                              |  |  |
|            |                 | CHK. BY | DATE         | UNLESS SPECIFIED            |                              |  |  |
|            |                 | APD. BY | DATE         | UNLESS SPECIFIED            |                              |  |  |
|            |                 | SCALE   | DO NOT SCALE | UNLESS SPECIFIED            |                              |  |  |
|            |                 |         |              | PART NAME                   | ENCLOSURE                    |  |  |
|            |                 |         |              | PART NO.                    | J442PVC                      |  |  |
|            |                 |         |              | CUSTOMER                    | STAHLIN ENCLDSURES           |  |  |
|            |                 |         |              |                             | DIVISION OF STAHLIN BUSINESS |  |  |
|            |                 |         |              |                             | BELDING MICHIGAN             |  |  |
|            |                 |         |              |                             | 48909                        |  |  |
|            |                 |         |              |                             | Autocad DWG FILE             |  |  |