
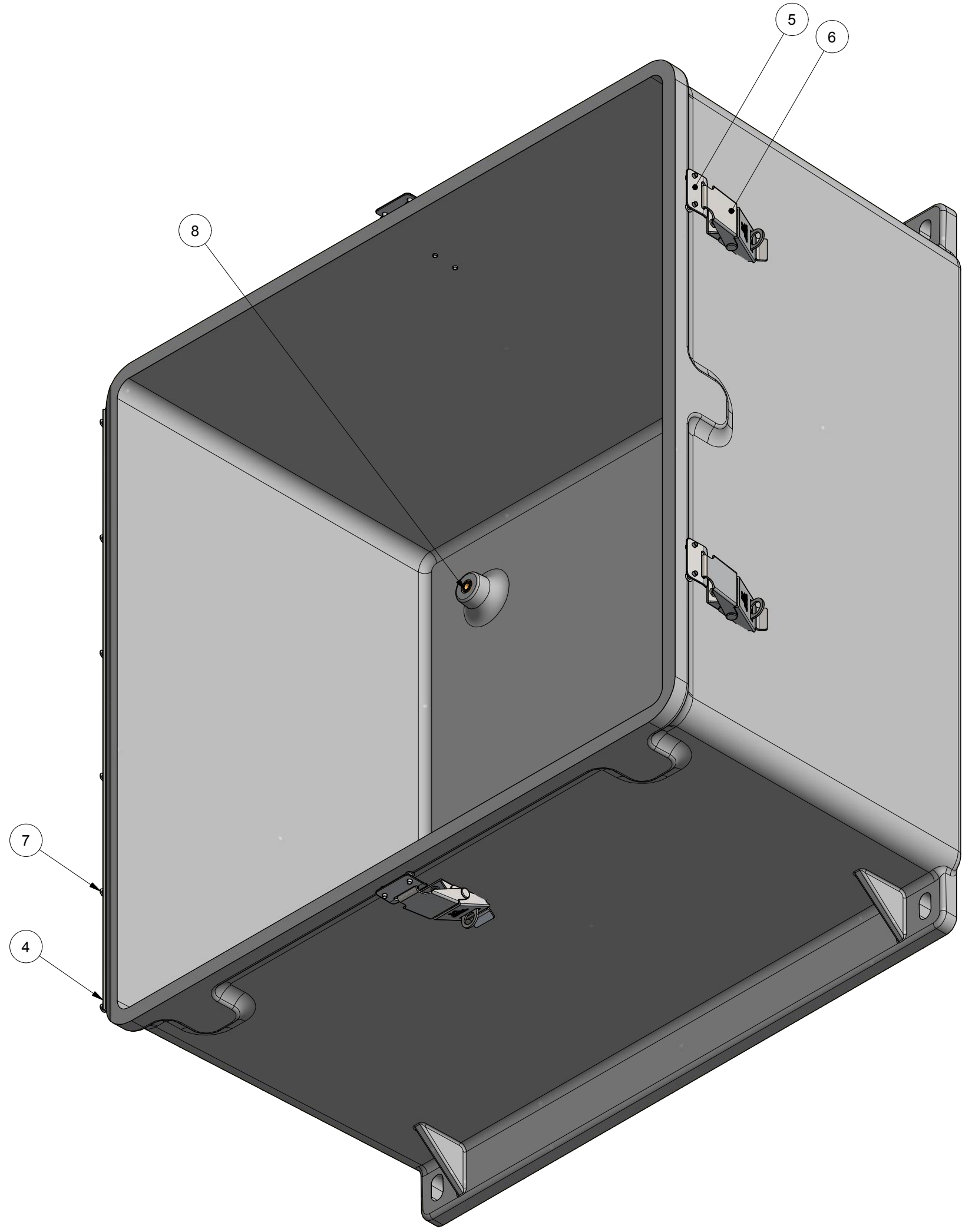
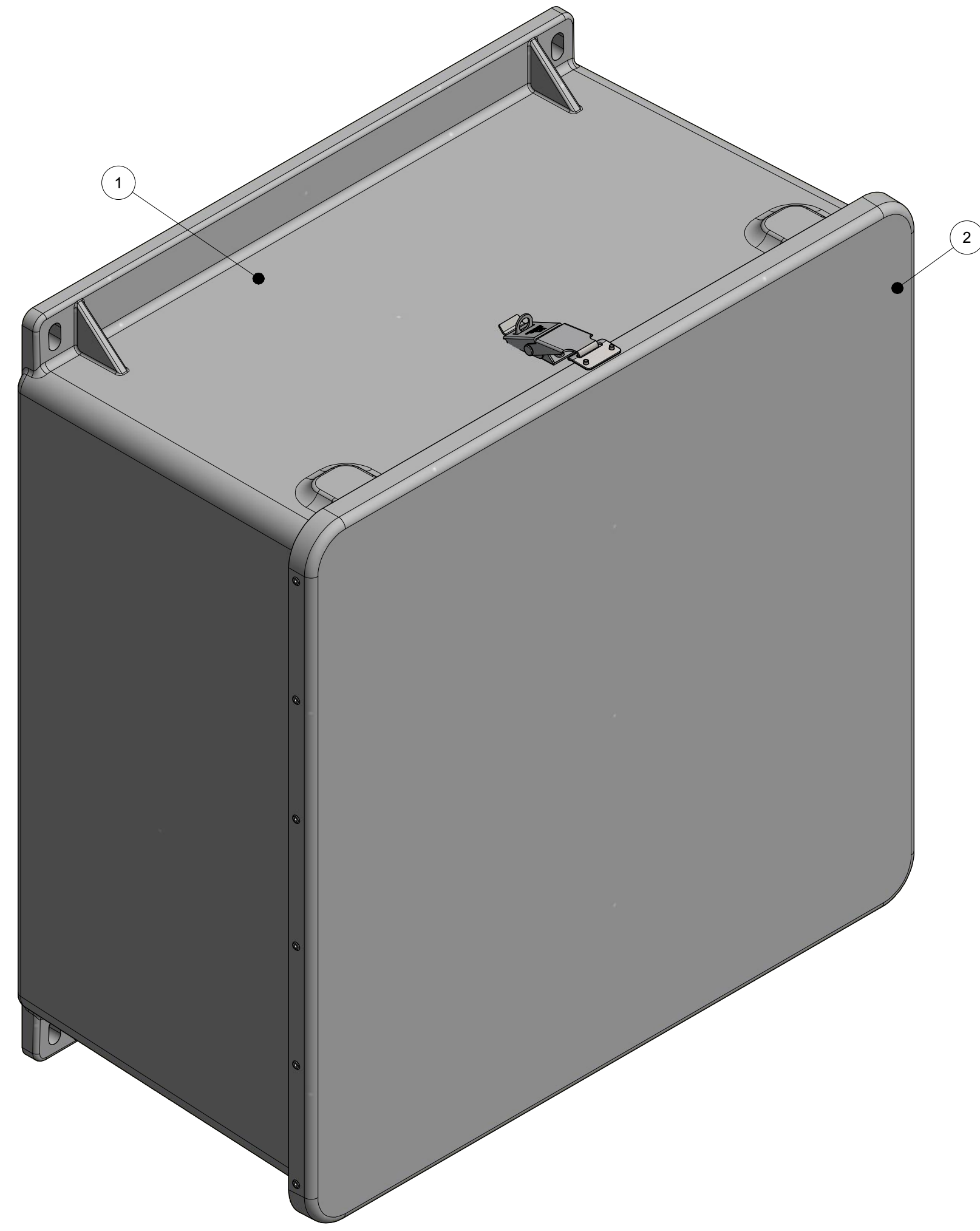


THIS DRAWING AND THE INFORMATION
HEREON ARE OUR PROPERTY AND MAY
BE USED BY OTHERS ONLY AS
AUTHORIZED BY STAHLIN ENCLOSURES,
DIVISION OF ROBROY INDUSTRIES
ALL RIGHTS RESERVED
UNDER THE COPYRIGHT LAWS

SPECIAL REQUIREMENTS

NEMA 250: TYPE 1, 3, 3R, 4, 4X, 12, 13 IEC 60529: IP66 COLOR: GLACIER GRAY (WPR3013) COLOR STANDARD: PANTONE 428 C		STANDARD P/N: J2020HPL	ALL DIMENSIONS ARE IN INCHES UNLESS OTHERWISE SPECIFIED	TOLERANCES UNLESS SPECIFIED	.XX ± 0.03	.XXX ± 0.010			
MATERIAL: FIBERGLASS REINFORCED POLYESTER (FRP)		CUSTOMER DWG:	 STAHLIN A DIVISION OF ROBROY INDUSTRIES <i>Stahlin Non-Metallic Enclosures</i> 500 Maple Street Belding, Michigan 48809 Phone: 616-794-0700 Fax: 616-749-3378						
REVISION HISTORY		DRW					DATE	CUSTOMER	DWG
REV	DESCRIPTION	DATE					ENG		
-	-	-					-		
-	-	-					-		
DO NOT SCALE		SCALE	DESCRIPTION	PART NUMBER					
		DO NOT SCALE	STANDARD ENCLOSURE	FEJ2020HPL					



PARTS LIST			
ITEM	QTY	PART NUMBER	DESCRIPTION
1	1	WP2020H&LBOX	J2020 MOLDED H&L BOX
2	1	WP2020H&LCVR	J2020 MOLDED H&L CVR
3	1	RMGAS_WP2020H&LCVR	WP2020HLU GASKET
4	1	RMHING19-1/2	19.5" HINGE
5	4	RMKEEPSSL	HPL KEEPER
6	4	RMLATSSL	HPL LATCH
7	28	RMRIV44	RIVET
8	4	RMINSOD700154500	1/4-20 x 5/16 DODGE EXPANSION INSERT
9	1	N/A	J2020HPL LABEL

THIS DRAWING AND THE INFORMATION HEREON ARE OUR PROPERTY AND MAY BE USED BY OTHERS ONLY AS AUTHORIZED BY STAHLIN ENCLOSURES, DIVISION OF ROBOBY INDUSTRIES. ALL RIGHTS RESERVED UNDER THE COPYRIGHT LAWS.

SPECIAL REQUIREMENTS

NEMA 250: TYPE 1, 3, 3R, 4, 4X, 12, 13
 IEC 60529: IP66
 COLOR: GLACIER GRAY (WPR3013)
 COLOR STANDARD: PANTONE 428 C

STANDARD P/N: J2020HPL
 CUSTOMER DWG:

ALL DIMENSIONS ARE IN INCHES UNLESS OTHERWISE SPECIFIED
 TOLERANCES UNLESS SPECIFIED .XX .XXX
 ± 0.03 ± 0.010

MATERIAL: FIBERGLASS REINFORCED POLYESTER (FRP)

STAHLIN
 A DIVISION OF ROBOBY INDUSTRIES
 Stahlin Non-Metallic Enclosures
 500 Maple Street
 Belding, Michigan 48809
 Phone: 616-794-0700
 Fax: 616-749-3378

DRAWN BY	DRH	DATE	12/03/13	CUSTOMER		DWG	J2020HPL
SCALE	DO NOT SCALE	DESCRIPTION	STANDARD ENCLOSURE	PART NUMBER	FEJ2020HPL		