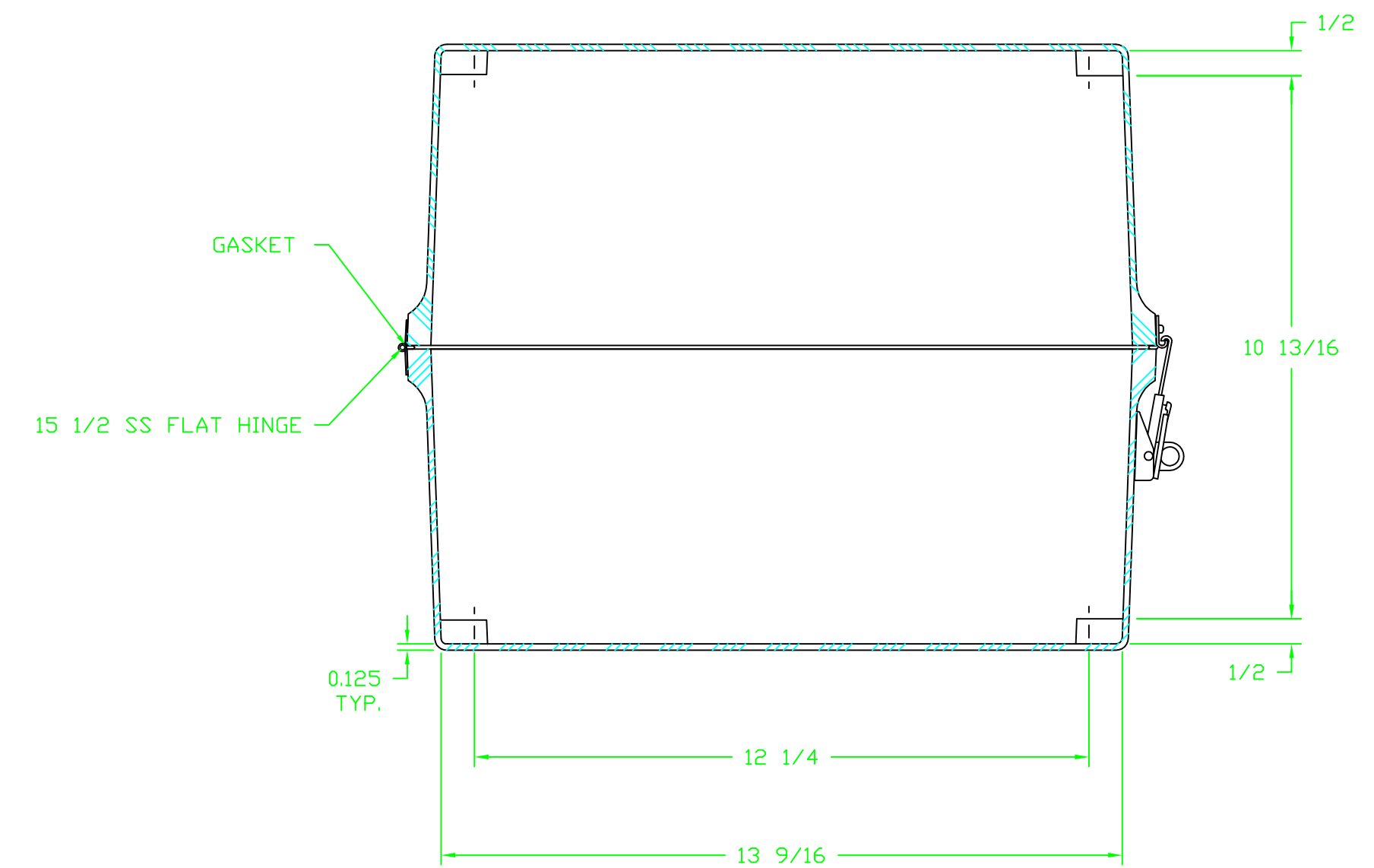
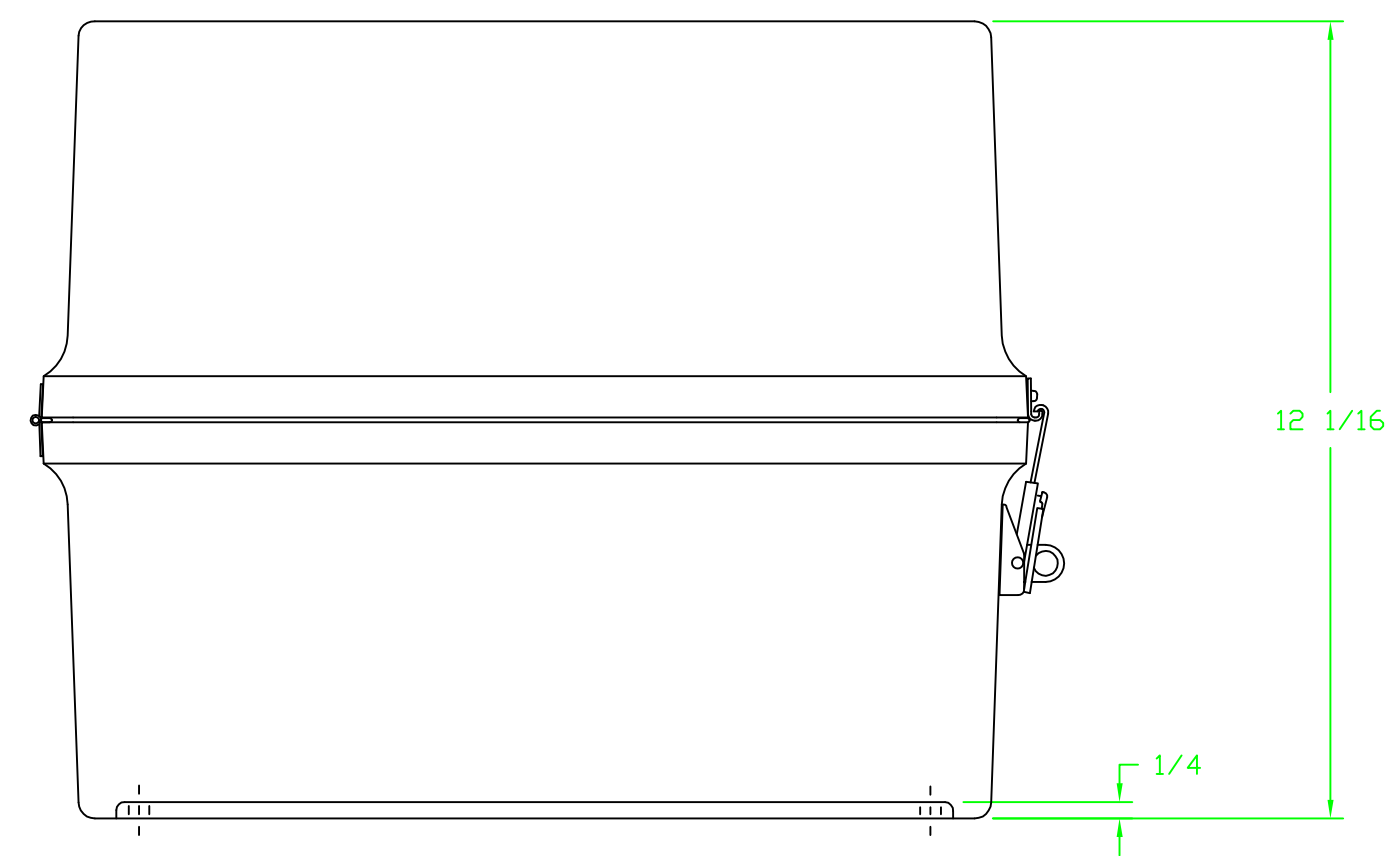


SECTION B-B



SECTION A-A

NOTES:

NEMA 4X		TOLERANCES UNLESS SPECIFIED		DECIMAL ±.010	FRACTIONAL ± 1/32
COLOR: GLACIER GRAY RR1013					
MATERIAL F.R. POLYESTER FIBERGLASS		DR. BY GF	DATE 6/21/91		
LET.	REVISION RECORD	DATE	BY		
					BELDING, MICHIGAN 48809 AutoCAD DWG FILE J161412SSH
					CUSTOMER
					SCALE DO NOT SCALE
					PART NAME ENCLOSURE
					PART NO. J161412SSH