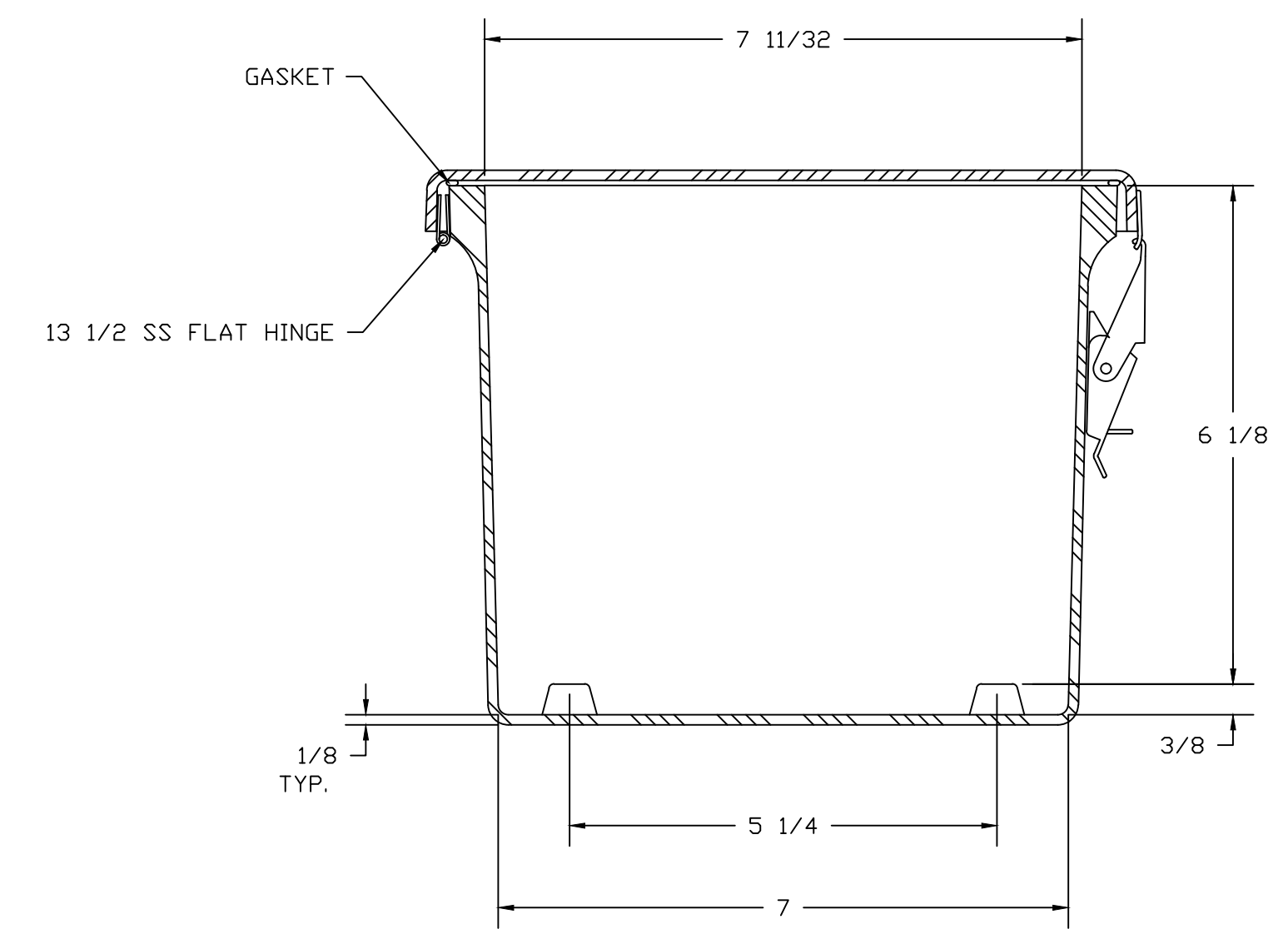
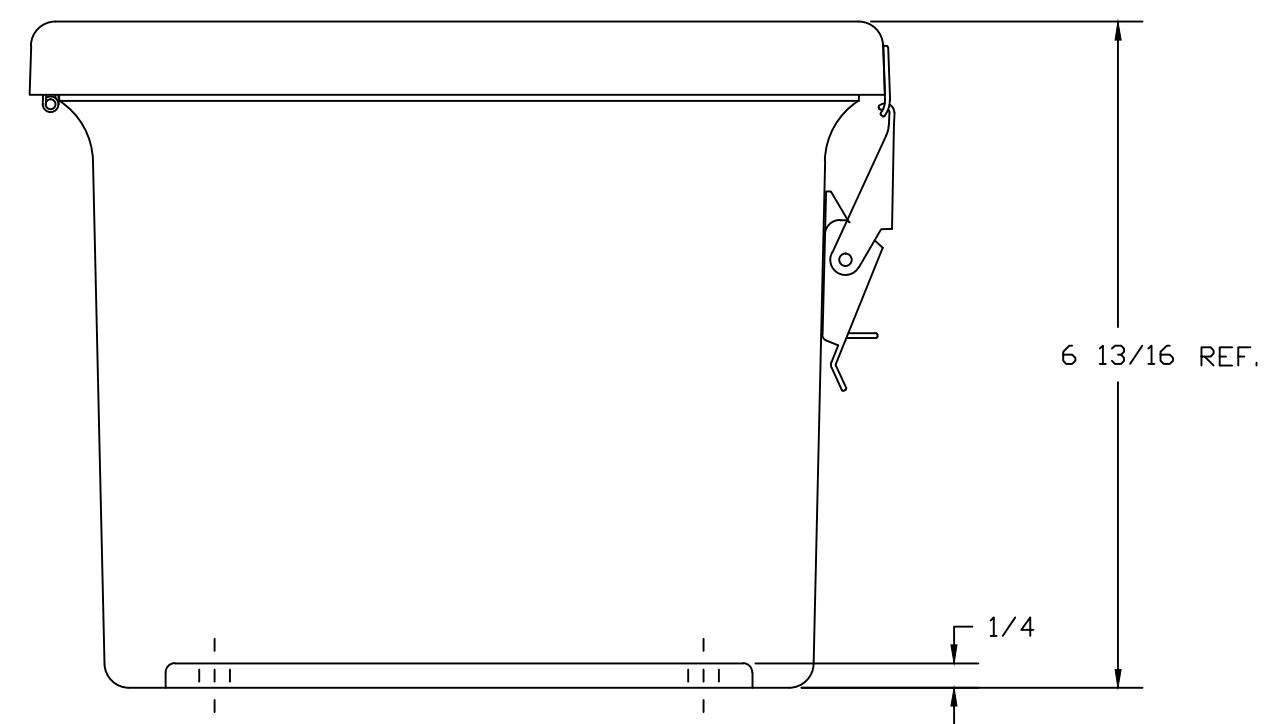



SECTION B-B



SECTION A-A

NOTES:

MODIFIED J1407HPL WITH PHONE WINDOW COLOR: GRAY (RR1001)						TOLERANCES UNLESS SPECIFIED		DECIMAL ±.010	FRACTIONAL ± 1/32
MATERIAL F.R. POLYESTER FIBERGLASS				DR. BY GF	DATE 4/23/98	 <b>STAHLIN ENCLOSURES</b> DIVISION OF ROBROY INDUSTRIES			
LET.	REVISION RECORD	DATE	BY	CHD.	CHK. BY				
					APD. BY	DATE	CUSTOMER		AutoCAD DWG. FILE
					SCALE DO NOT SCALE		PART NAME ENCLOSURE	PART NO. J1407TC	J1407TC

BELDING, MICHIGAN 48809

J1407TC