
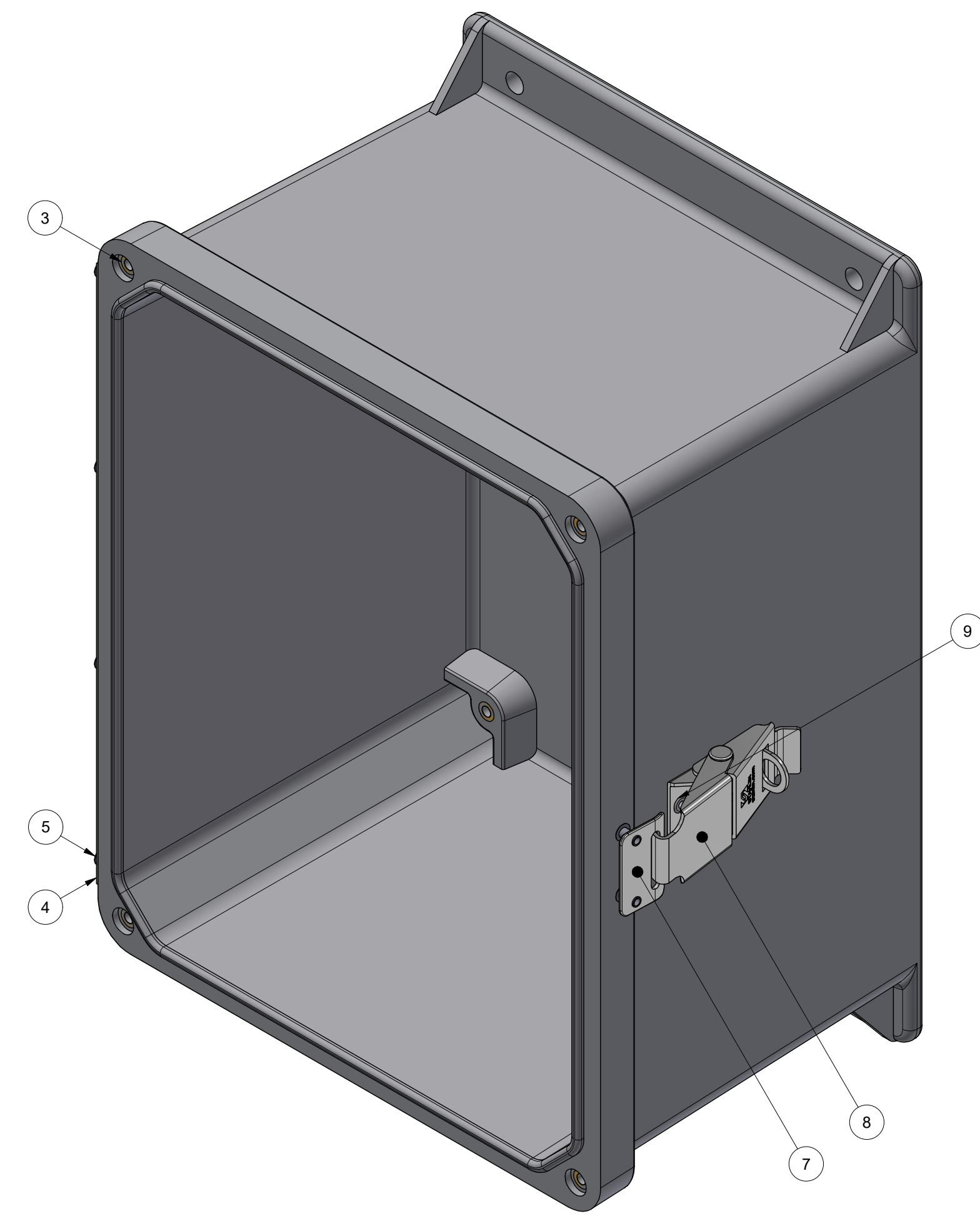
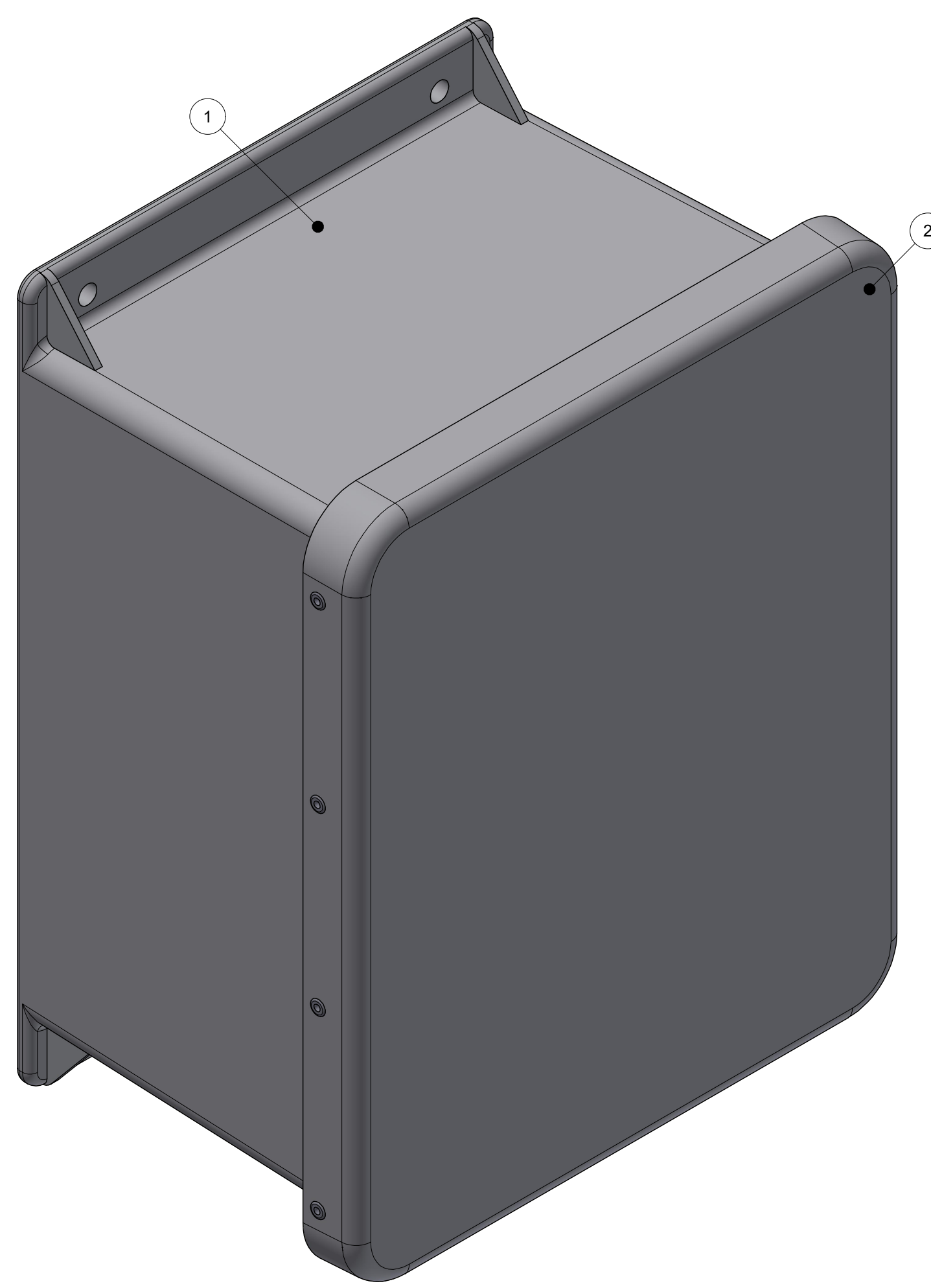


THIS DRAWING IS THE SOLE AND EXCLUSIVE PROPERTY OF ROBROY ENCLOSURES. NO PART OF THIS DRAWING MAY BE REPRODUCED, DISTRIBUTED, OR PUBLICALLY DISPLAYED IN ANY FORM OR BY ANY MEANS WITHOUT THE EXPRESS WRITTEN PERMISSION OF ROBROY ENCLOSURES. ALL RIGHTS RESERVED. UNDER THE COPYRIGHT LAWS. COPYRIGHT © ROBROY ENCLOSURES

**SPECIAL REQUIREMENTS**

NEMA 250: TYPE 1, 3, 3R, 4X, 12, 13 IEC 60529: IP66 COLOR: GLACIER GRAY (WPR3X13) COLOR STANDARD: PANTONE 428 C		STANDARD P/N: J100806HPL	ALL DIMENSIONS ARE IN INCHES UNLESS OTHERWISE SPECIFIED	TOLERANCES UNLESS SPECIFIED	.XX ± 0.03 .XXX ± 0.010		
MATERIAL: FIBERGLASS REINFORCED POLYESTER (FRP)		CUSTOMER DWG:	 <b>STAHLIN</b> A DIVISION OF ROBROY INDUSTRIES <b>Robroy Enclosures</b> 500 Maple Street Belding, Michigan 48809 Phone: 616-794-0700 Fax: 616-749-3378				
REVISION HISTORY		DRAWN BY				DATE	CUSTOMER
REV	DESCRIPTION	DATE				ENG	
-	-	-				-	-
DO NOT SCALE		SCALE	DESCRIPTION	PART NUMBER	DWG		
		DO NOT SCALE	STANDARD ENCLOSURE	FEJ100806HPL	J100806HPL		




PARTS LIST			
ITEM	QTY	PART NUMBER	DESCRIPTION
1	1	WPJ100806H&LBOX	J100806 MOLDED H&L BOX
2	1	WPJ100806HLLU	J100806HPL GASKETED COVER
3	12	RMINS45821P	#10-32 BRASS INSERT
4	1	RMHING9-1/2	9.5" HINGE
5	12	RMRIV43	RIVET
6	1	RMLABSTAHLIN3X2	J100806HPL LABEL
7	1	RMKEEPSSL	HPL KEEPER
8	1	RMLATSSL	HPL LATCH
9	AR	RTV-732	SILICONE SEALANT

**NOTES:**  
 1. RTV 732 SILICONE SEALANT SHALL BE APPLIED UNDER ALL LATCHES AROUND LATCH HOLES AND TOP OF RIVET AFTER INSTALLATION

THIS DRAWING IS THE SOLE AND EXCLUSIVE PROPERTY OF ROBROY ENCLOSURES. NO PART OF THIS DRAWING MAY BE REPRODUCED, DISTRIBUTED, OR PUBLICALLY DISPLAYED IN ANY FORM OR BY ANY MEANS WITHOUT THE EXPRESS WRITTEN PERMISSION OF ROBROY ENCLOSURES. ALL RIGHTS RESERVED. UNDER THE COPYRIGHT LAWS. COPYRIGHT © ROBROY ENCLOSURES

**SPECIAL REQUIREMENTS**

NEMA 250: TYPE 1, 3, 3R, 4X, 12, 13 IEC 60529: IP66 COLOR: GLACIER GRAY (WPR313) COLOR STANDARD: PANTONE 428 C		STANDARD P/N: J100806HPL CUSTOMER DWG:	ALL DIMENSIONS ARE IN INCHES UNLESS OTHERWISE SPECIFIED	TOLERANCES UNLESS SPECIFIED .XX ± 0.03 .XXX ± 0.010		
MATERIAL: FIBERGLASS REINFORCED POLYESTER (FRP)		 <b>STAHLIN</b> A DIVISION OF ROBROY INDUSTRIES <i>Robroy Enclosures</i> 500 Maple Street Belding, Michigan 48809 Phone: 616-794-0700 Fax: 616-749-3378				
DRAWN BY: DRH	DATE: 01/11/16				CUSTOMER:	DWG: J100806HPL
SCALE: DO NOT SCALE	DESCRIPTION: STANDARD ENCLOSURE				PART NUMBER: FEJ100806HPL	