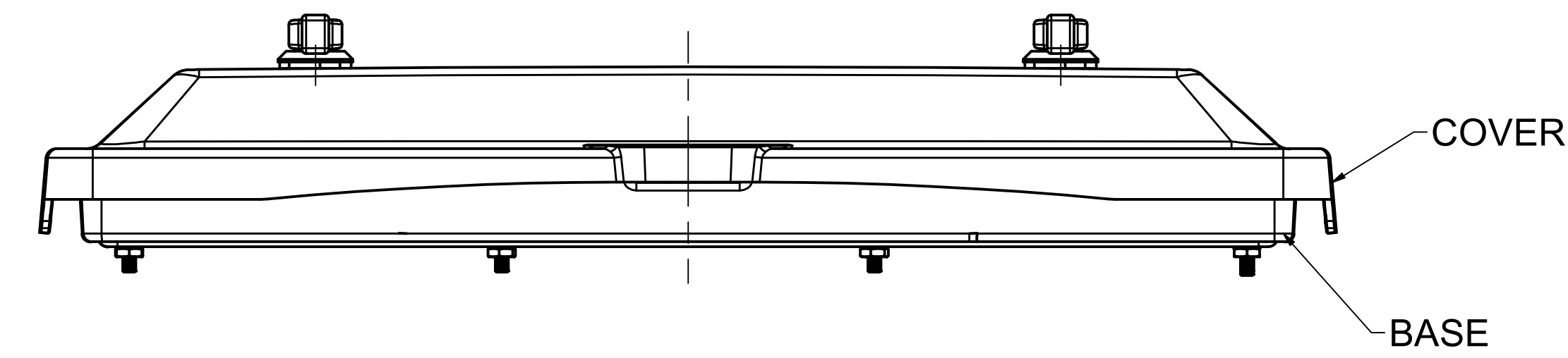
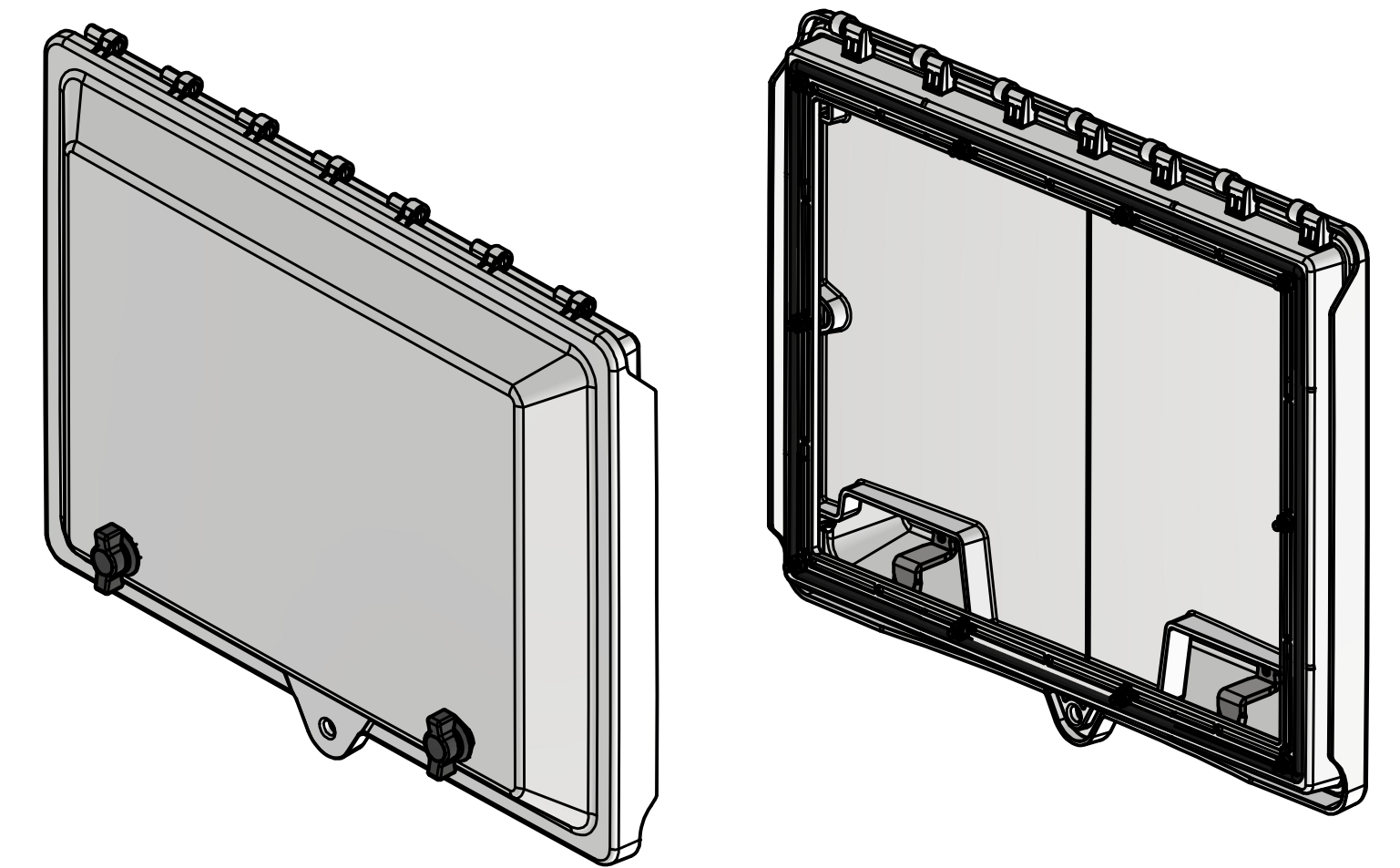


SECTION B-B
2 PLACES



PART LIST			
POS. NO	DESCRIPTION	QUANTITY	MATERIAL
1	ENCLOSURE (BASE/COVER/INNER DOORS)	1	POLYCARBONATE
2	WING KNOB QUARTER TURN LOCK	2	POLYAMIDE/STEEL LATCH
3	HARDWARE KIT	1	STAINLESS STEEL



THIS DRAWING IS THE SOLE AND EXCLUSIVE PROPERTY OF ROBROY ENCLOSURES. NO PART OF THIS DRAWING MAY BE REPRODUCED, DISTRIBUTED, OR PUBLICALLY DISPLAYED IN ANY FORM OR BY ANY MEANS WITHOUT THE EXPRESS WRITTEN PERMISSION OF ROBROY ENCLOSURES. ALL RIGHTS RESERVED. UNDER THE COPYRIGHT LAWS. COPYRIGHT © ROBROY ENCLOSURES.

SPECIAL REQUIREMENTS		NEMA 250: TYPE IEC 60529: COLOR: COLOR STANDARD: PANTONE 428 C	STANDARD P/N: CUSTOMER DWG:	ALL DIMENSIONS ARE IN INCHES UNLESS OTHERWISE SPECIFIED	TOLERANCES UNLESS SPECIFIED .XX ± 0.03 .XXX ± 0.010
HARDWARE KIT PARTS IN SEALED POUCH • # 10-32 x 3/4 SS 304 PHILIP DRIVE PAN HEAD SCREWS - 10 Nos. (ALT) • M5 X 3/4 SS 304 SLOTTED CHEESE HEAD SCREW - 10 Nos. • SS WASHERS - 20 Nos. • SS 304 #10-32 NUT (ALT) M5 NUT - 10 Nos. • INSTRUCTION SHEET -1 No • DRILL TEMPLATE - 1 No.		MATERIAL: POLYCARBONATE LEXAN 943A		Robroy Enclosures 500 Maple Street Belding, Michigan 48809 Phone: 616-794-0700 Fax: 616-749-3378	
REV DESCRIPTION DATE ENG		REVISION HISTORY		DWG HMICVR1611	
DRAWN BY: DEVI DATE: 07/11/2023		CUSTOMER:		PART NUMBER: HMICVR1611	
SCALE: DO NOT SCALE		DESCRIPTION: Assembly		PART NUMBER: HMICVR1611	