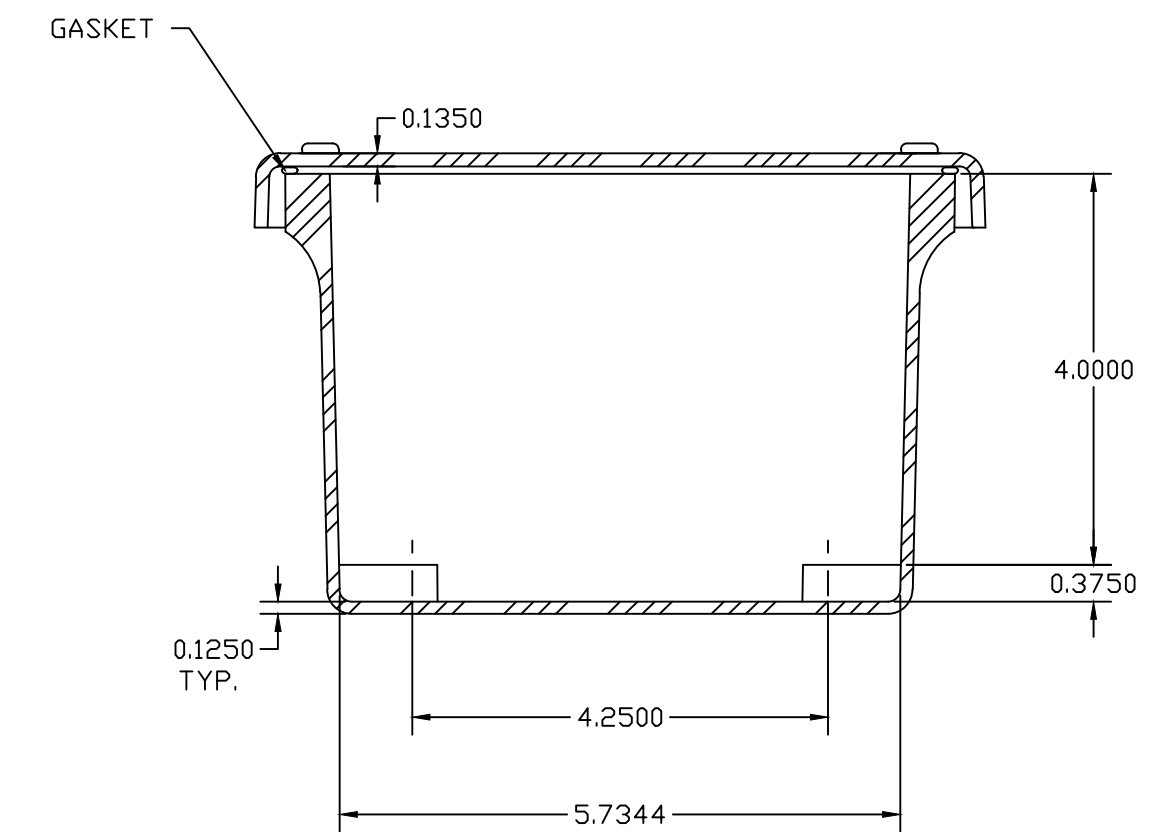
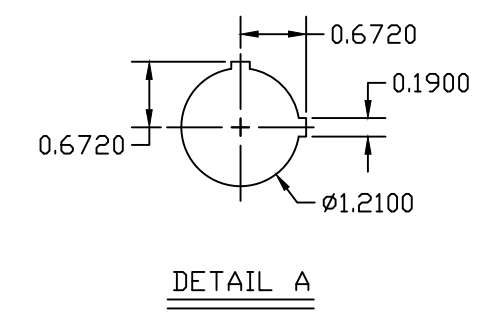
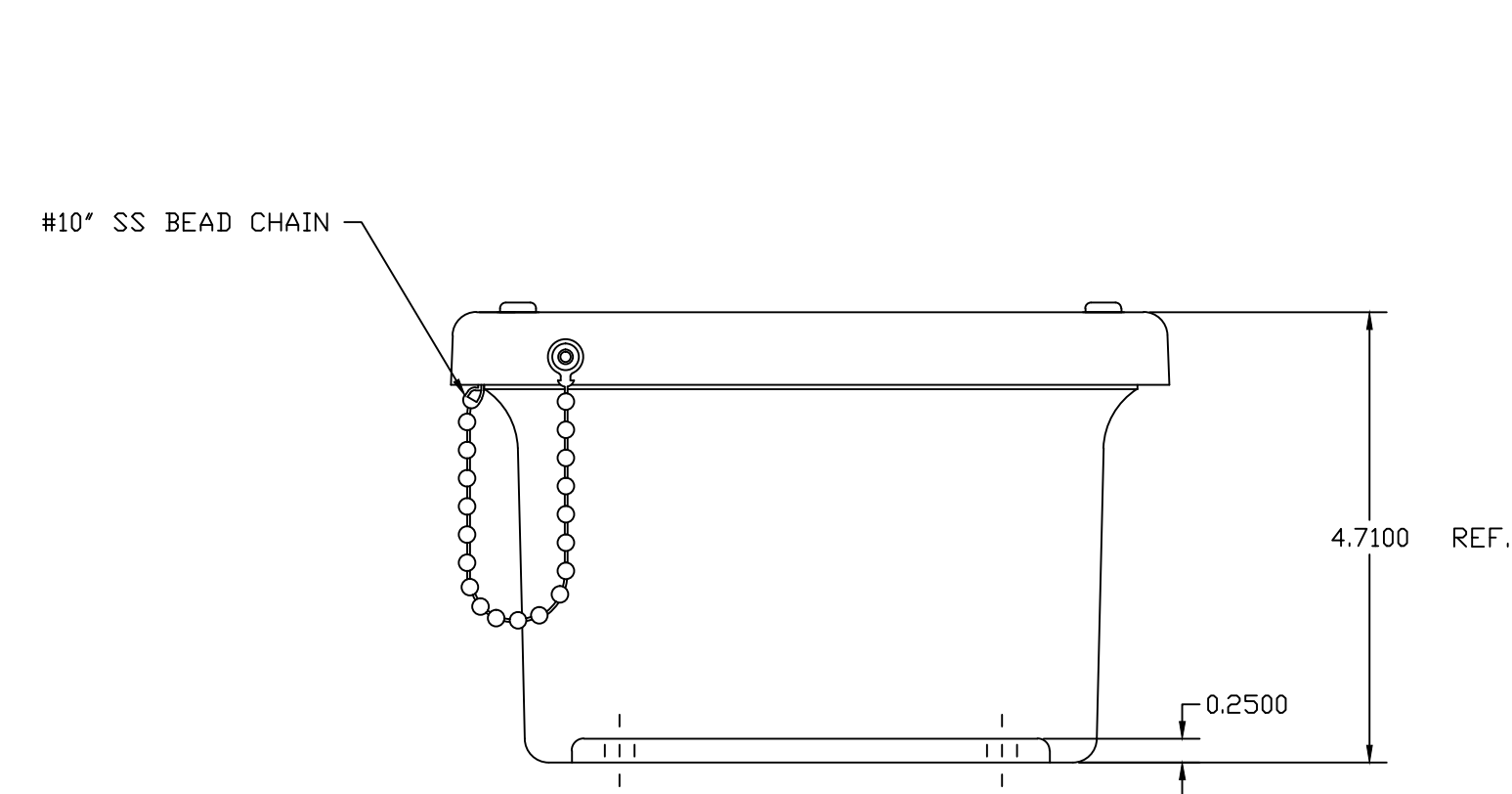



SECTION B-B



SECTION A-A

NOTES:

NEMA 4X COLOR GLACIER GRAY RR1013		TOLERANCES UNLESS SPECIFIED		DECIMAL ± .010	FRACTIONAL ± 1/32
GROUND STRAP TO BE FURNISHED WITH ENCLOSURE					
MATERIAL	F.R. POLYESTER FIBERGLASS	DR. BY	SH	DATE	6/28/91
LET.	REVISION RECORD	DATE	BY	CHD.	
		APD. BY		DATE	
		SCALE	PART NAME		PART NO.
		DO NOT SCALE	ENCLOSURE		F6PBW



STAHLIN  
ENCLOSURES  
DIVISION OF ROBROY INDUSTRIES

BELDING, MICHIGAN  
48809

AutoCAD DWG. FILE  
F6PBW