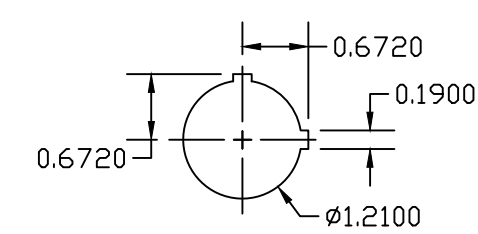
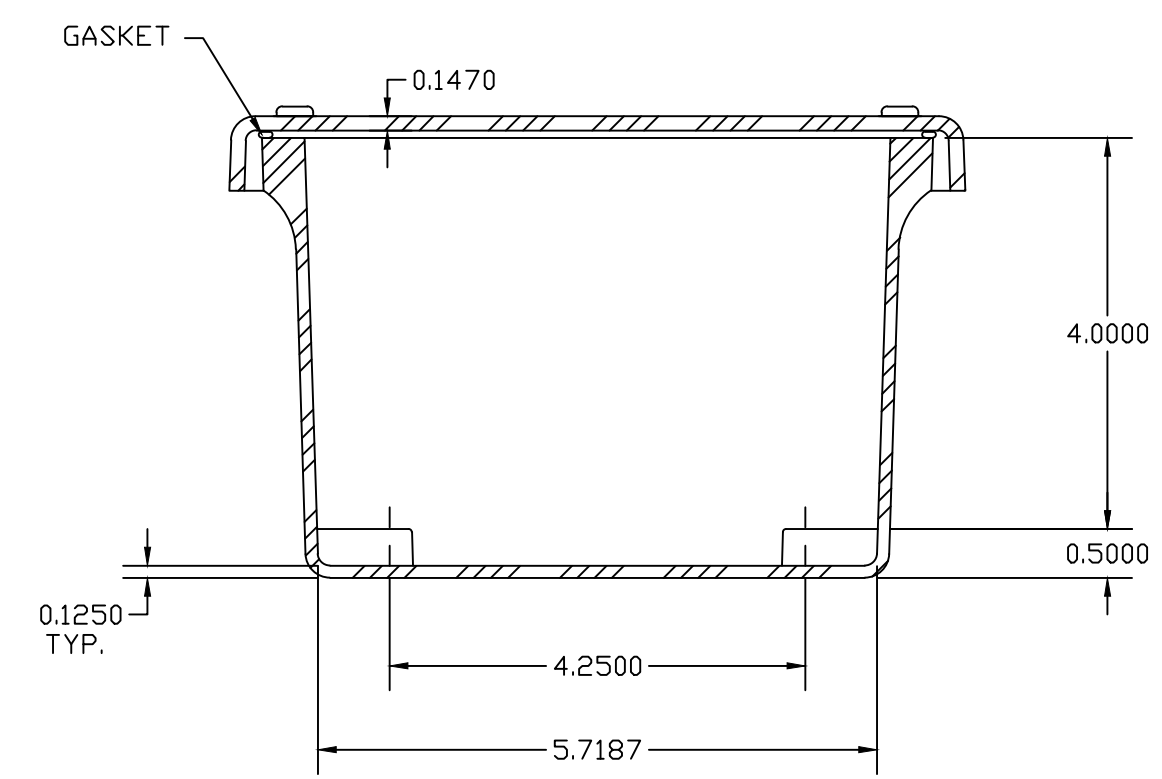
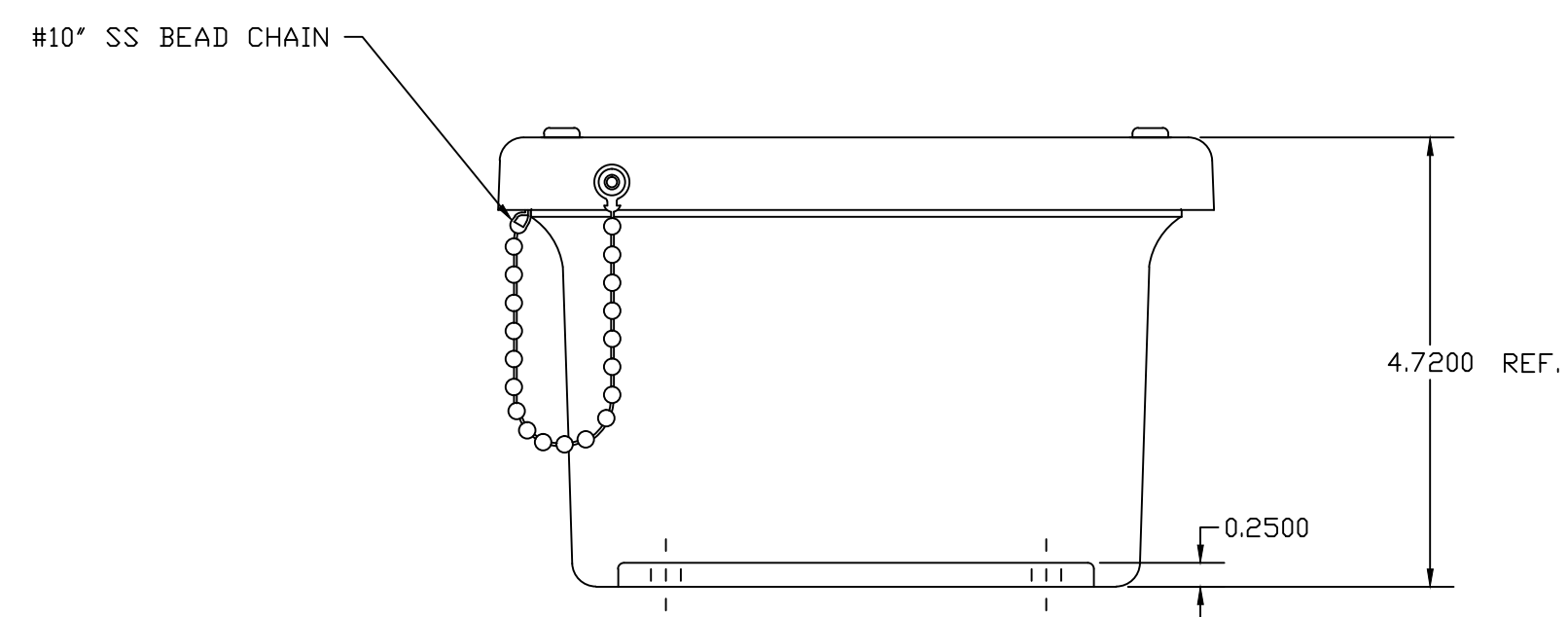


SECTION B-B




DETAIL A



SECTION A-A

NOTES:

NEMA 4X COLOR GLACIER GRAY RR1013						TOLERANCES UNLESS SPECIFIED		DECIMAL ±.010	FRACTIONAL ± 1/32
GROUND STRAP TO BE FURNISHED WITH ENCLOSURE									
MATERIAL		DR. BY		DATE		 BELDING, MICHIGAN 48809 DIVISION OF ROBROY INDUSTRIES			
F.R. POLYESTER FIBERGLASS		SH		6/28/91					
REVISION RECORD		DATE	BY	CHD.	CHK. BY	DATE	CUSTOMER		AutoCAD DWG. FILE
							F4PBW		
					APD. BY	DATE	PART NAME		PART NO.
							ENCLOSURE		F4PBW
					SCALE				
					DO NOT SCALE				