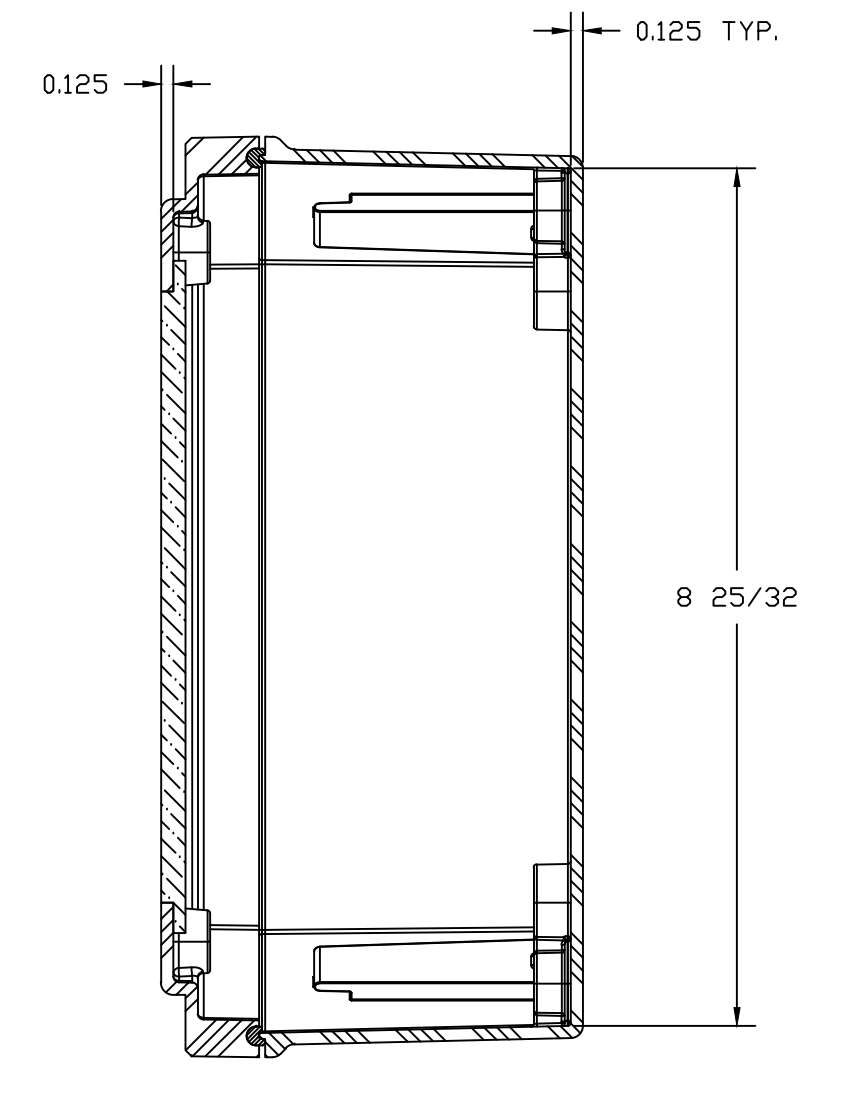
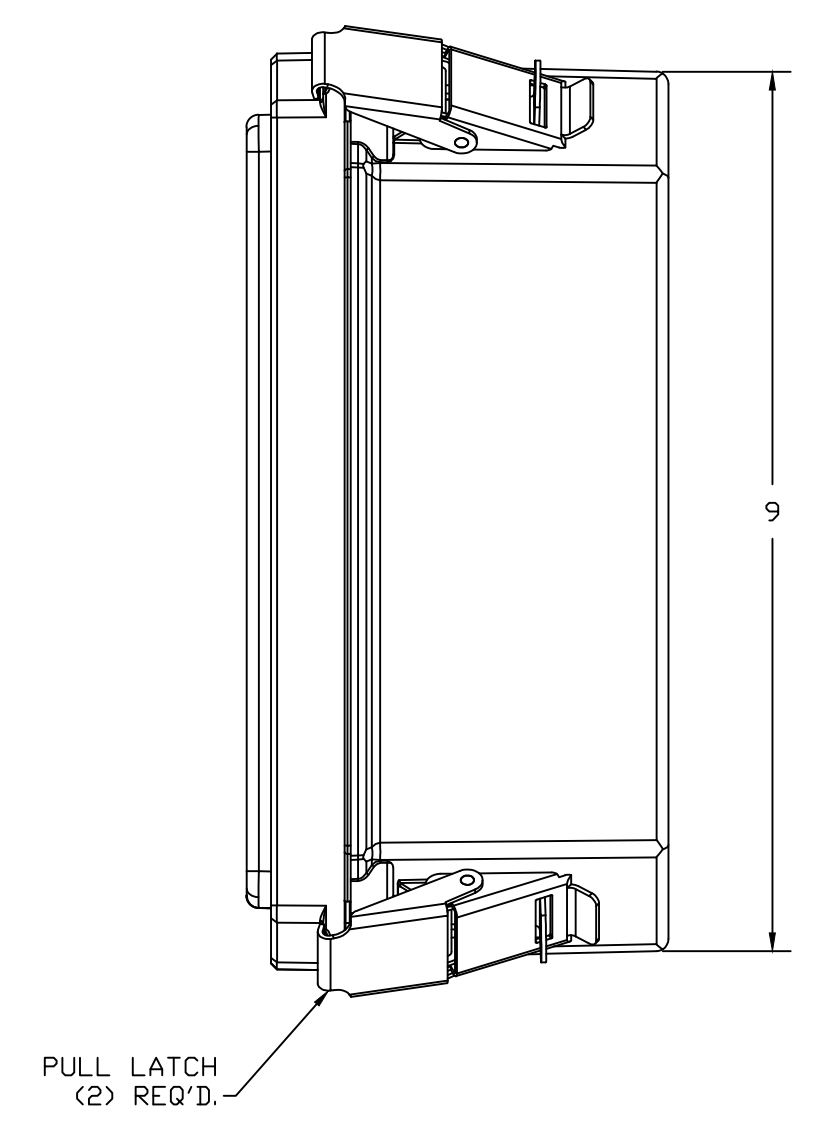
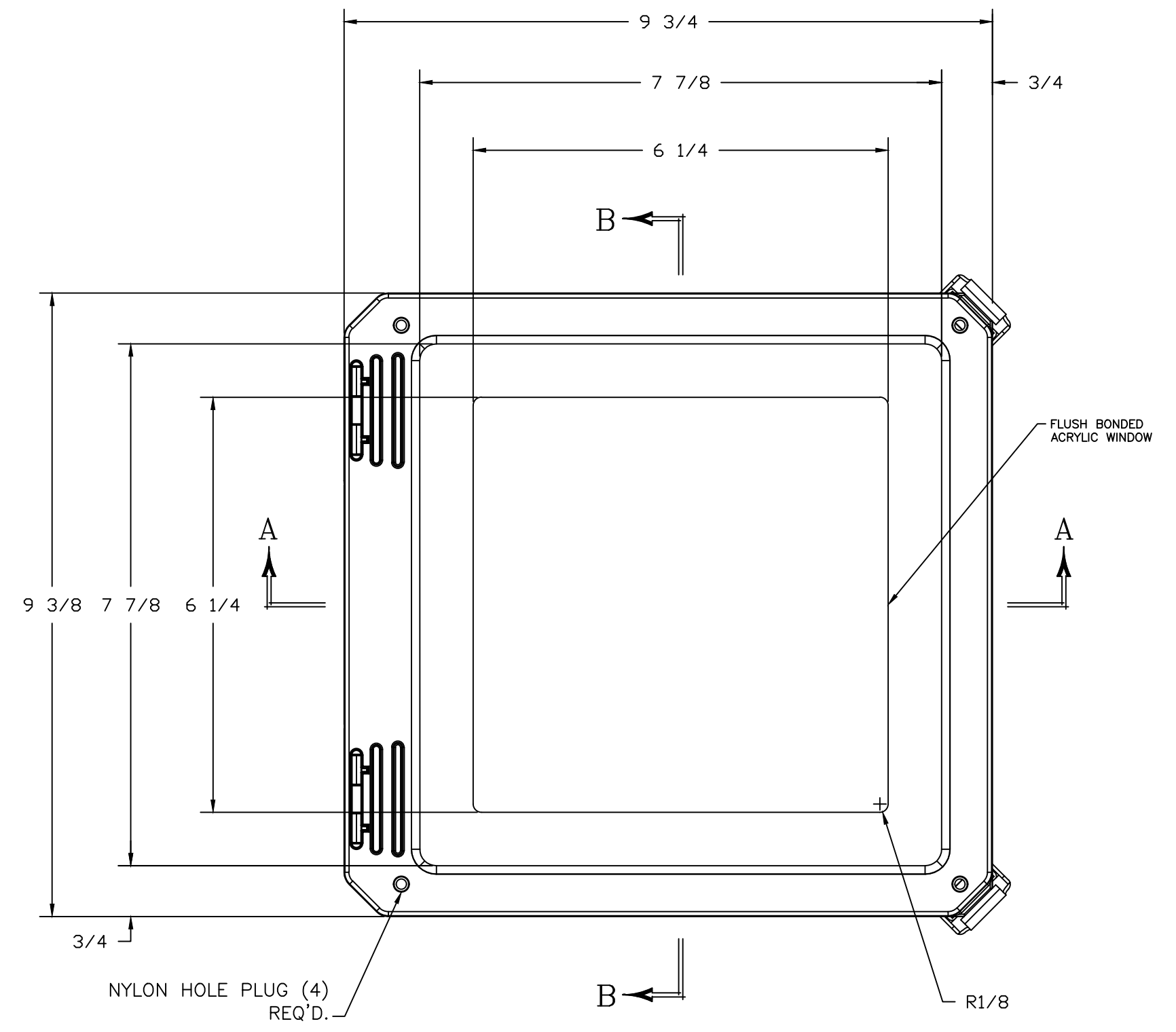
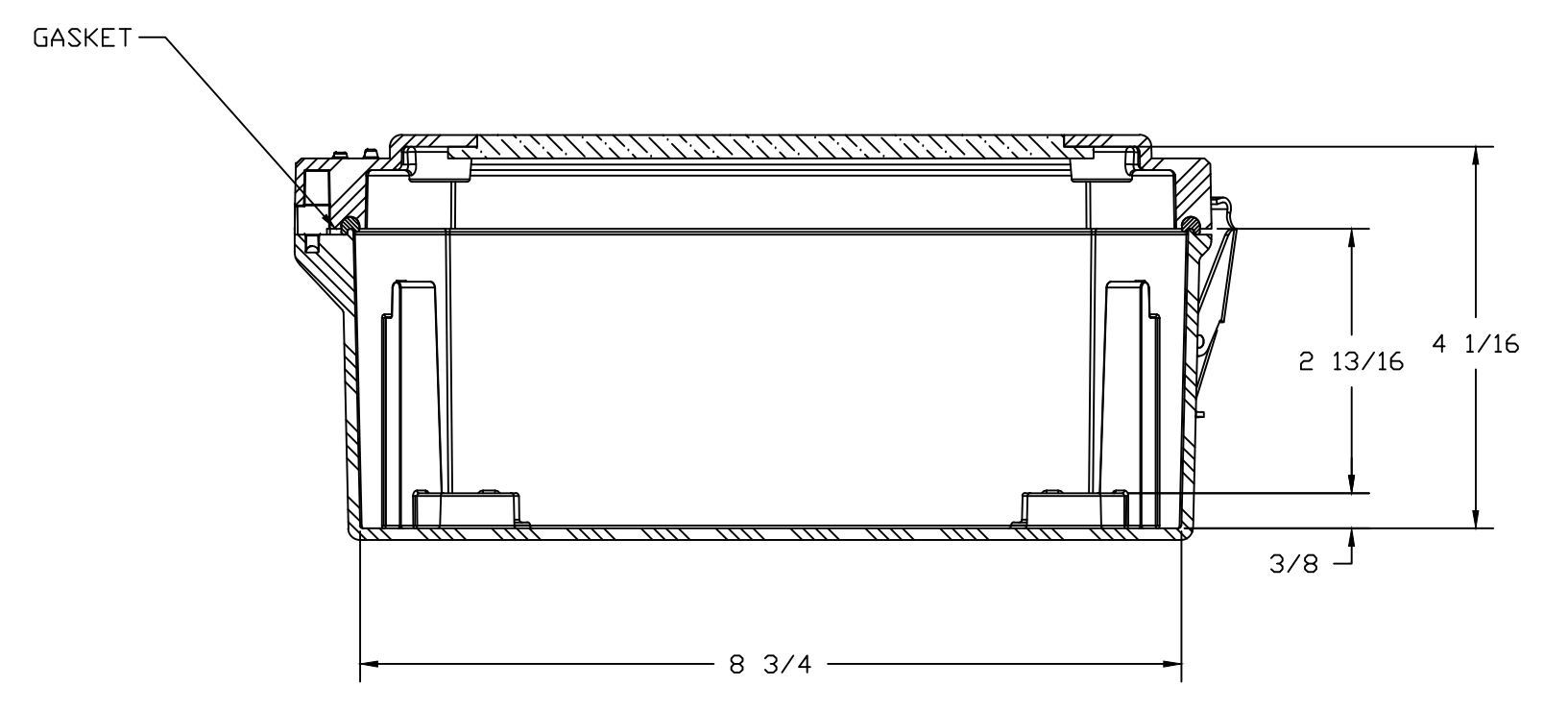
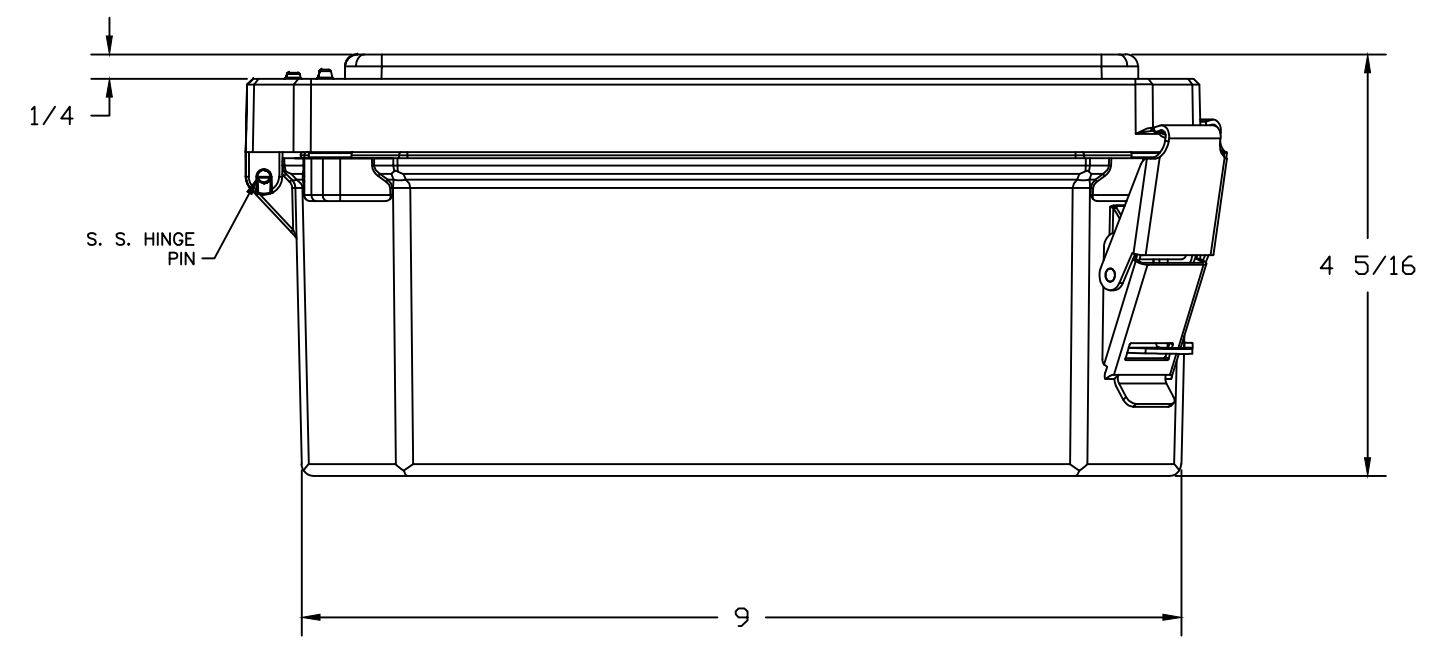


WITH COVER REMOVED




SECTION B-B



SECTION A-A

NOTES:

NEMA 1, 3, 3S, 4X, 12, 13 IP66		TOLERANCES UNLESS SPECIFIED		DECIMAL ± .010	FRACTIONAL ± 1/32
COLOR GLACIER GRAY RR1013					
MATERIAL	F.R. POLYESTER FIBERGLASS	DR. BY	ZJB	DATE	3/27/03
LET.	REVISION RECORD	DATE	BY	CHK. BY	CHD.
		APD. BY		DATE	
		SCALE	1:1	PART NAME	ENCLOSURE
		 STAHLIN ENCLOSURES DIVISION OF ROBROY INDUSTRIES		BELDING, MICHIGAN 48809 AutoCAD DWG. FILE DSW80804HPL	
		PART NO.		DSW80804HPL	