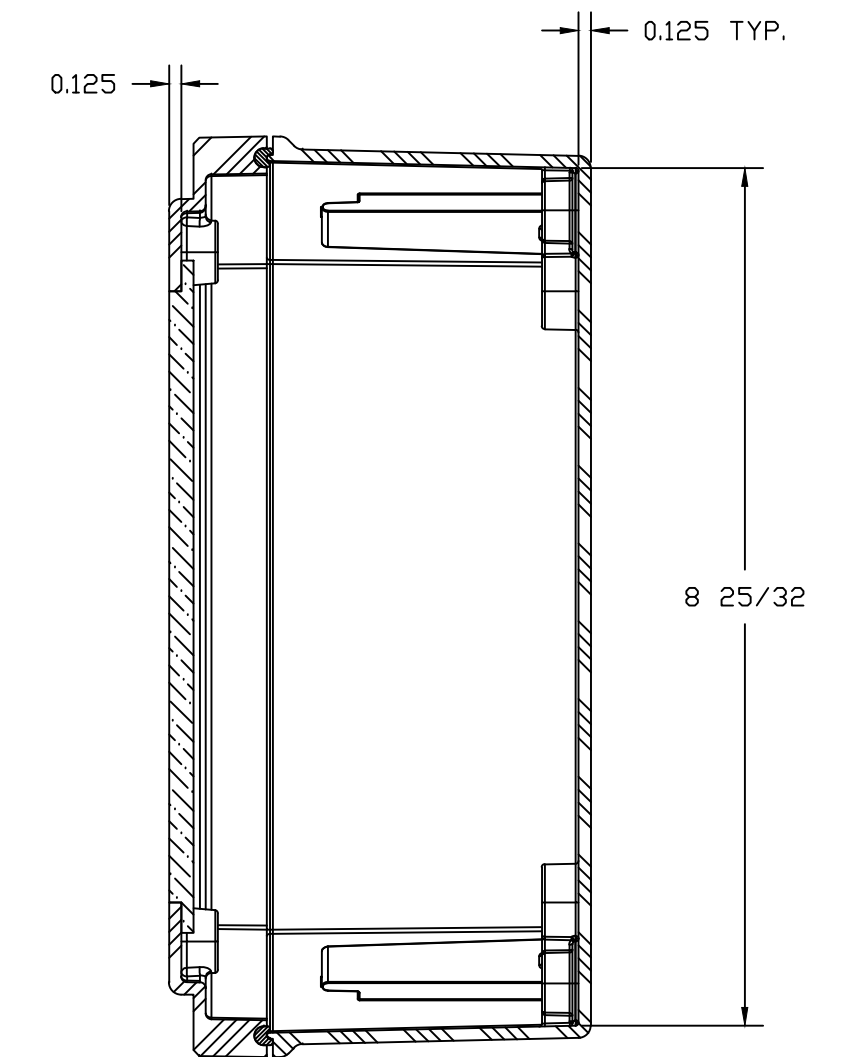
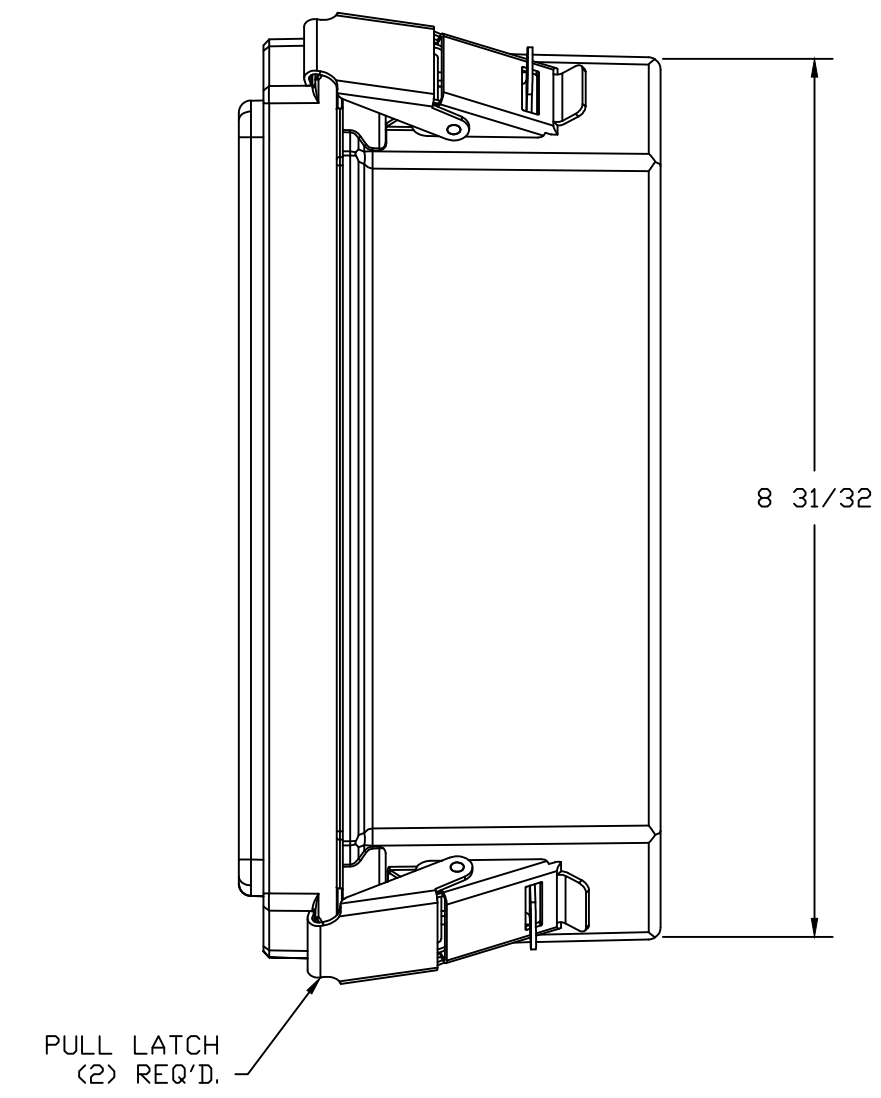
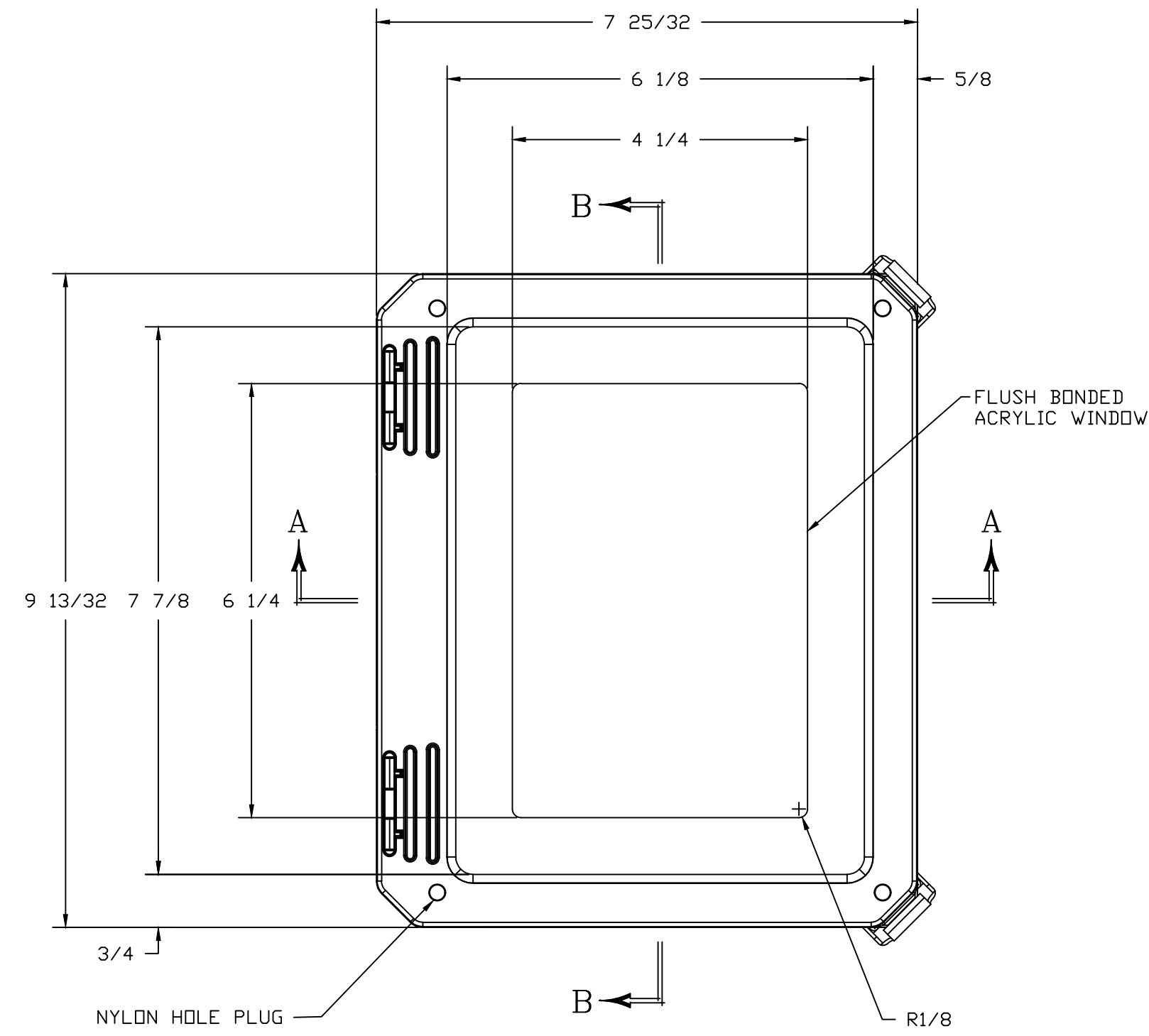
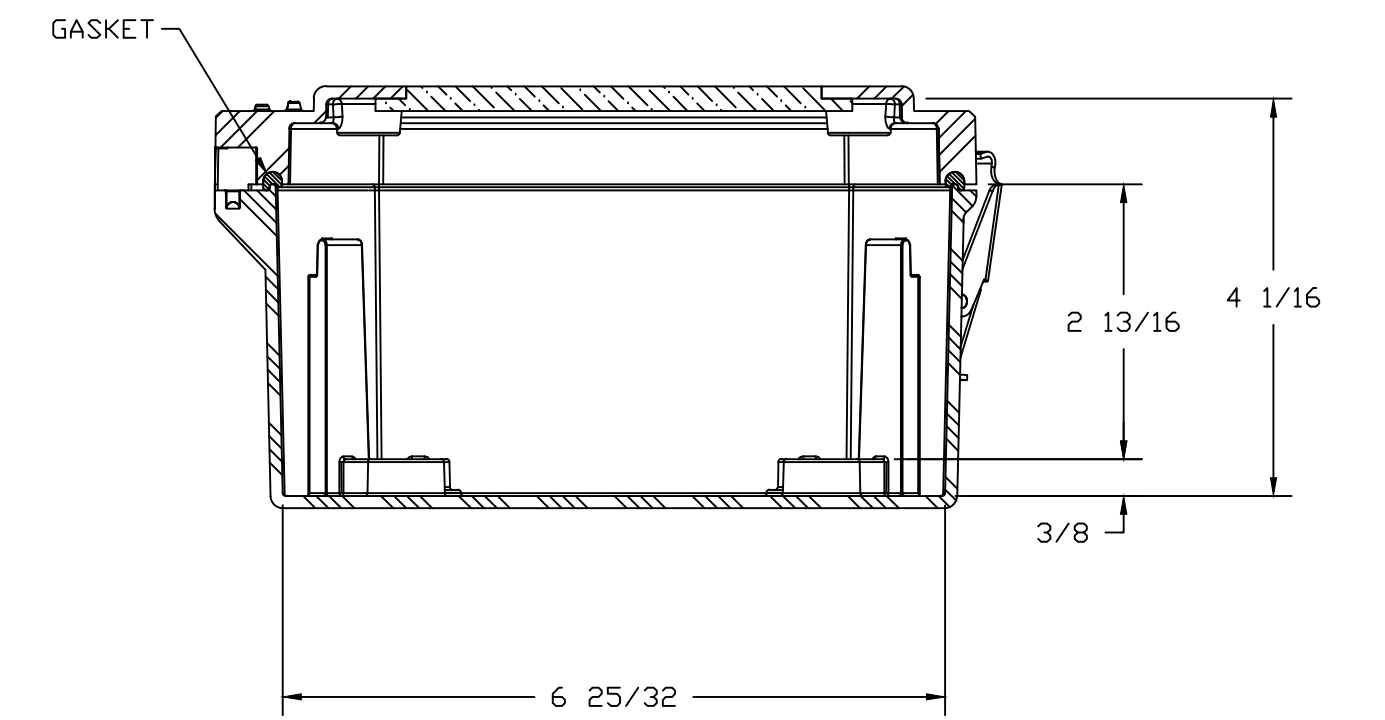
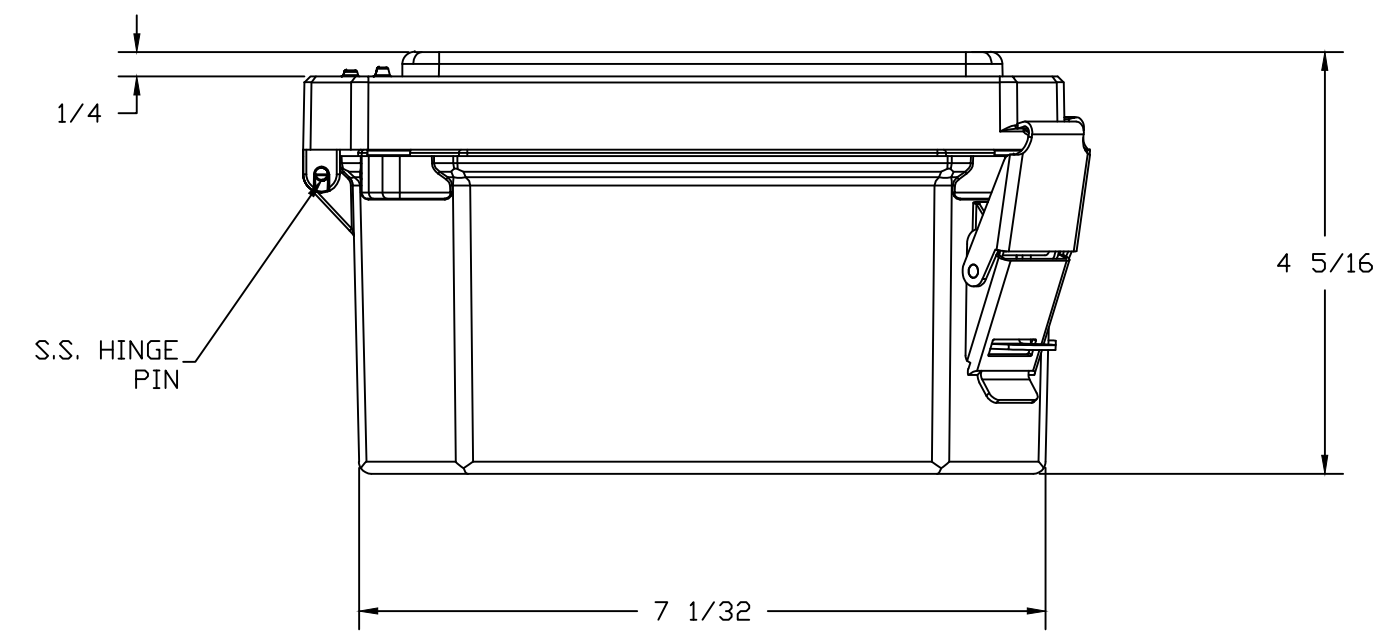


WITH COVER REMOVED




SECTION B-B



SECTION A-A

NOTES:

COLOR: GLACIER GRAY RR1013				TOLERANCES UNLESS SPECIFIED		DECIMAL ± .010	FRACTIONAL ± 1/32
NEMA 1, 3, 3S, 4X, 12, 13 IP66							
MATERIAL F.R. POLYESTER FIBERGLASS				DR. BY ZJB	DATE 3/23/03	 BELDING, MICHIGAN 48809	
LET.	REVISION RECORD	DATE	BY	CHD.	CHK. BY		
					APD. BY	DATE	CUSTOMER STAHLIN
					SCALE	PART NAME ENCLASURE	PART NO. DSW80604HPL
					DO NOT SCALE		AutoCAD DWG. FILE DSW80604HPL