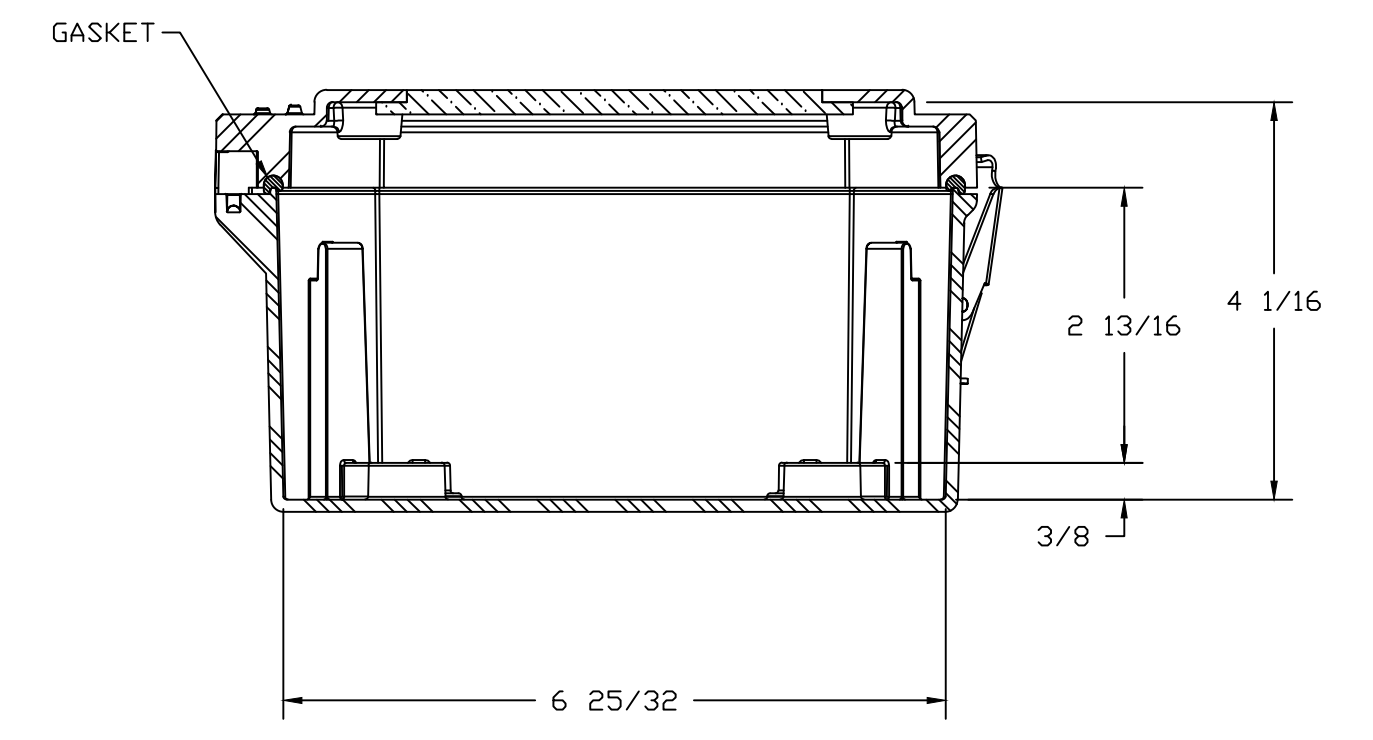
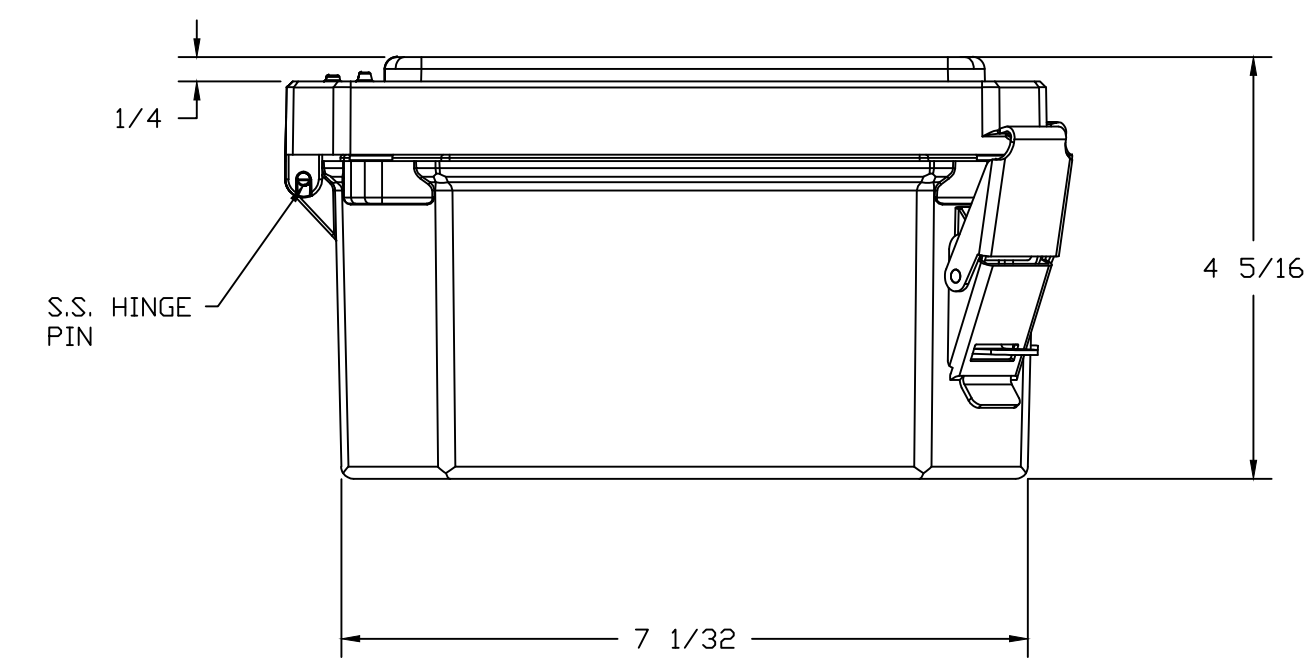



SECTION B-B



SECTION A-A

NOTES:

COLOR: GLACIER GRAY RR1013		TOLERANCES UNLESS SPECIFIED		DECIMAL ± .010	FRACTIONAL ± 1/32
MATERIAL: F.R. POLYESTER FIBERGLASS		DR. BY: ZJB	DATE: 10/21/02	 BELDING, MICHIGAN 48809	
REVISION RECORD		CHK. BY:	DATE:		
LET.	DATE	BY	CHD.	APD. BY:	DATE
SCALE: DO NOT SCALE		PART NAME: ENCLOSURE		PART NO.: DSW60604HPL	

AutoCAD DWG. FILE: DSW60604HPL