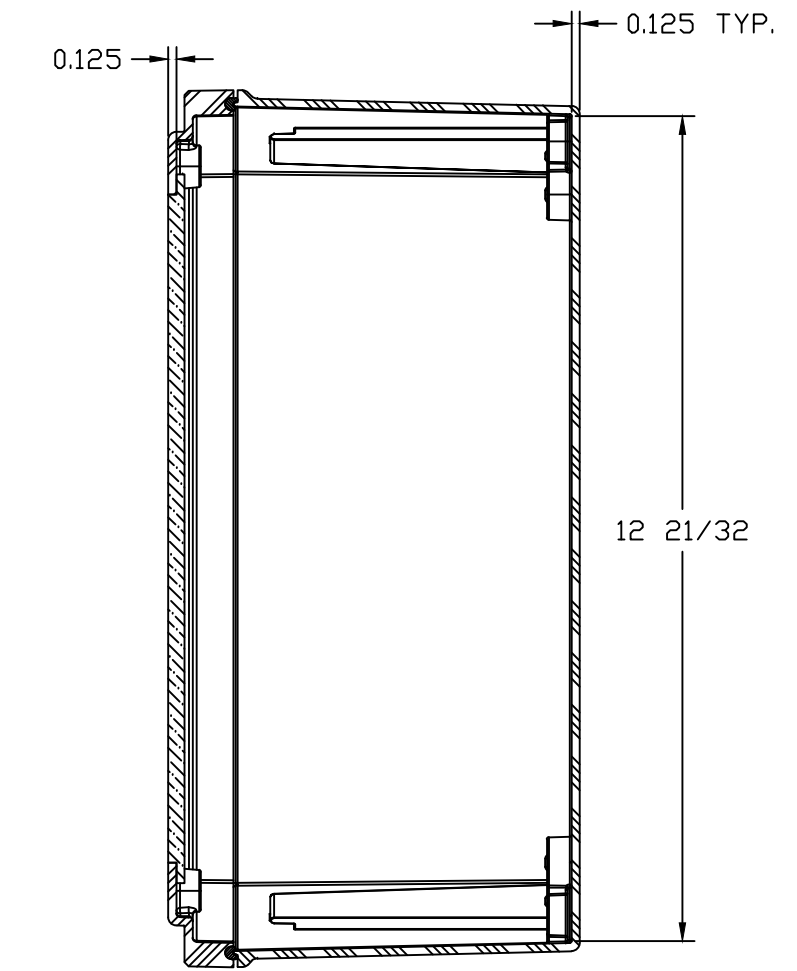
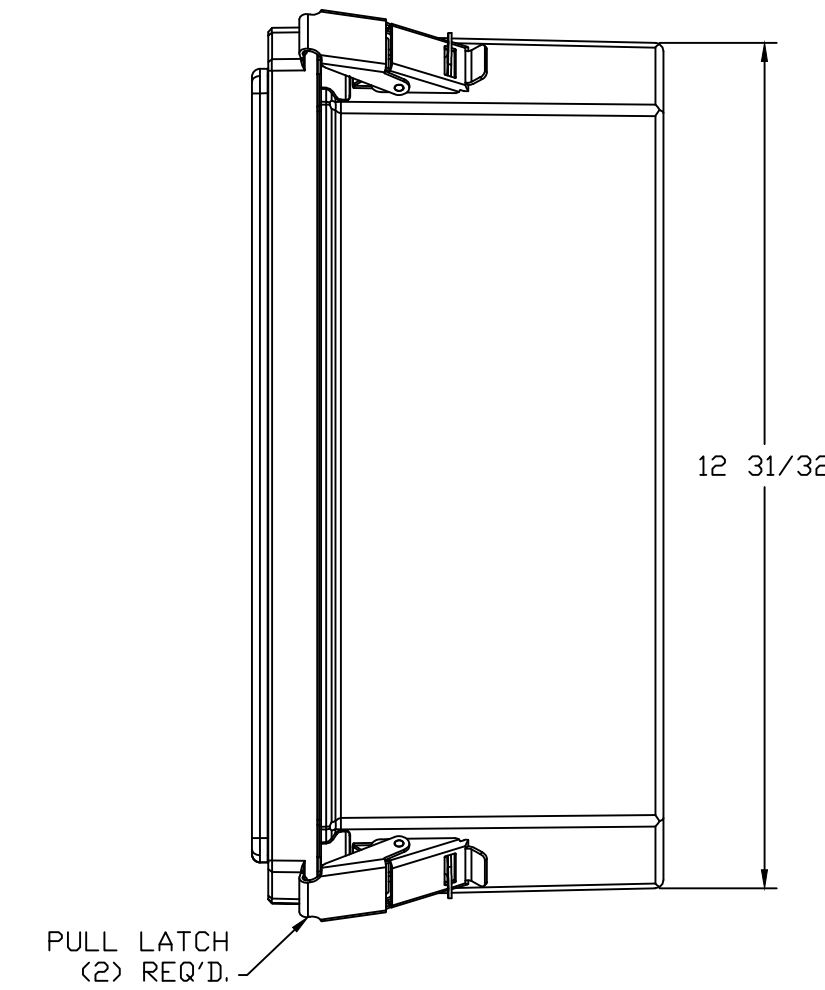
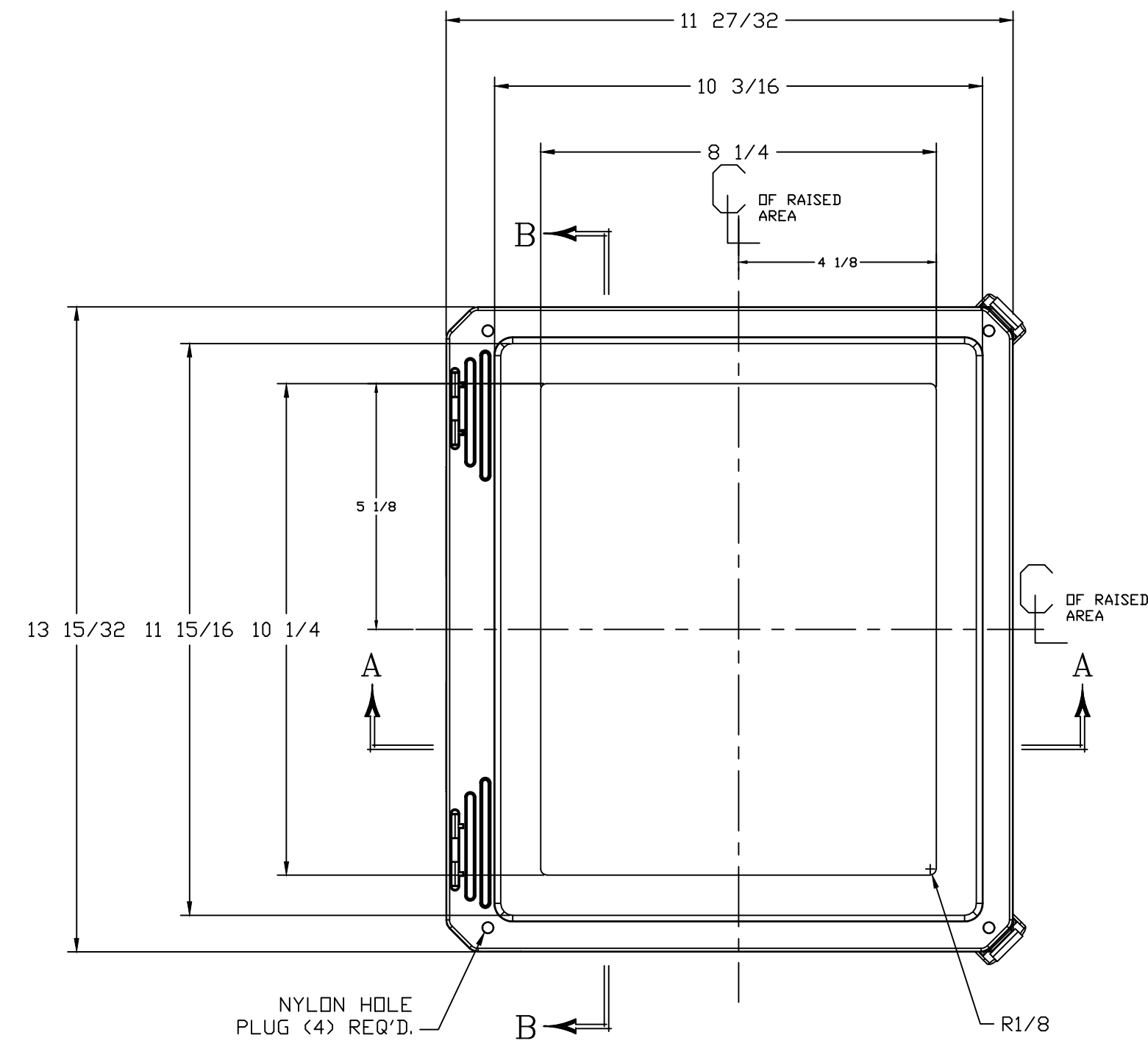
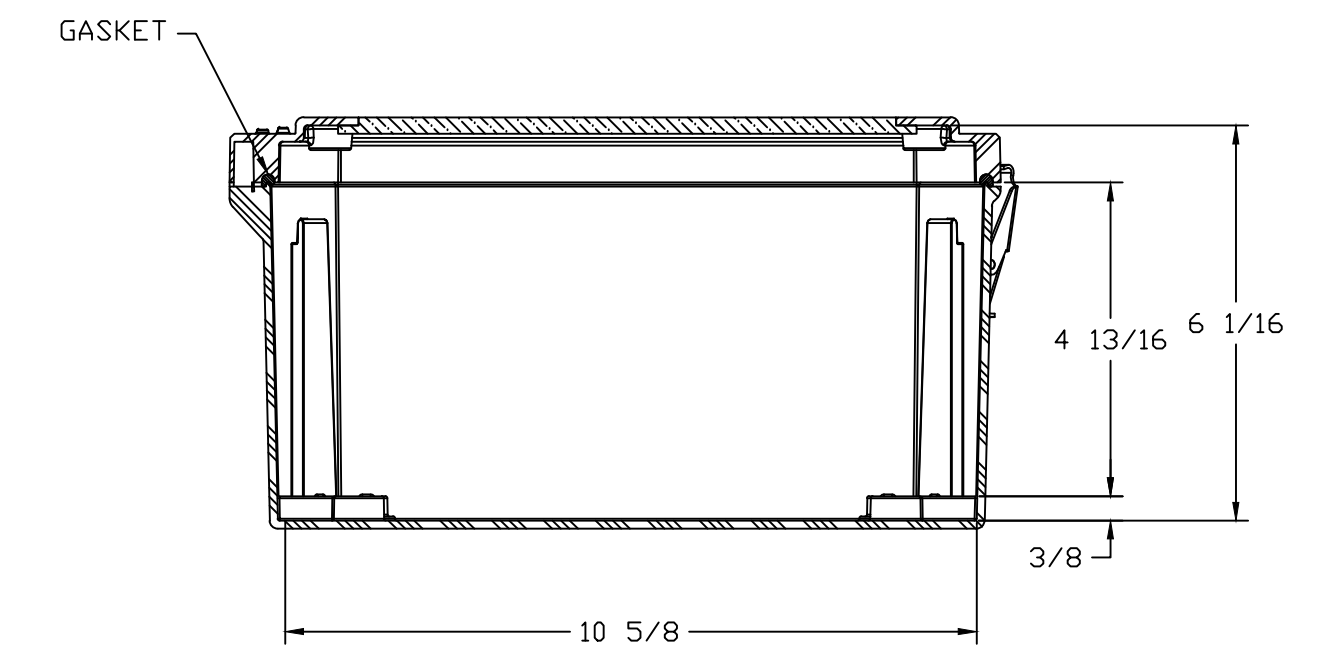
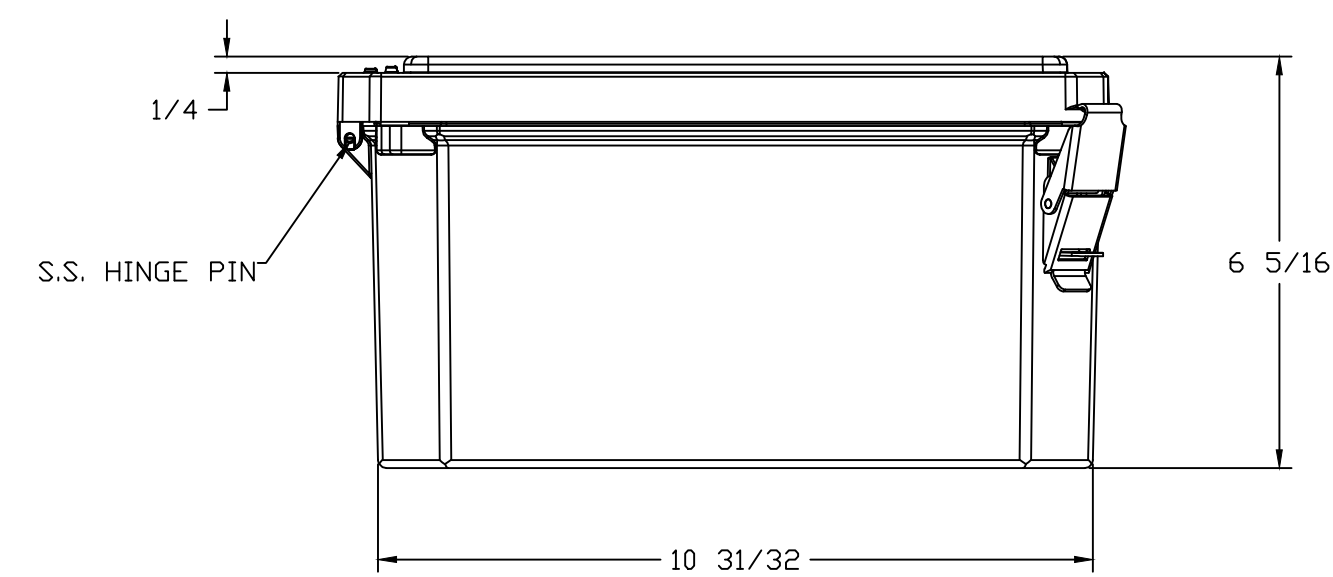


WITH COVER REMOVED




SECTION B-B



SECTION A-A

NOTES:

| | | | | | | | | | | | | | |
|----------|-----------------|---------------------------|----|--------|---------|--------------|--------|--------------------------------|--|--|--|----------------|-------------------|
| MATERIAL | | F.R. POLYESTER FIBERGLASS | | DR. BY | ZJB | DATE | 4/2/03 | COLOR: GLACIER GRAY RR1013 | | TOLERANCES UNLESS SPECIFIED | | DECIMAL ± .010 | FRACTIONAL ± 1/32 |
| LET. | REVISION RECORD | DATE | BY | CHD. | CHK. BY | DATE | | NEMA 1, 3, 3S, 4X, 12, 13 IP66 | |  BELDING, MICHIGAN 48809 | | | |
| | | | | | APD. BY | DATE | | CUSTOMER | | AutoCAD DWG. FILE DSW121006HPL | | | |
| | | | | | SCALE | DD NDT SCALE | | PART NAME ENCLOSURE | | PART NO. | | DSW121006HPL | |