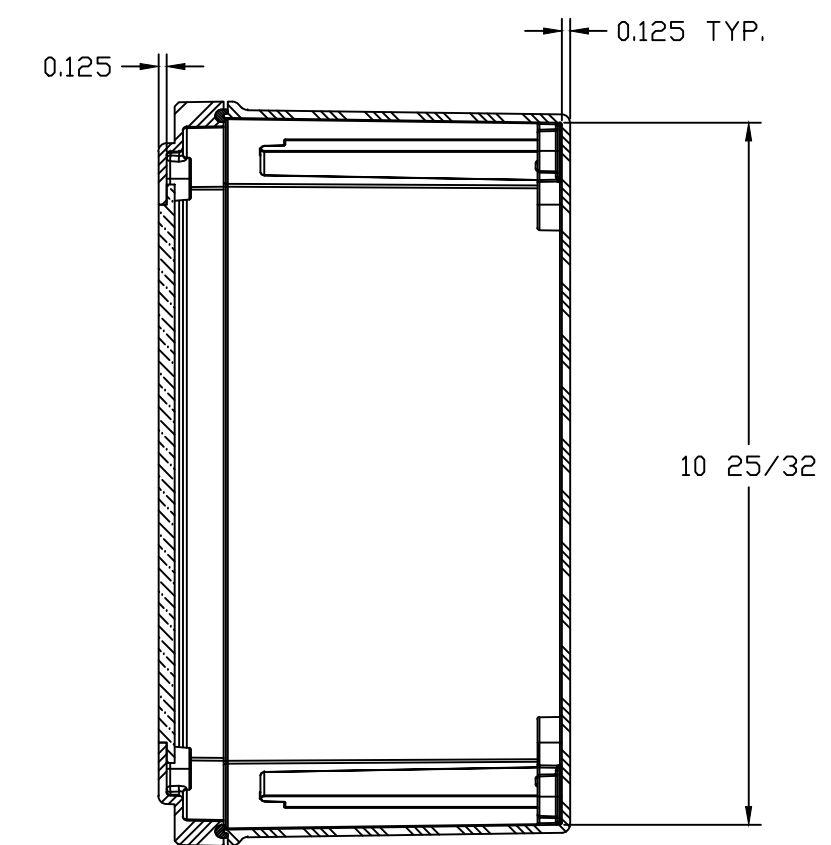
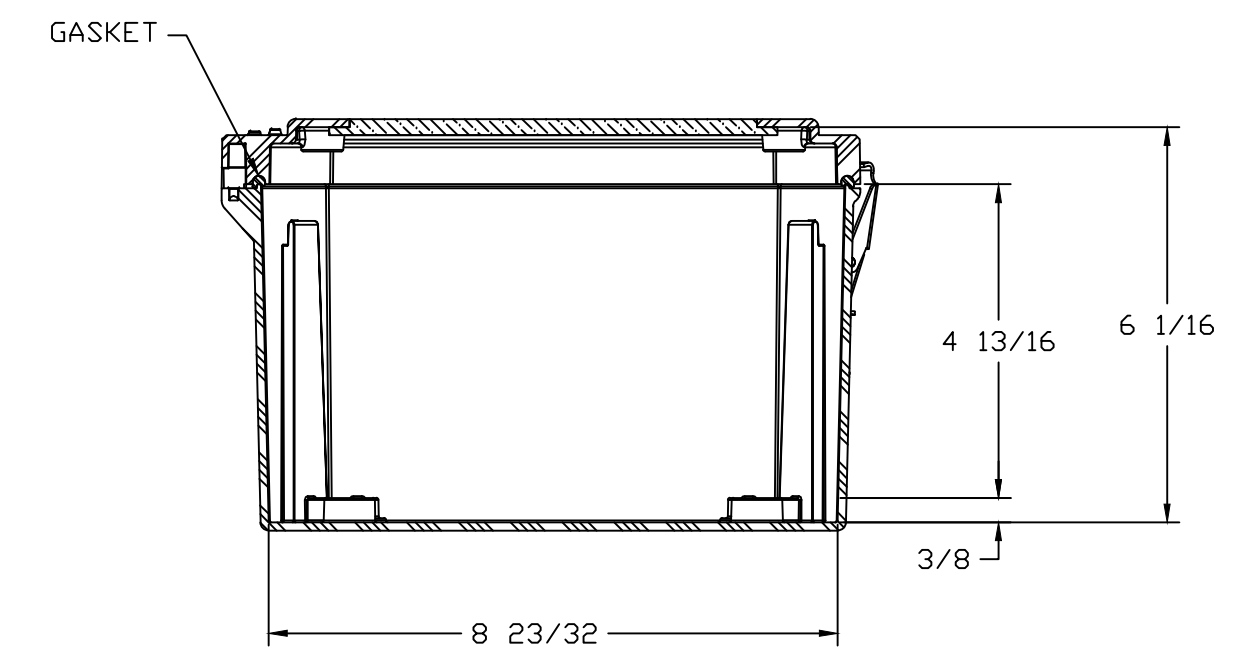
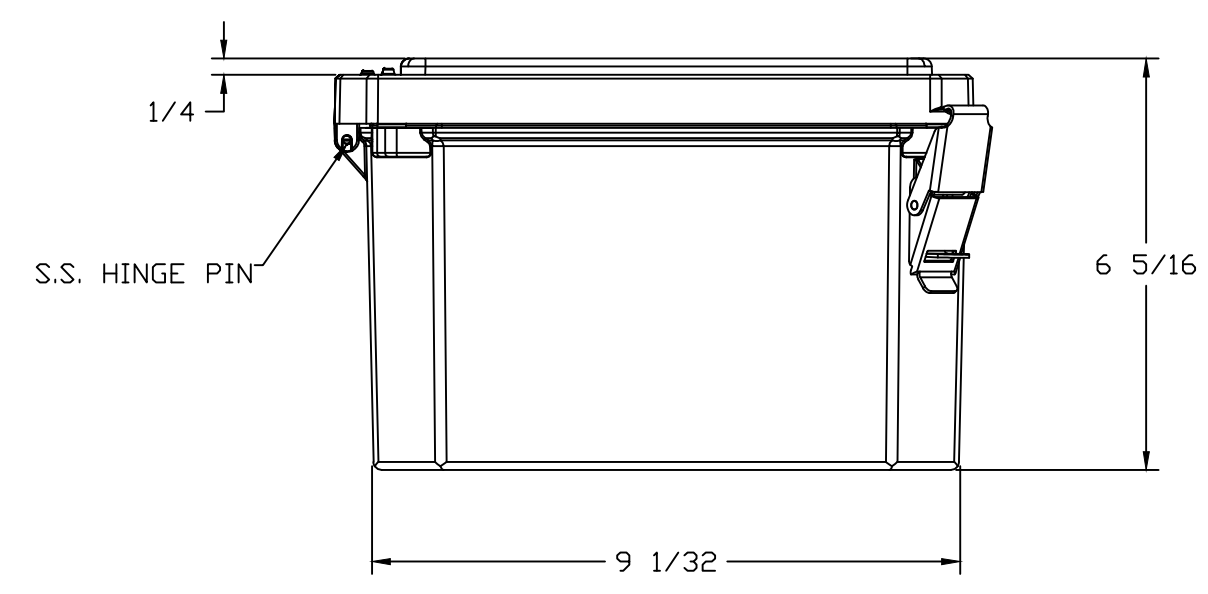


WITH COVER REMOVED



SECTION B-B



SECTION A-A

NOTES:

MATERIAL		F.R. POLYESTER FIBERGLASS		DR. BY DATE		ZJB 4/2/03		NEMA 1, 3, 3S, 4X, 12, 13 IP66		COLOR: GLACIER GRAY RR1013		TOLERANCES UNLESS SPECIFIED		DECIMAL ± .010		FRACTIONAL ± 1/32	
LET.	REVISION RECORD	DATE	BY	CHD.	APD. BY	DATE	CUSTOMER	STAHLIN ENCLOSURES		DIVISION OF ROBOBY INDUSTRIES		BELDING, MICHIGAN 48809		AutoCAD DWG. FILE		DSW100806HPL	
SCALE		PART NAME		ENCLOSURE		PART NO.		SCALE		ENCLOSURE		PART NO.		SCALE		ENCLOSURE	
DD		NDT		SCALE		ENCLOSURE		PART NO.		ENCLOSURE		PART NO.		SCALE		ENCLOSURE	