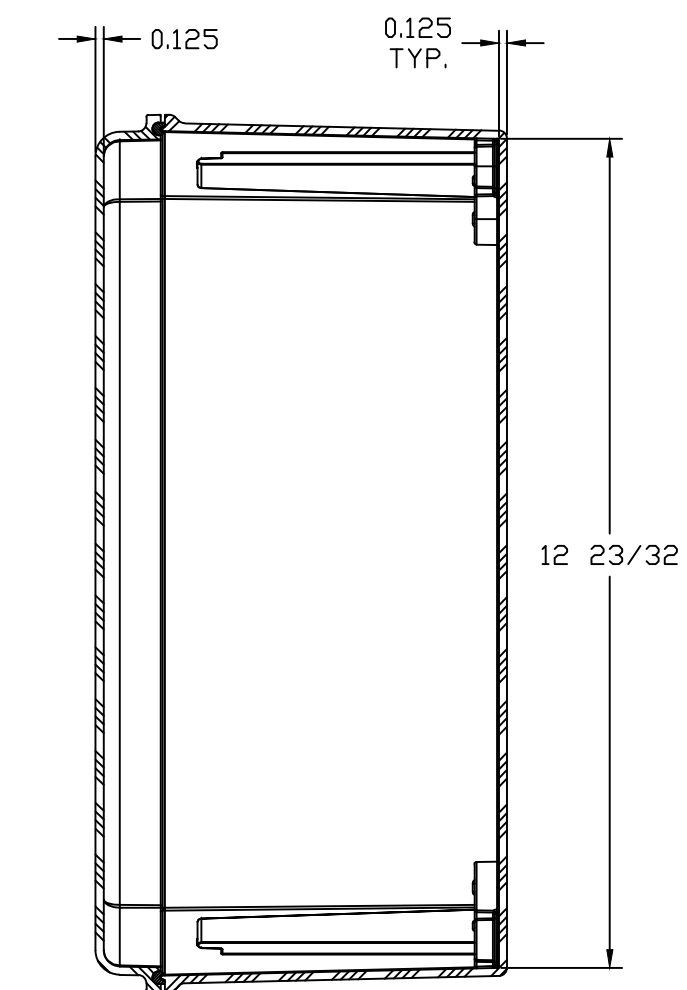
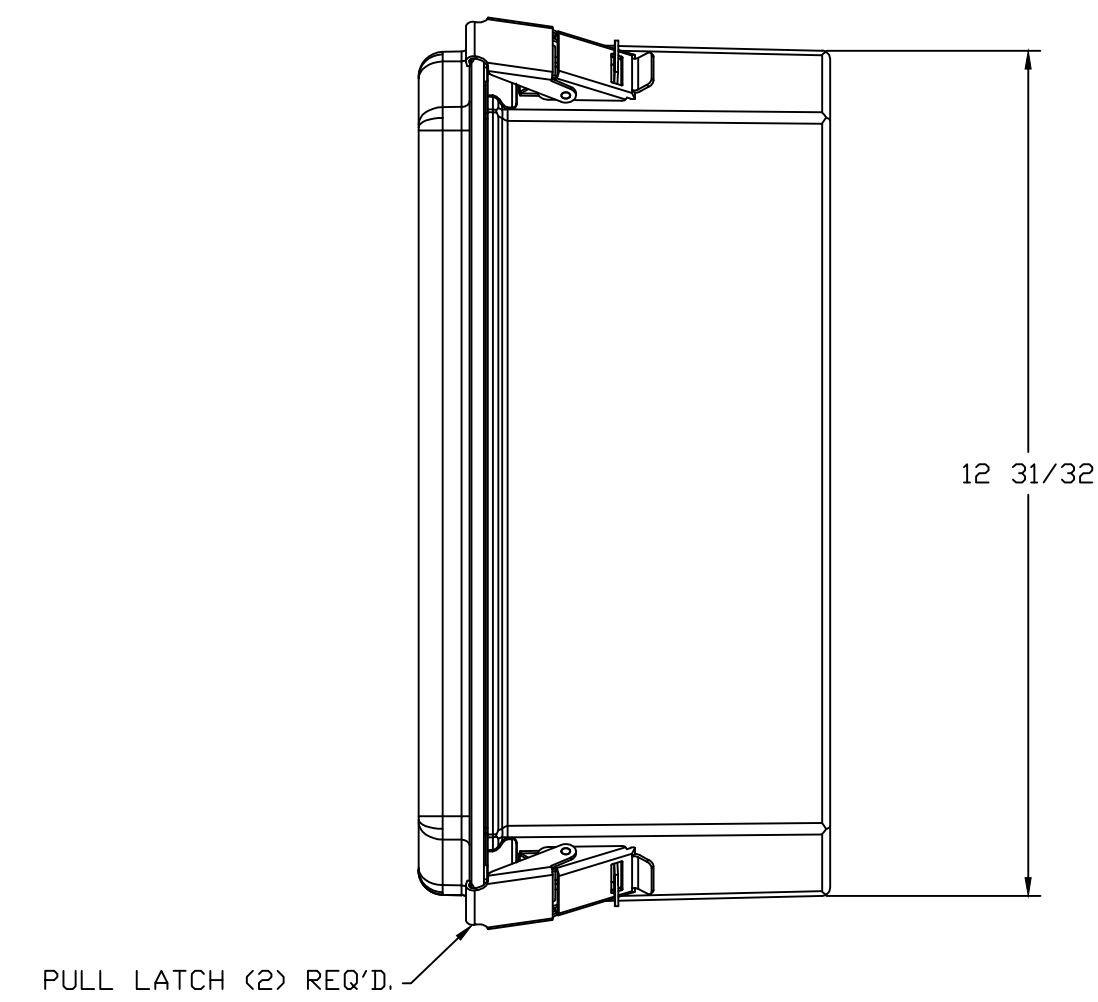
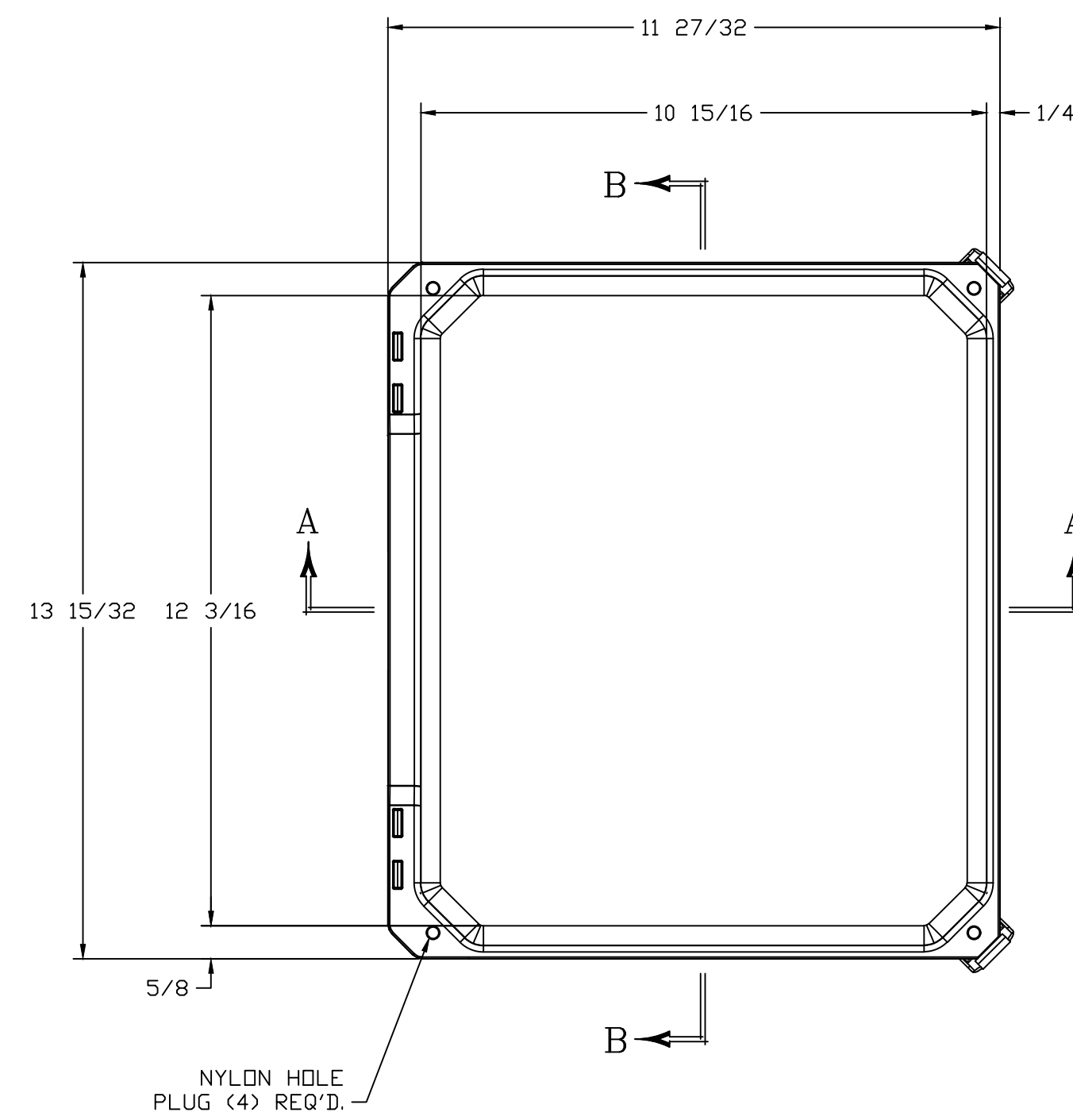
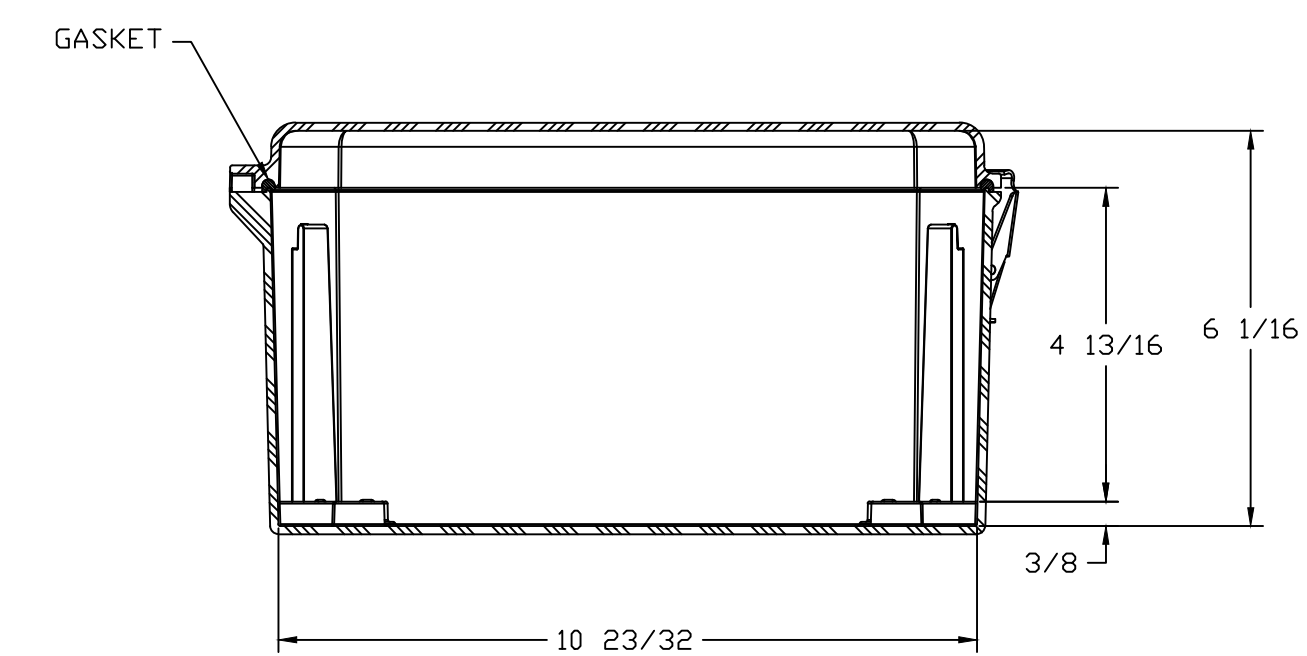
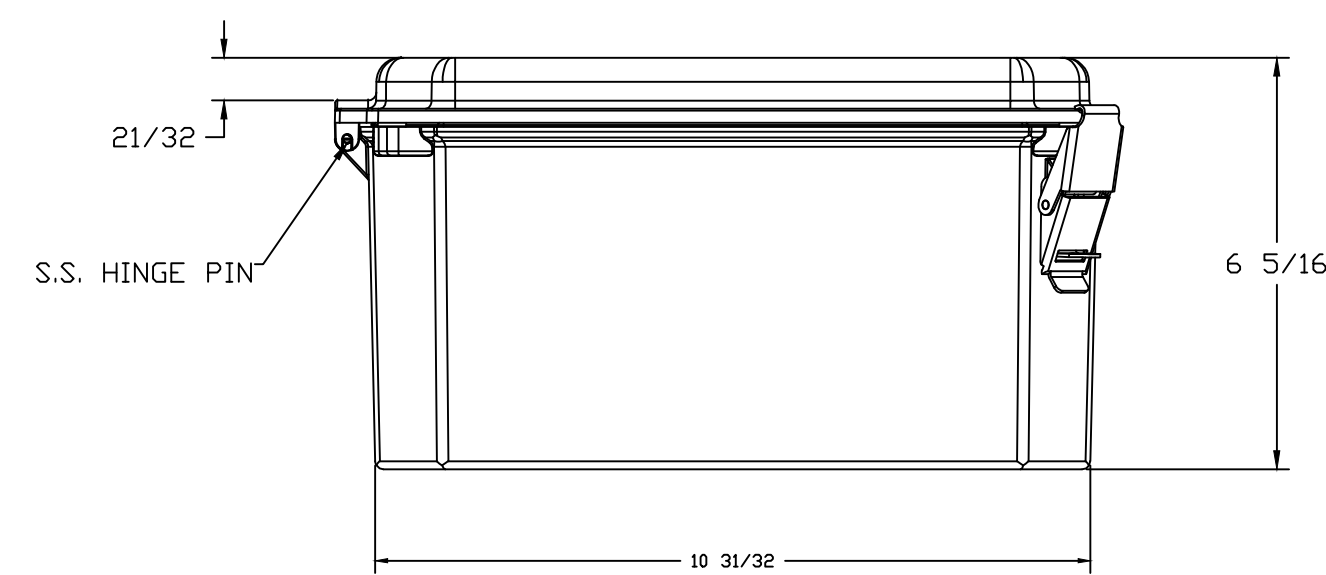


WITH COVER REMOVED



SECTION B-B



SECTION A-A

NOTES:

MATERIAL		F.R. POLYESTER FIBERGLASS		NEMA 1, 3, 3S, 4X, 12, 13 IP66		COLOR: GLACIER GRAY RR1013		TOLERANCES UNLESS SPECIFIED		DECIMAL ± .010		FRACTIONAL ± 1/32		
DR. BY	DATE	CHK. BY	DATE	APD. BY	DATE	CUSTOMER		SCALE		PART NAME		PART NO.		
ZJB	4/2/03					STAHLIN ENCLOSURES		DD NDT SCALE		ENCLOSURE		DSCC121006HPL		
REVISION RECORD		DATE	BY	CHD.	CUSTOMER		ENCLOSURE		PART NAME		PART NO.		DSCC121006HPL	
LET.	REVISION RECORD	DATE	BY	CHD.	CUSTOMER		ENCLOSURE		PART NAME		PART NO.		DSCC121006HPL	

AutoCAD DWG. FILE: DSCC121006HPL

BELDING, MICHIGAN 48809