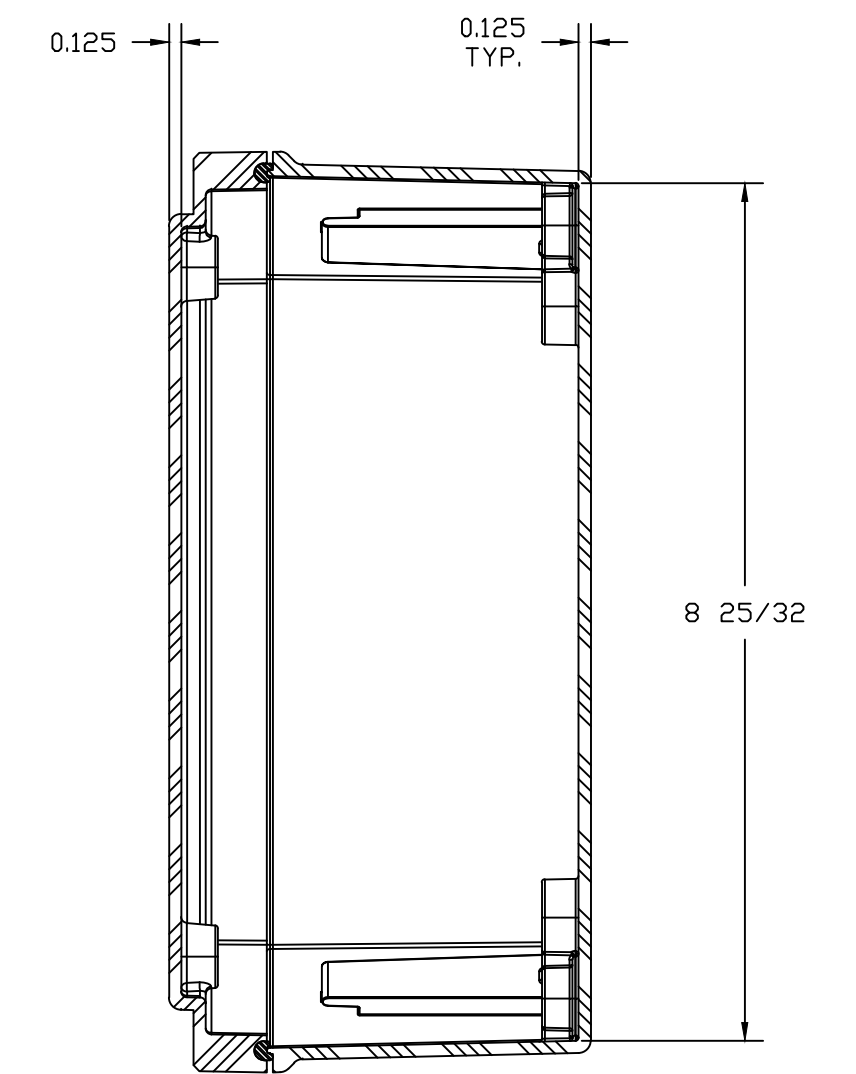
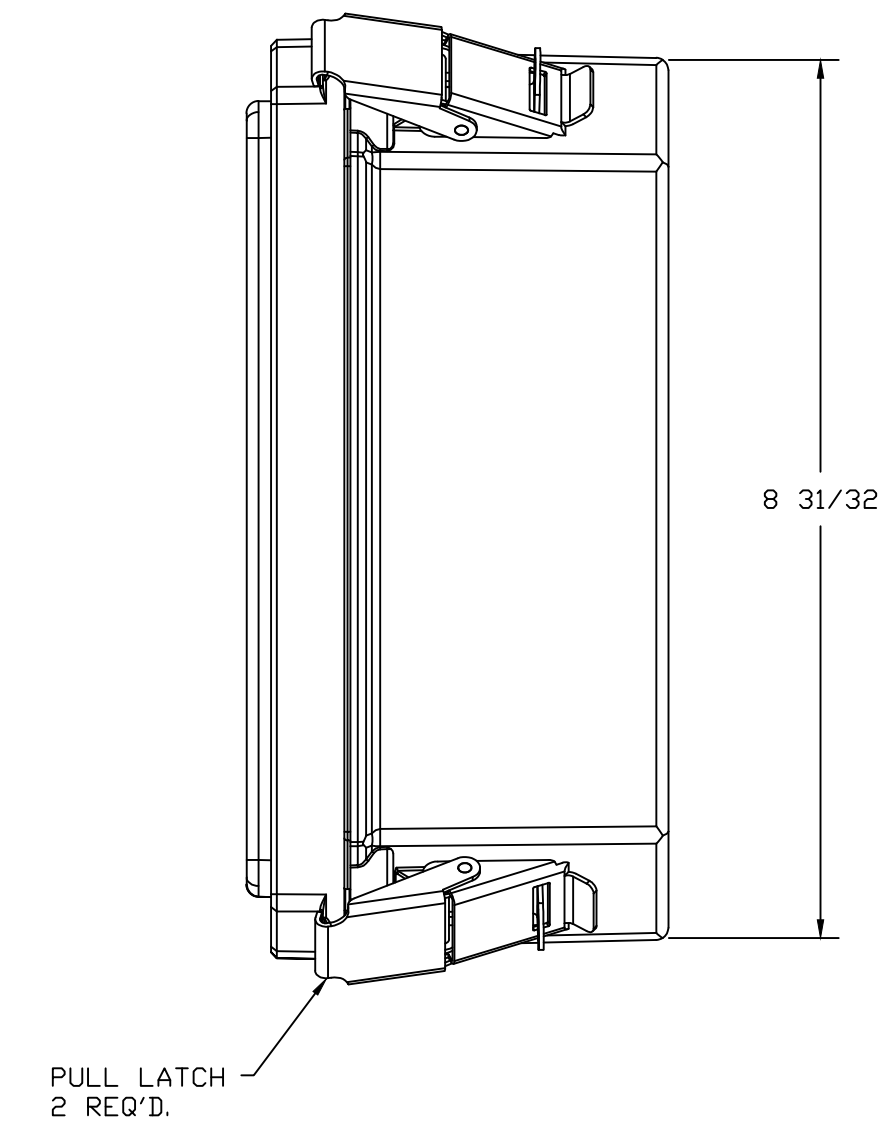
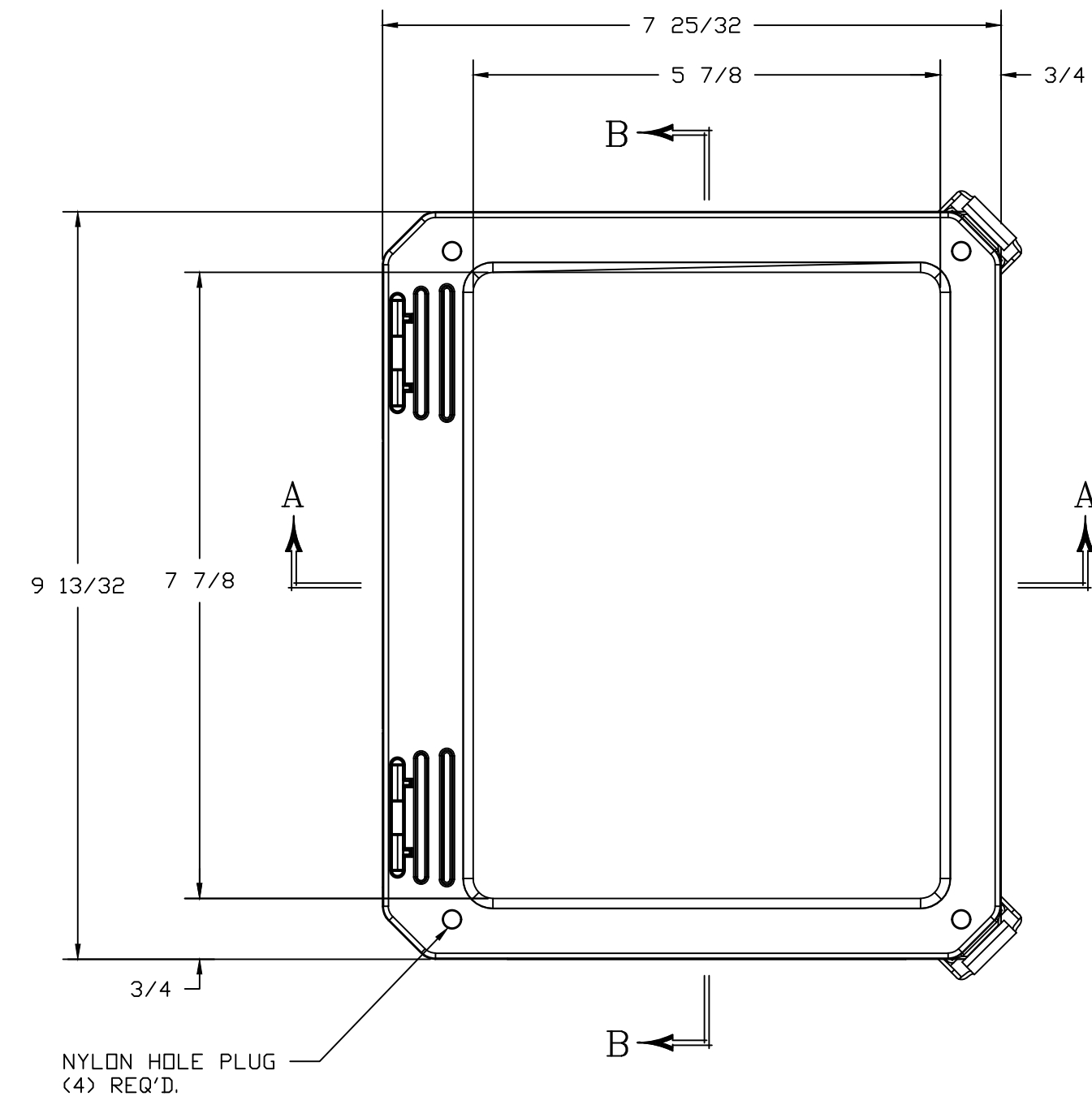
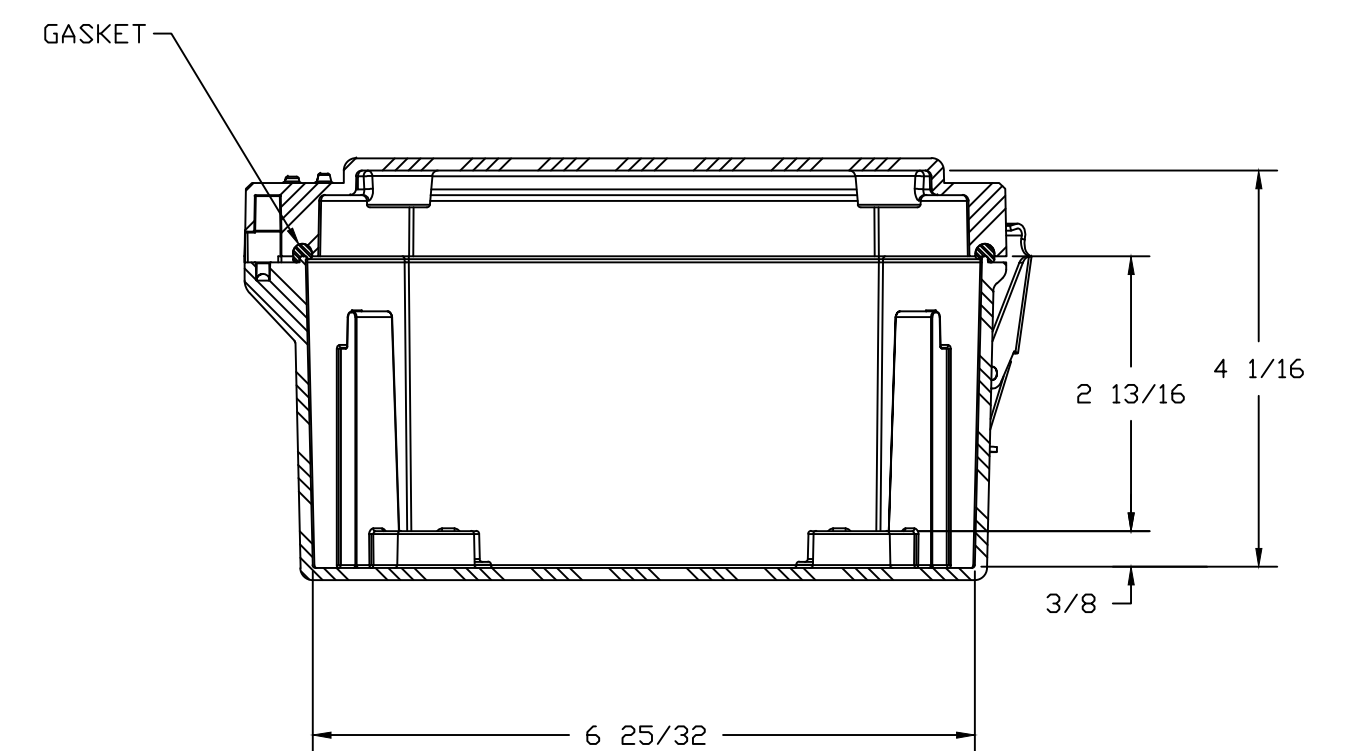
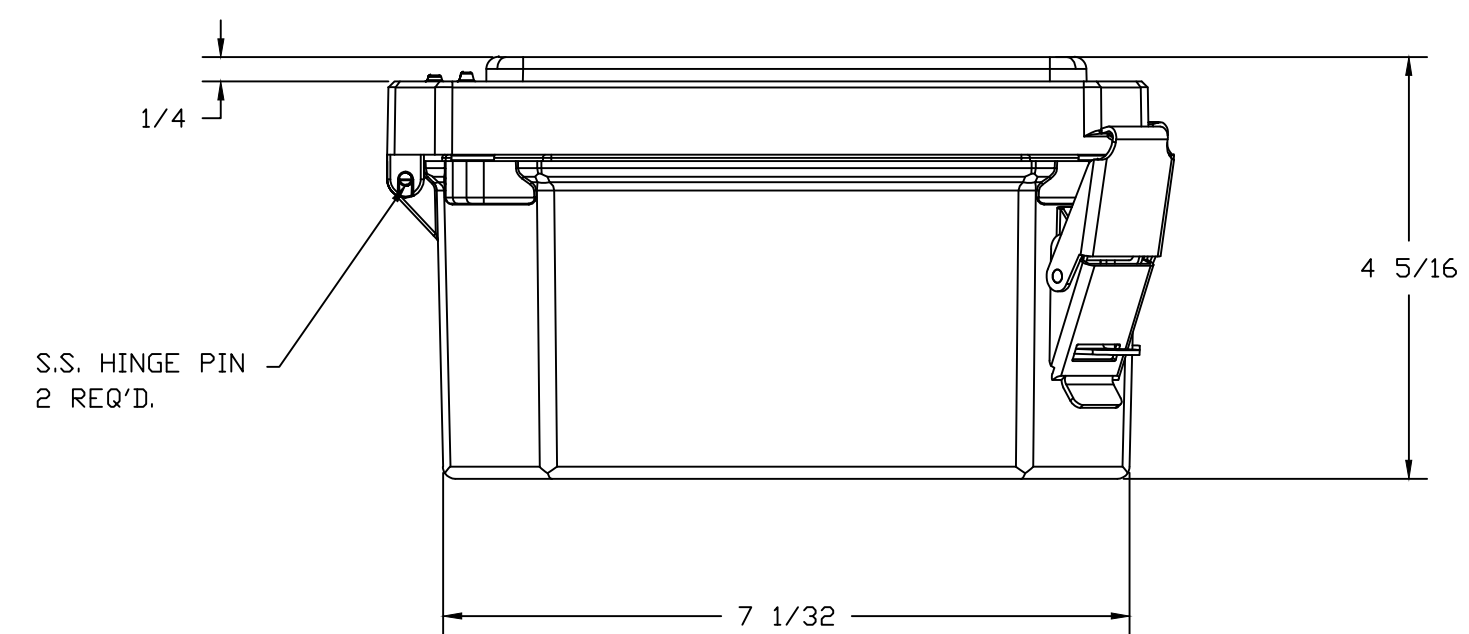


WITH COVER REMOVED




SECTION B-B



SECTION A-A

NOTES:

COLOR: GLACIER GRAY RR1013		TOLERANCES UNLESS SPECIFIED		DECIMAL ± .010	FRACTIONAL ± 1/32
MATERIAL NEMA 1, 3, 3S, 4X, 12, 13 IP66		DR. BY	DATE	 STAHLIN ENCLOSURES DIVISION OF ROBROY INDUSTRIES	
F.R. POLYESTER FIBERGLASS		CHK. BY	DATE		
LET.	REVISION RECORD	DATE	BY	CHD.	APD. BY
					DATE
					CUSTOMER
					AutoCAD DWG. FILE DS80604HPL
					SCALE DO NOT SCALE
					PART NAME ENCLOSURE
					PART NO. DS80604HPL

BELDING, MICHIGAN 48809