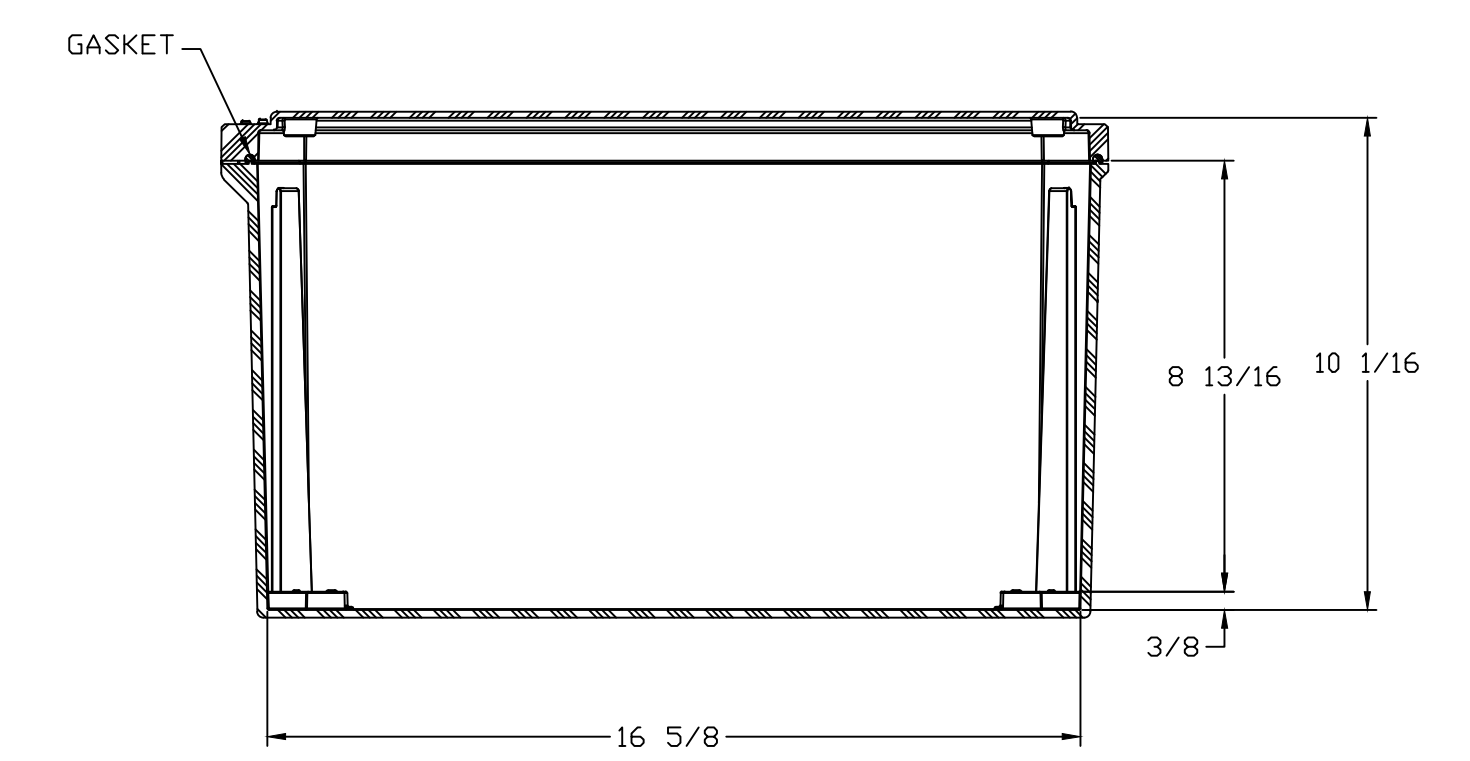
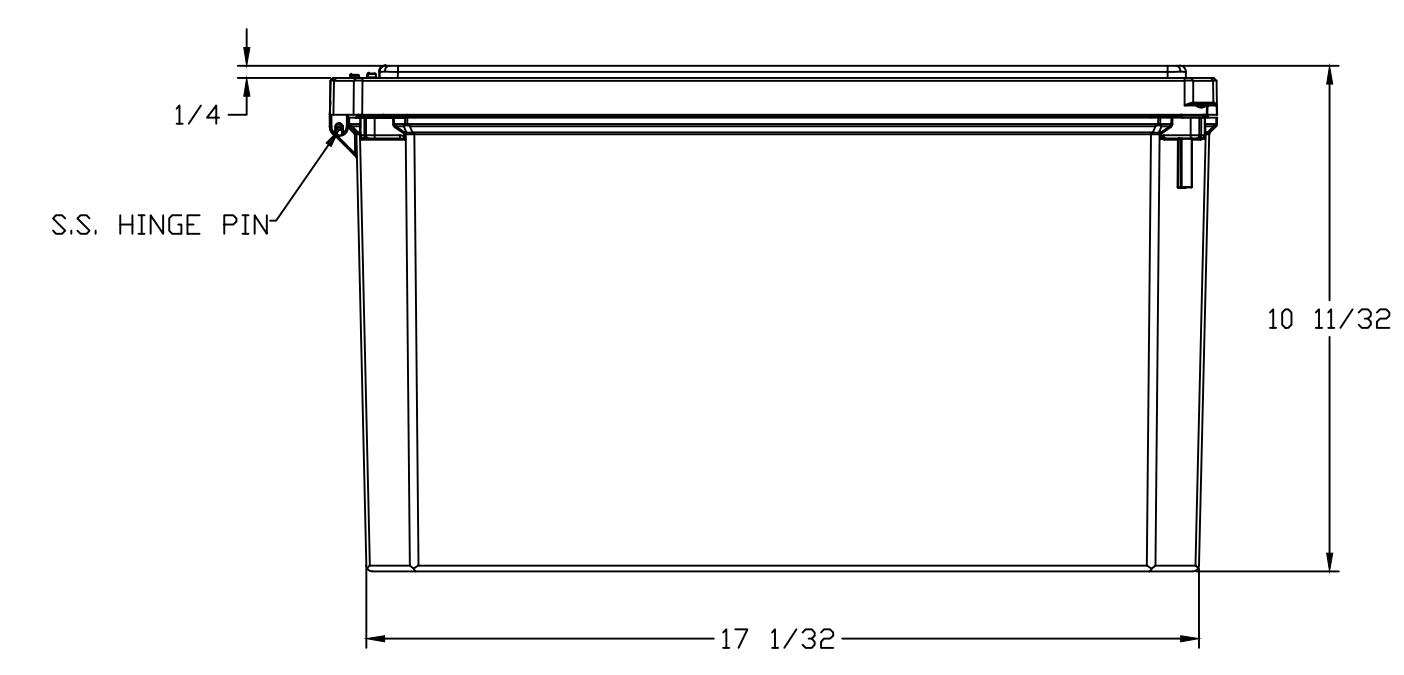



**SECTION B-B**



**SECTION A-A**

NOTES:

NEMA 1, 3, 3S, 4X, 12, 13 IP66		TOLERANCES UNLESS SPECIFIED		DECIMAL ±.010	FRACTIONAL ± 1/32			
COLOR GLACIER GRAY RR1013		DR. BY ZJB	DATE 6/1/03	 <b>STAHLIN ENCLOSURES</b> DIVISION OF ROBROY INDUSTRIES BELDING, MICHIGAN 48809				
MATERIAL F.R. POLYESTER FIBERGLASS		CHK. BY	DATE					
LET.	REVISION RECORD	DATE	BY	CHD.	APD. BY	DATE	CUSTOMER	AutoCAD DWG. FILE DS181610HW
SCALE DO NOT SCALE		PART NAME ENCLASURE		PART NO. DS181610HW				